



GAST MANUFACTURING, INC.
 A Unit of IDEX Corporation
 Post Office Box 97
 Benton Harbor, Michigan
 Ph: 269/926-6171
 Fax: 269/925-8288

PART NUMBER:

RTD120

REV.

C

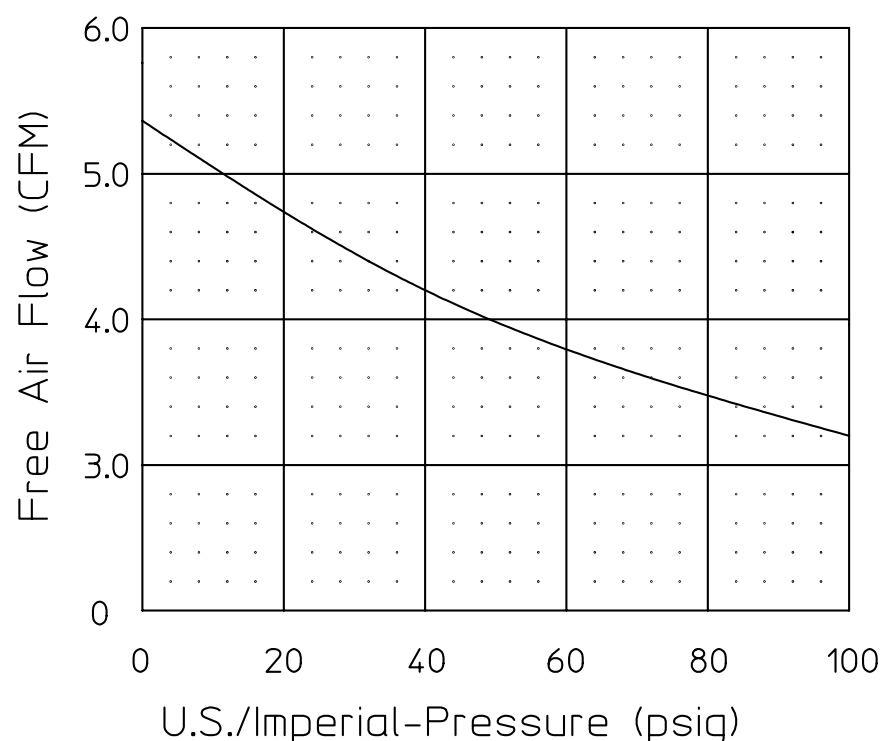
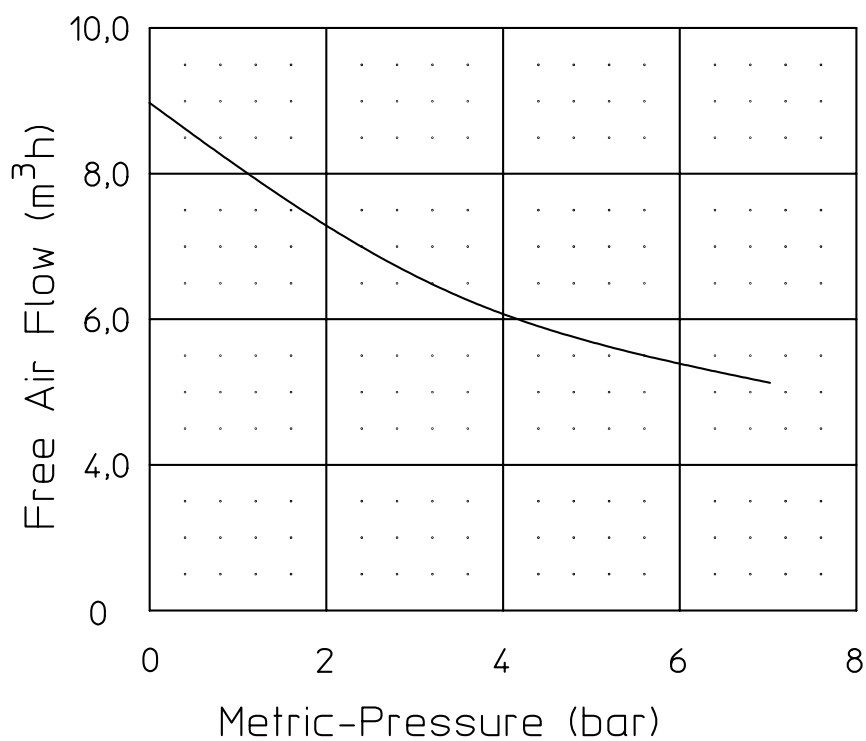
Product Specifications

Model Number	Motor	RPM		HP	kW	Net Wt.	
		60 cycle	50 cycle			lbs.	kg
6HCN-10-M618X	220	----	1425	1	0,74	56.2	25,50

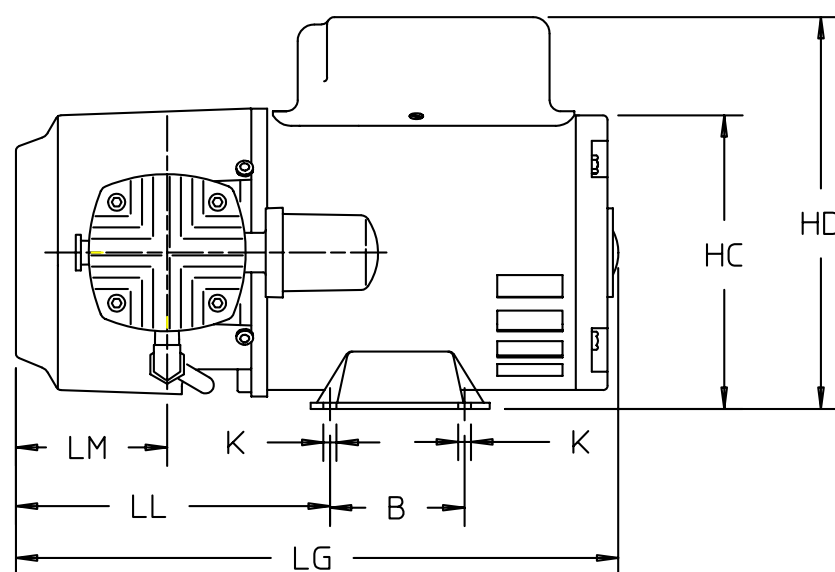
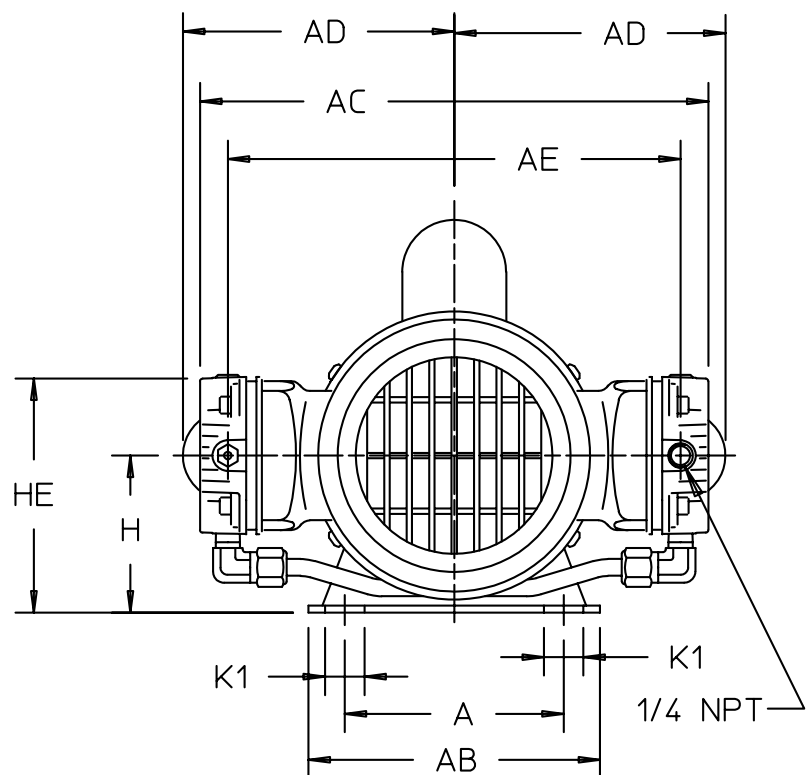
SOUND LEVEL 81 dB(A)
 NORMAL AMBIENT +5 degC - +40 degC
 RELATIVE HUMIDITY 20% - 80%
 ENVIRONMENT Clean Dust Free

- NOTES:
 1. ALL DIMENSIONS ARE FOR REFERENCE USE ONLY.
 2. PRODUCT DIMENSIONS: METRIC (mm).
 3. * = TECHNICAL DATA SUBJECT TO CHANGE WITHOUT NOTICE.
 4. INSTALLATION: THIS PUMP MUST BE INSTALLED IN AN ENCLOSURE.

PRODUCT PERFORMANCE



Model Number	A	AB	AC	AD	AE	AF	B	H	HC	HD	HE	K	K1	LE	LG	LL	LM
6HCN-10-M618X	124	165	290	155	260	--	76	89	169	227	133	9	32	---	442	178	87



NOTES:

- 1. ALL DIMENSIONS ARE FOR REFERENCE USE ONLY.
- 21. TECHNICAL DATA SUBJECT TO CHANGE WITHOUT NOTICE.

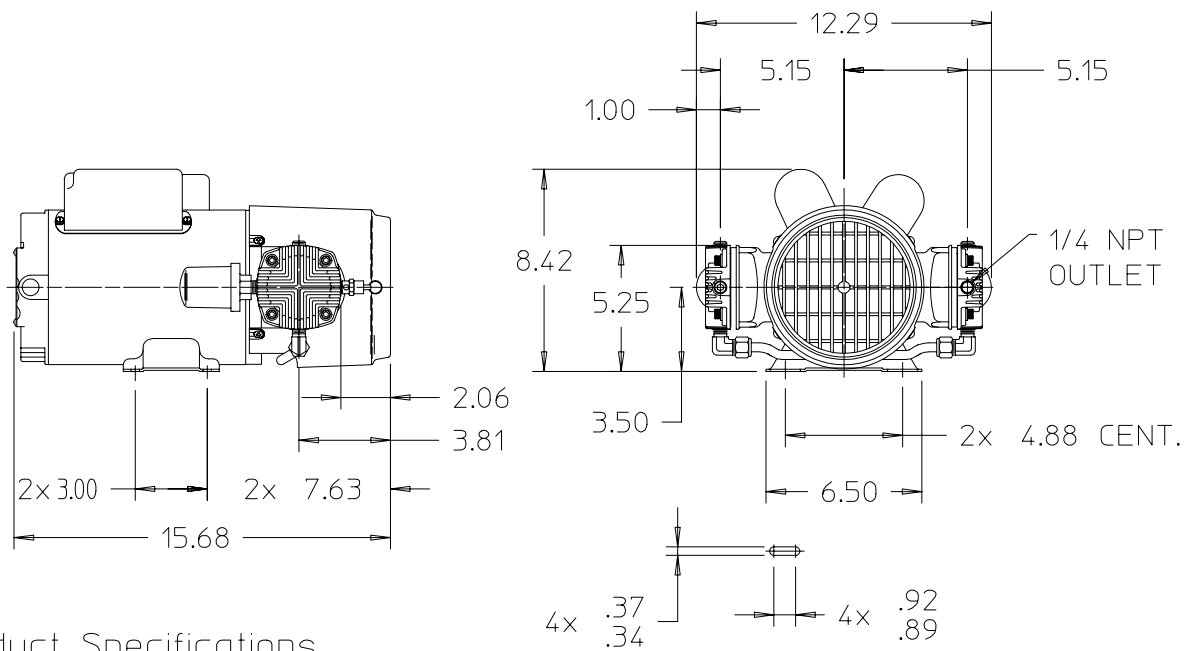
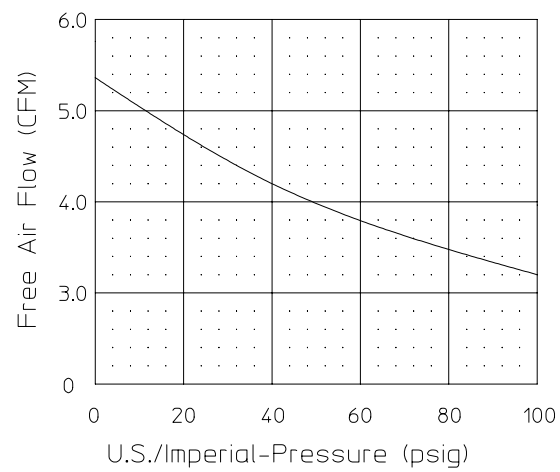
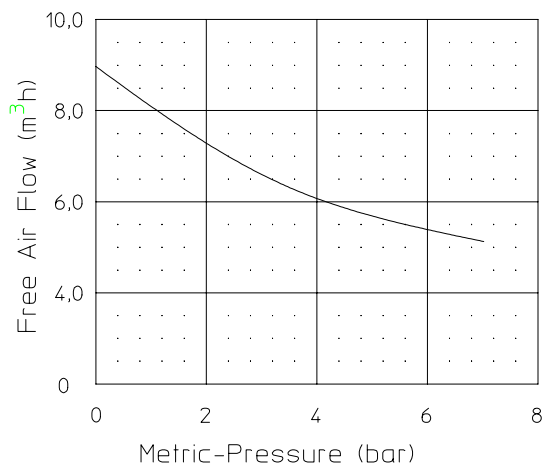


GAST MANUFACTURING, INC.
 A Unit of IDEX Corporation
 Post Office Box 97
 Benton Harbor, Michigan
 Ph: 269/926-6171
 Fax: 269/925-8288

SOUND LEVEL	81 dB(A)
NORMAL AMBIENT	+5 degC - +40 degC
RELATIVE HUMIDITY	20% - 80%
ENVIRONMENT	Clean Dust Free

PART NUMBER:	REV.
RTD397A	A

PRODUCT PERFORMANCE



Product Specifications

Model Number	Motor	RPM		HP	kW	Net Wt.	
		60 cycle	50 cycle			lbs.	kg
6HCA-10-M616NEX	115/230-1	1725	----	1	0,73	60	27,2