



Post Office Box 97  
 Benton Harbor, Michigan  
 Ph: 269/926-6171  
 Fax: 269/925-8288

PART NUMBER:  
 STD148

REV.  
 C

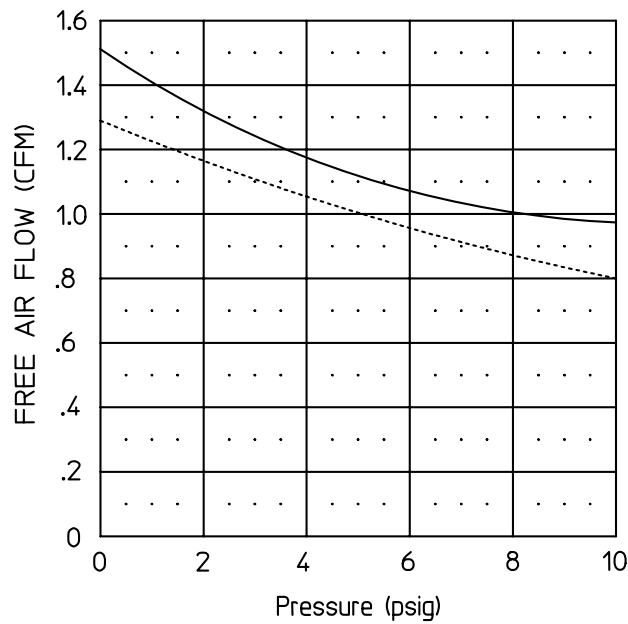
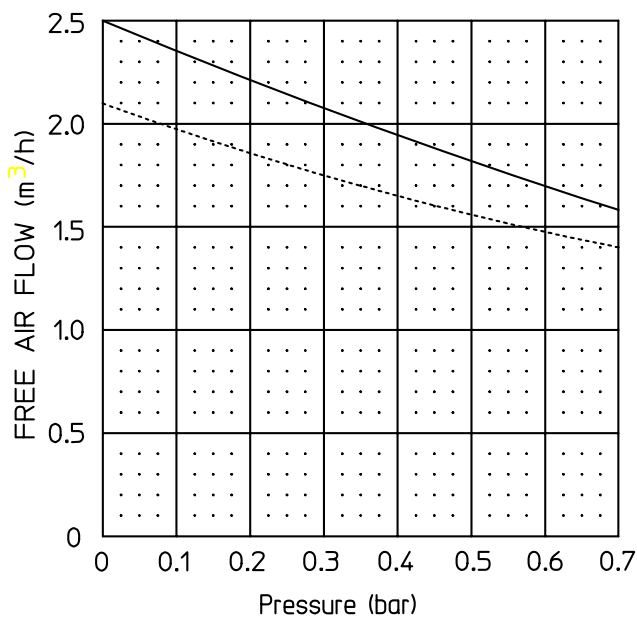
Product Specifications

Model Number	Motor Voltage	RPM		HP	kW	Net Wt.	
		60 cycle	50 cycle			lbs.	kg
1532-101-G289X	220-240/230-1	3450	2850	1/10	.07	8	3.64

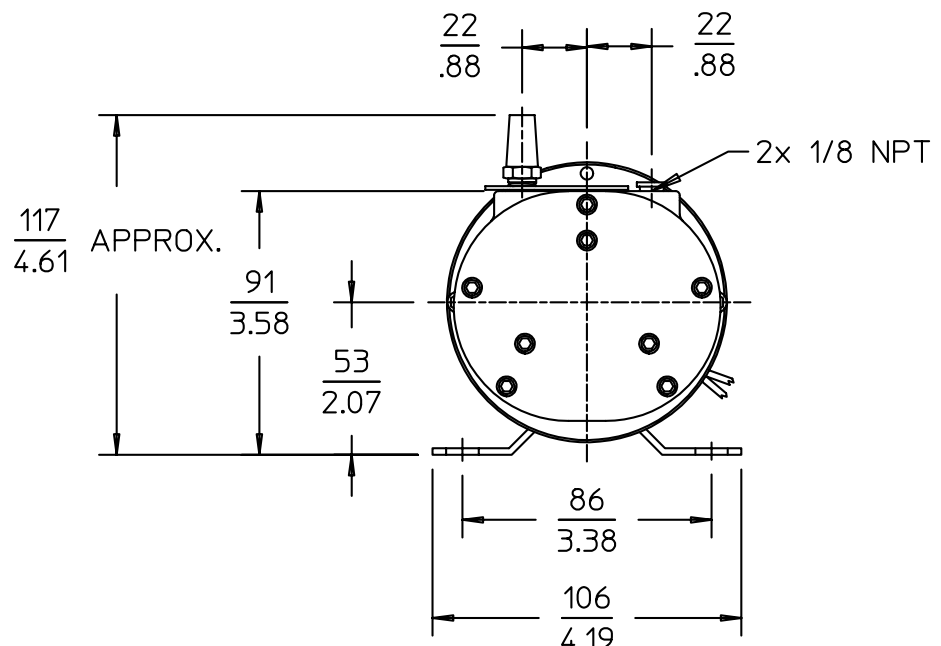
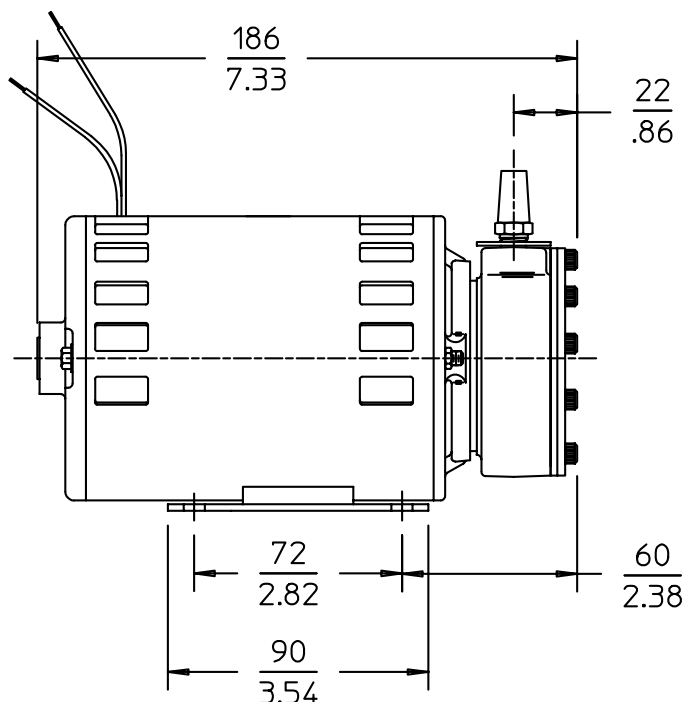
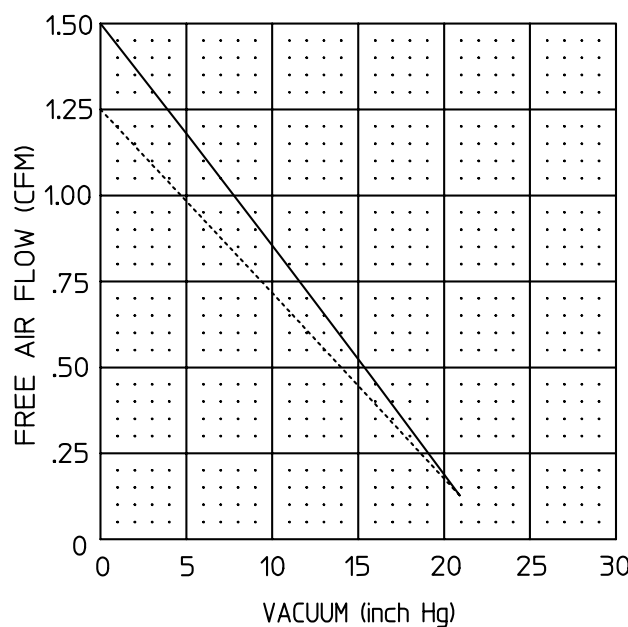
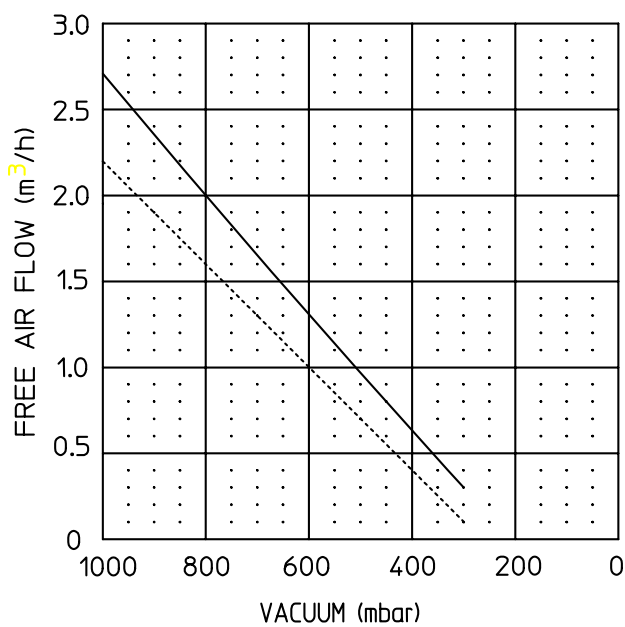
SOUND LEVEL LESS THAN 70 dba  
 NORMAL AMBIENT 1°C. - 40°C.  
 RELATIVE HUMIDITY 8% - 100% NON CONDENSING  
 ENVIRONMENT CLEAN DUST FREE

TECHNICAL DATA SUBJECT TO CHANGE WITHOUT NOTICE.

SOLID LINE IS FOR 60 CYCLE PERFORMANCE. DASHED LINE IS FOR 50 CYCLE PERFORMANCE. DIMENSIONS ARE FOR REFERENCE ONLY UNLESS OTHERWISE TOLERANCED.



THIS PUMP MUST BE WIRED AND ENCLOSED IN CONFORMANCE WITH APPLICABLE LOCAL, STATE, NATIONAL OR INTERNATIONAL REGULATIONS.





Post Office Box 97  
Benton Harbor, Michigan  
Ph: 269/926-6171  
Fax: 269/925-8288

**PART NUMBER:** STD386

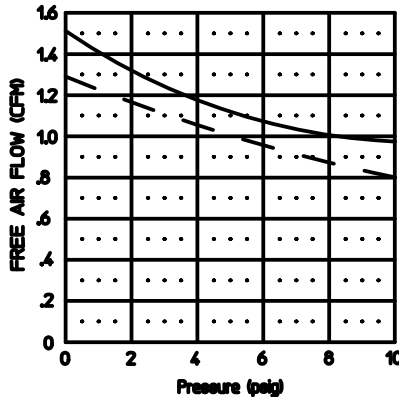
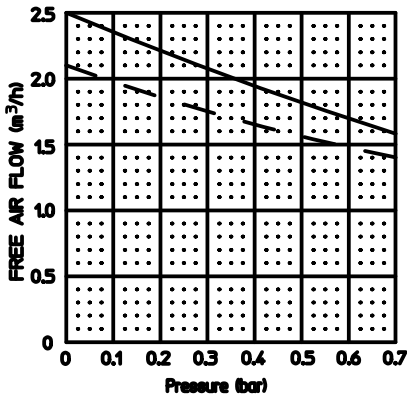
**REVISION:** B

# Product Specifications

Model Number	Motor Voltage		RPM		HP	kW	Net Wt.	
	100/115	100/110	60 cycle	50 cycle			lbs.	kg
1532-101-G288X	100/115	100/110	3450	2850	1/10	.07	8	3.64

SOUND LEVEL LESS THAN 70 dba  
 NORMAL AMBIENT 1°C. - 40°C.  
 RELATIVE HUMIDITY 8% - 100% NON CONDENSING  
 ENVIRONMENT CLEAN DUST FREE

TECHNICAL DATA SUBJECT TO CHANGE WITHOUT NOTICE.  
 SOLID LINE IS FOR 60 CYCLE PERFORMANCE.  
 DASHED LINE IS FOR 50 CYCLE PERFORMANCE.  
 DIMENSIONS ARE FOR REFERENCE ONLY UNLESS OTHERWISE TOLERANCED.



THIS PUMP MUST BE WIRED AND ENCLOSED IN CONFORMANCE WITH APPLICABLE LOCAL, STATE, NATIONAL OR INTERNATIONAL REGULATIONS.

