



GAST MANUFACTURING, INC.
 A Unit of IDEX Corporation
 Post Office Box 97
 Benton Harbor, Michigan
 Ph: 269/926-6171
 Fax: 269/925-8288

PART NUMBER:

STD472

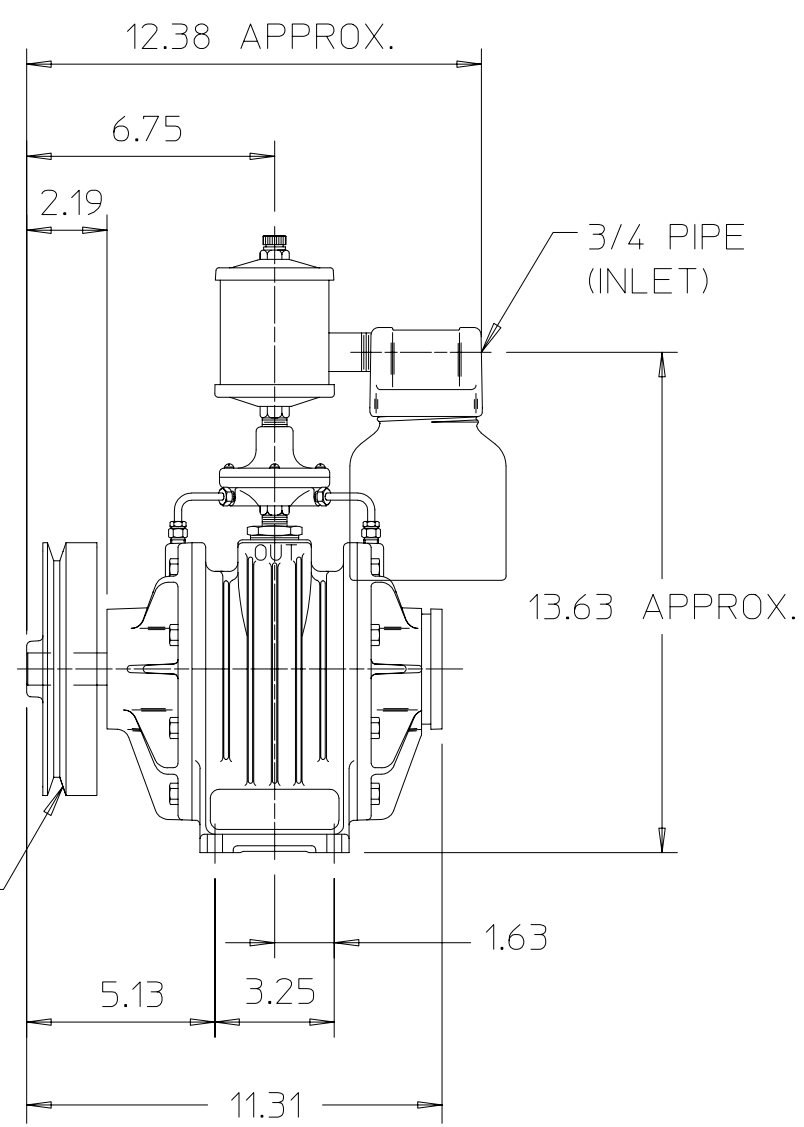
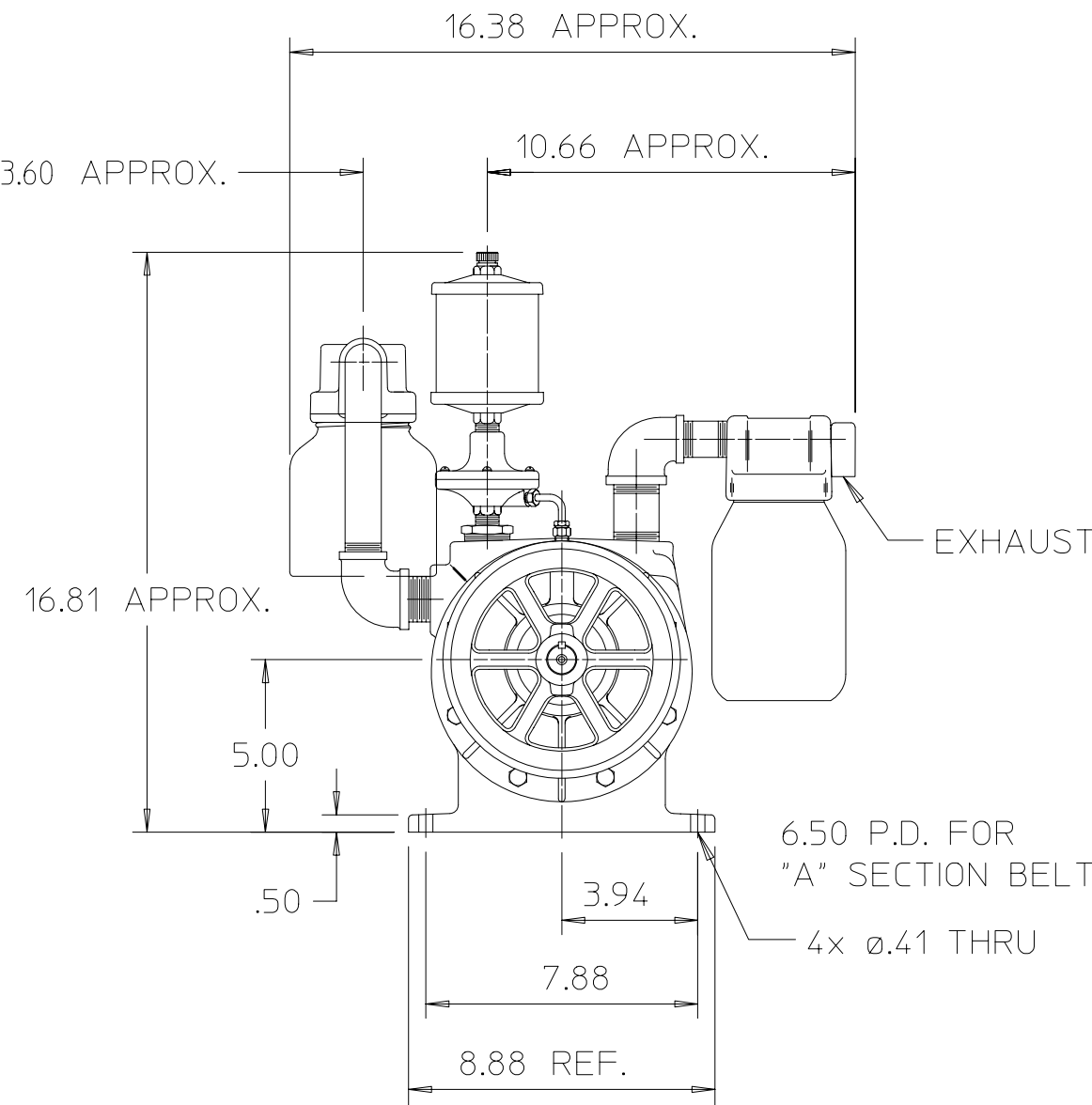
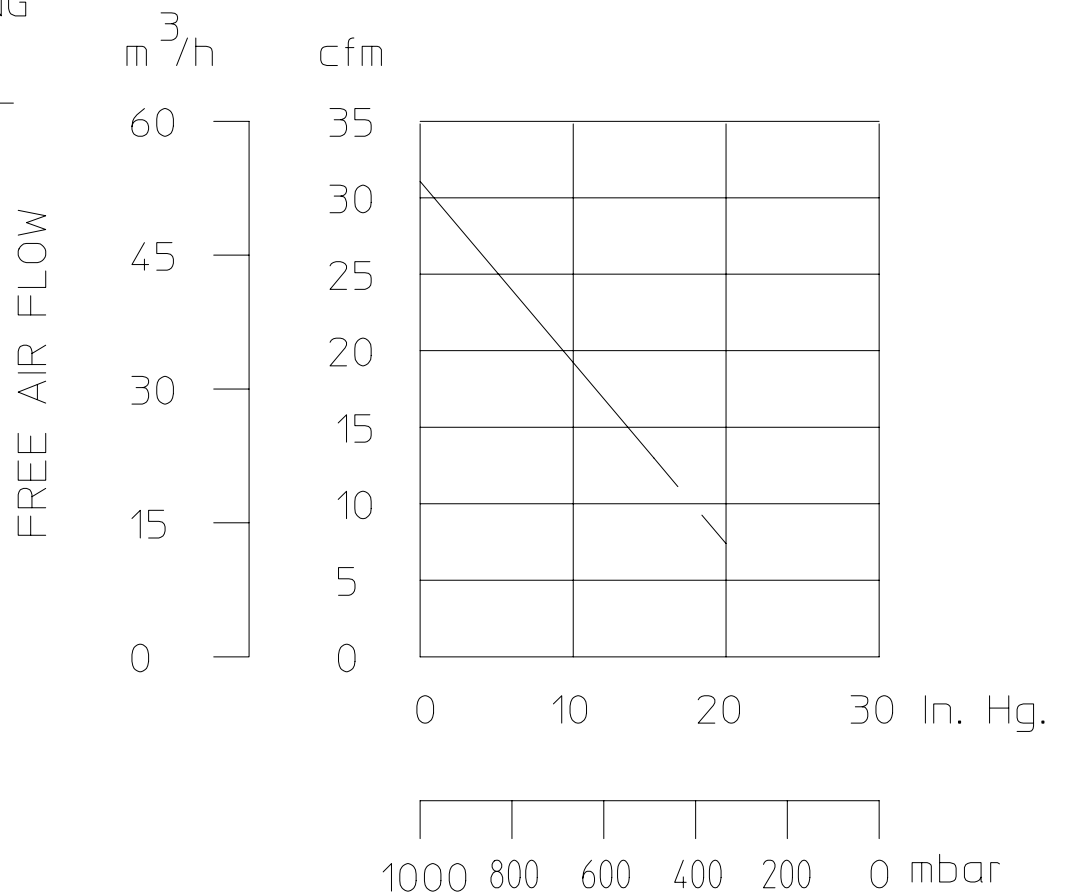
REV.:

A

NOTES:

1. TECHNICAL DATA SUBJECT TO CHANGE WITHOUT NOTICE.
2. DASHED LINES INDICATES INTERMITTENT PERFORMANCE.

SOUND LEVEL 81 dB(A) MAX.
 NORMAL AMBIENT +1 degC - +40 degC
 RELATIVE HUMIDITY 8% - 100% NON-CONDENSING
 ENVIRONMENT CLEAN DUST FREE



MUFFLER ASS'Y. NOT SHOWN THIS VIEW.

Product Specifications

Model Number	RPM	HP	kW	Net Wt.	
				lbs.	kg
3040-V20B	1325	1.5	1.1	69	31.1