

Post Office Box 97
 Benton Harbor, Michigan
 Ph: 269/926-6171
 Fax: 269/925-8288

PART NUMBER:

STD239

REV.

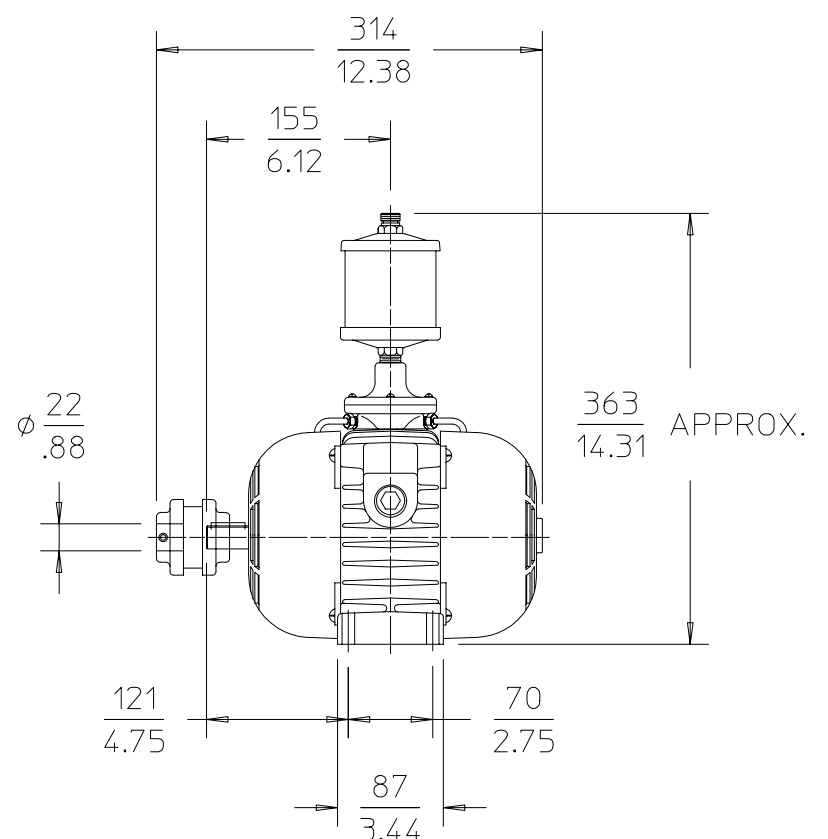
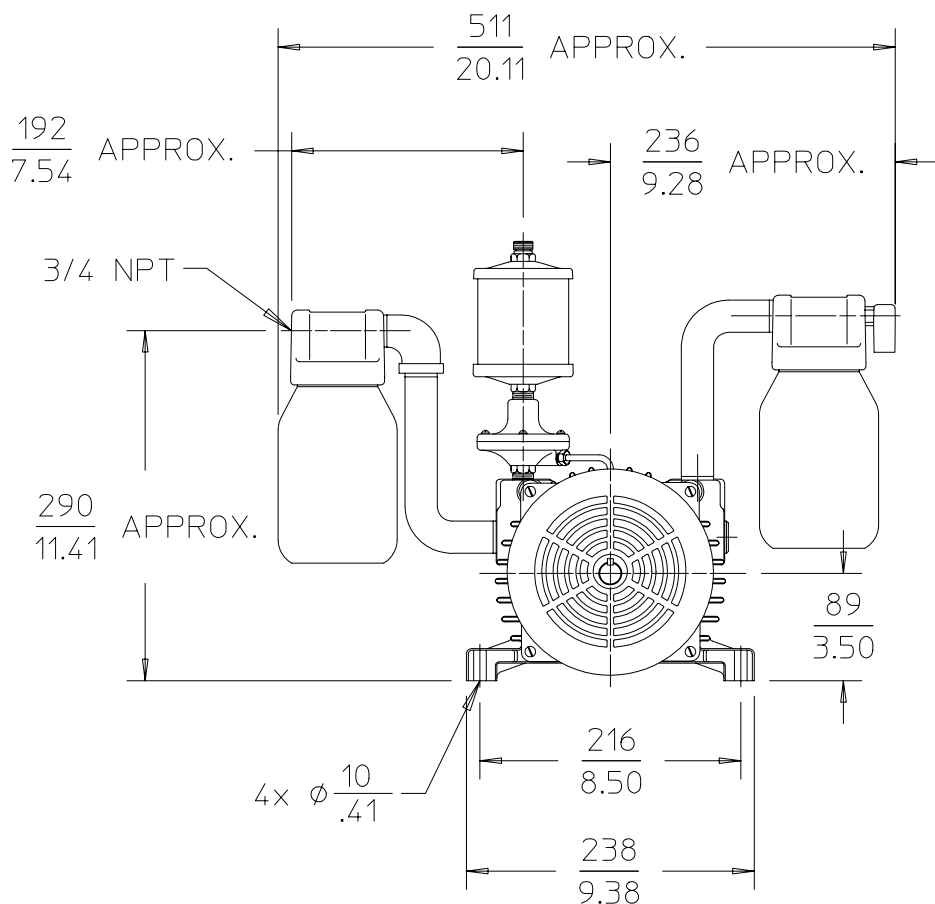
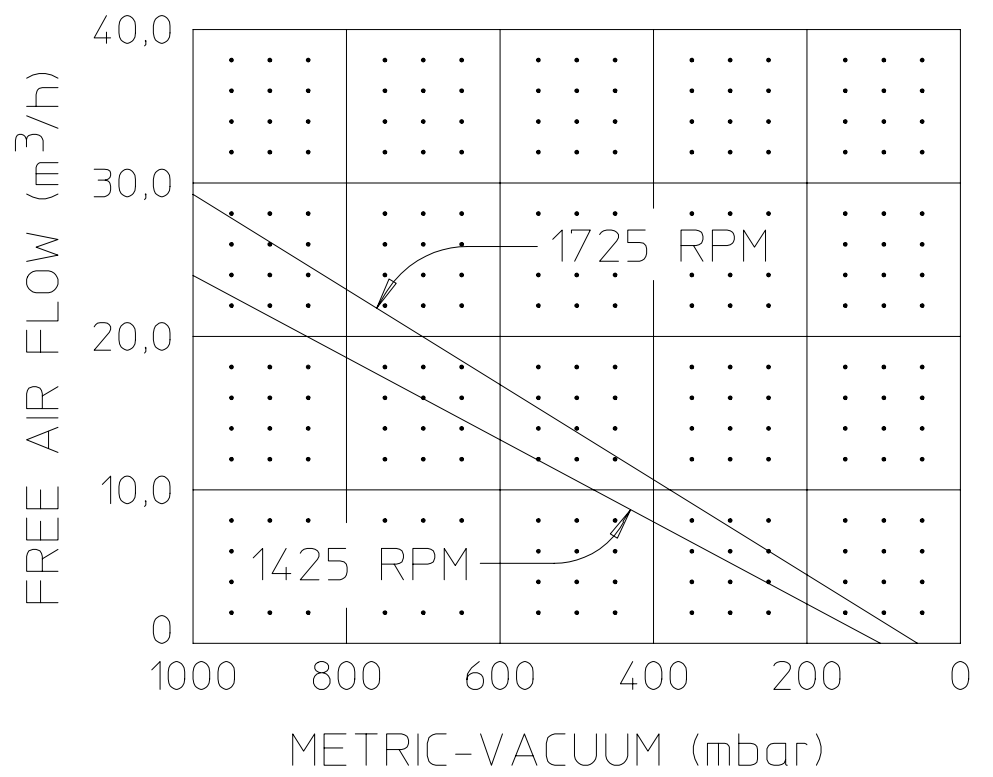
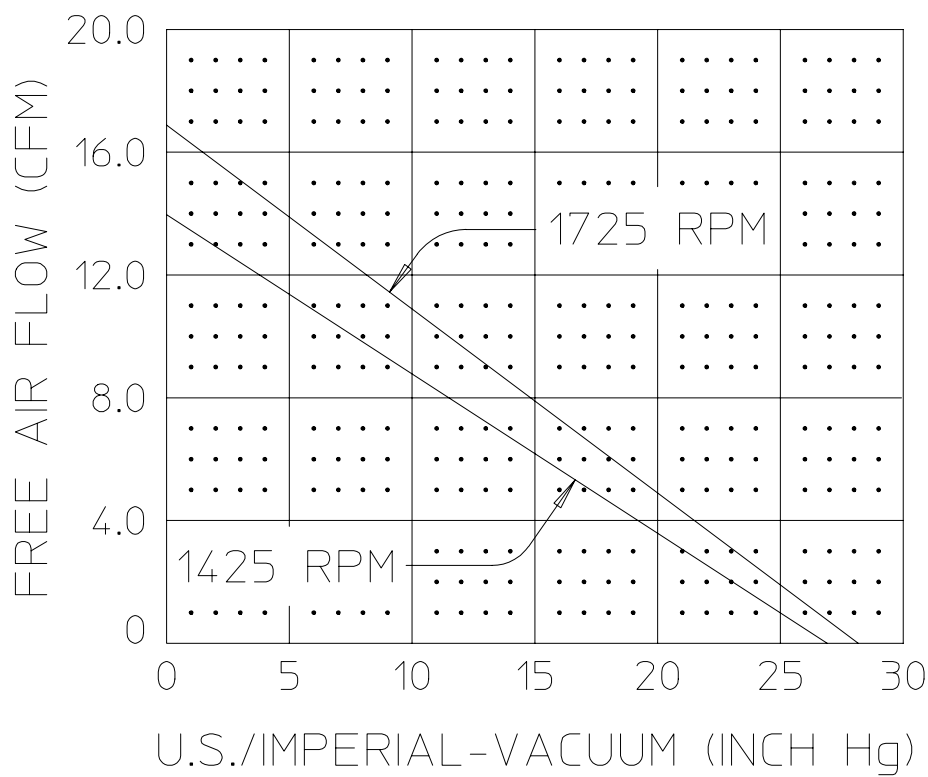
B

Product Specifications

MODEL NUMBER	RPM		HP	kW	NET WT.	
	60 cycle	50 cycle			lbs.	kg
2065-V2A	1725	1425	1.0	0,75	43	19,5
* 2065-V83	1725	1425	1.0	0,75	43	19,5

SOUND LEVEL 77 dB(A) MAX.
 NORMAL AMBIENT 1°C - 40°C
 RELATIVE HUMIDITY 8% - 100% NON CONDENSING
 ENVIRONMENT CLEAN DUST FREE

NOTES:
 1. TECHNICAL DATA SUBJECT TO CHANGE WITHOUT NOTICE.



VIEW LESS MUFFLER