



Post Office Box 97
Benton Harbor, Michigan
Ph: 269/926-6171
Fax: 269/925-8288

PART NUMBER:

STD243

REVISION:

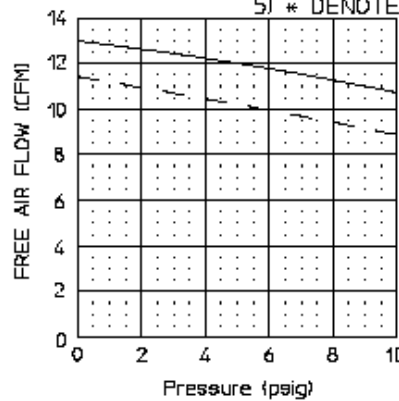
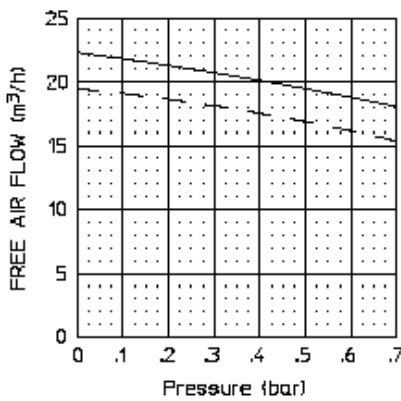
H

Model Number	Motor Voltage	RPM		HP	kW	Net Wt.		DIM. "A"	DIM. "B"
		60 cycle	50 cycle			lbs.	kg		
***1423-1010-G625	208-230/460 220-240/380-415	1725	1425	1.0	0.75	54.5	24.7	430.5/16.95	N/A
1423-1010-G626X * 1423-1060-G626X	100-115/200-230	1725	1425	1.0	0.75	54.5	24.7	430.5/16.95	209/8.22
** 1423-1050-G626X	100-115/200-230	1725	1425	1.0	0.75	54.5	24.7	430.5/16.95	209/8.22

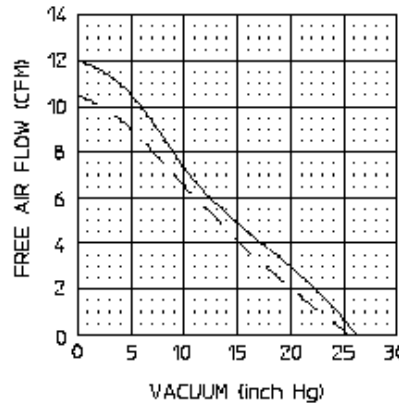
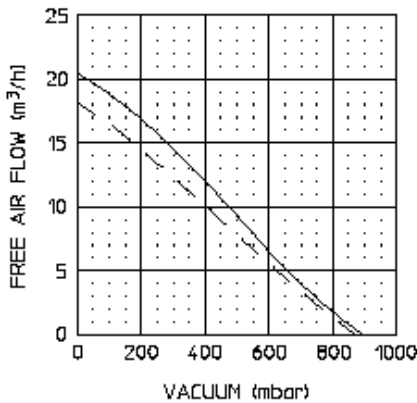
SOUND LEVEL 79 dB(A), LESS MUFFLER
 NORMAL AMBIENT 1°C. - 40°C.
 RELATIVE HUMIDITY 8% - 100% NON CONDENSING
 ENVIRONMENT CLEAN DUST FREE

NOTES:

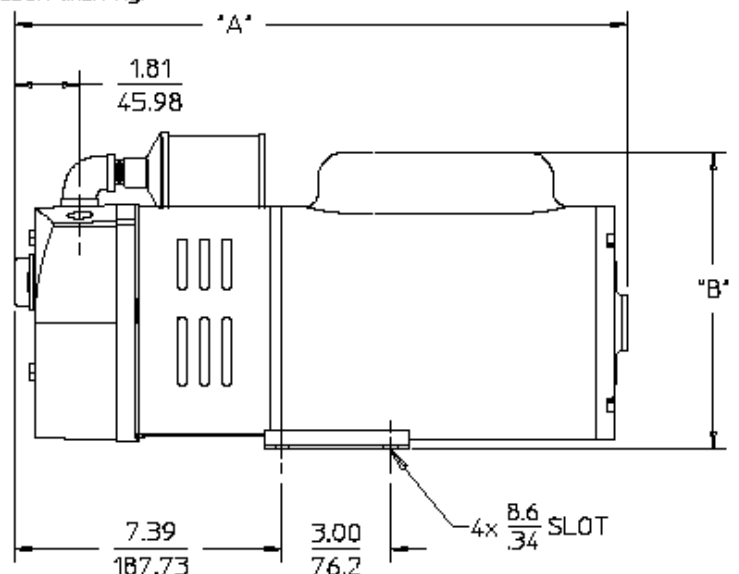
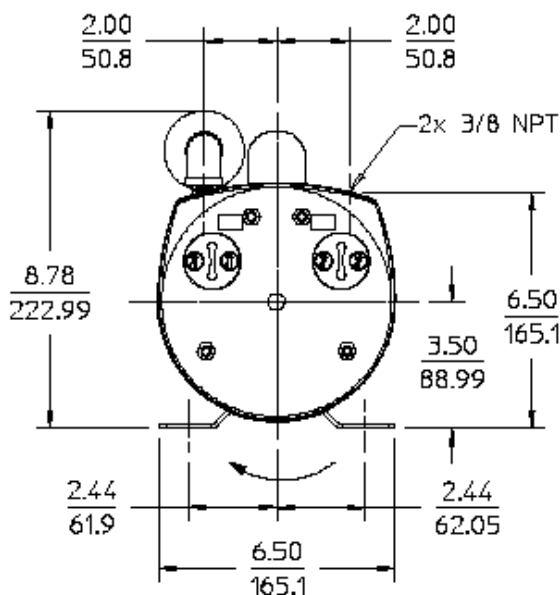
- 1) TECHNICAL DATA SUBJECT TO CHANGE WITHOUT NOTICE.
- 2) SOLID LINE IS FOR 60 CYCLE PERFORMANCE.
- 3) DASHED LINE IS FOR 50 CYCLE PERFORMANCE.
- 4) DIMENSIONS ARE FOR REFERENCE ONLY UNLESS OTHERWISE TOLERANCED.
- 5) * DENOTES INACTIVE.



**THIS UNIT HAS A LARGER BORE THAN A GAST STANDARD UNIT. THIS UNIT WILL REACH 60 Hz PERFORMANCE WHEN WIRED FOR HIGH VOLTAGE (50 Hz).



***THIS PUMP MUST BE WIRED AND ENCLOSED IN CONFORMANCE WITH APPLICABLE LOCAL, STATE, NATIONAL OR INTERNATIONAL REGULATIONS.





Post Office Box 97
 Benton Harbor, Michigan
 Ph: 269/926-6171
 Fax: 269/925-8288

PART NUMBER:

STD243

REVISION:

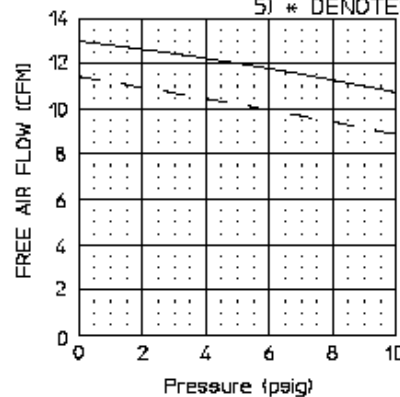
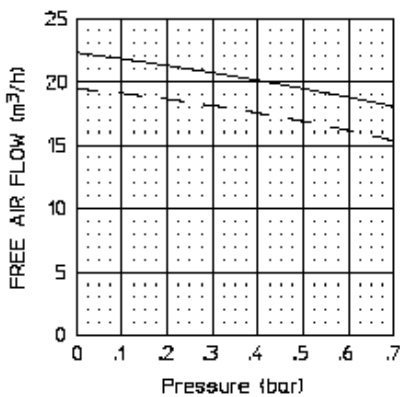
H

Model Number	Motor Voltage	RPM		HP	kW	Net wt.		DIM. "A"	DIM. "B"
		60 cycle	50 cycle			lbs.	kg		
***1423-1010-G625	208-230/460 220-240/380-415	1725	1425	1.0	0.75	54.5	24.7	430.5/16.95	N/A
1423-1010-G626X * 1423-1060-G626X	100-115/200-230	1725	1425	1.0	0.75	54.5	24.7	430.5/16.95	209/8.22
** 1423-1050-G626X	100-115/200-230	1725	1425	1.0	0.75	54.5	24.7	430.5/16.95	209/8.22

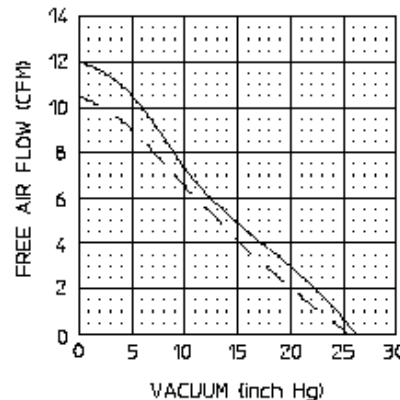
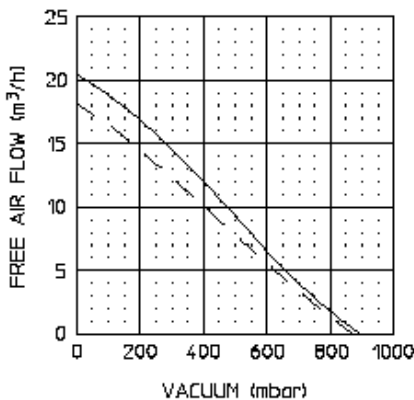
SOUND LEVEL 79 dB(A), LESS MUFFLER
 NORMAL AMBIENT 1°C. - 40°C.
 RELATIVE HUMIDITY 8% - 100% NON CONDENSING
 ENVIRONMENT CLEAN DUST FREE

NOTES:

- 1) TECHNICAL DATA SUBJECT TO CHANGE WITHOUT NOTICE.
- 2) SOLID LINE IS FOR 60 CYCLE PERFORMANCE.
- 3) DASHED LINE IS FOR 50 CYCLE PERFORMANCE.
- 4) DIMENSIONS ARE FOR REFERENCE ONLY UNLESS OTHERWISE TOLERANCED.
- 5) * DENOTES INACTIVE.



**THIS UNIT HAS A LARGER BORE THAN A GAST STANDARD UNIT. THIS UNIT WILL REACH 60 Hz PERFORMANCE WHEN WIRED FOR HIGH VOLTAGE (50 Hz).



***THIS PUMP MUST BE WIRED AND ENCLOSED IN CONFORMANCE WITH APPLICABLE LOCAL, STATE, NATIONAL OR INTERNATIONAL REGULATIONS.

