



Post Office Box 97  
Benton Harbor, Michigan  
Ph: 269/926-6171  
Fax: 269/925-8288

PART NUMBER:

STD230

REV.:

B

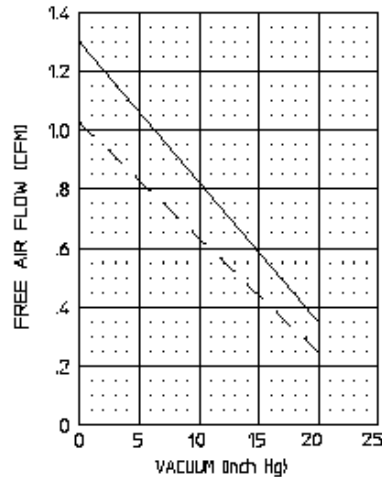
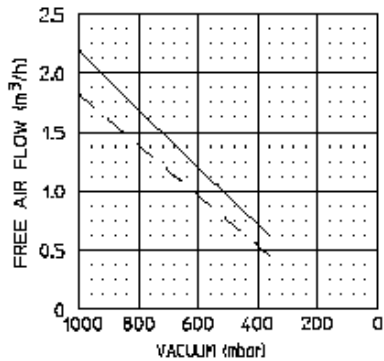
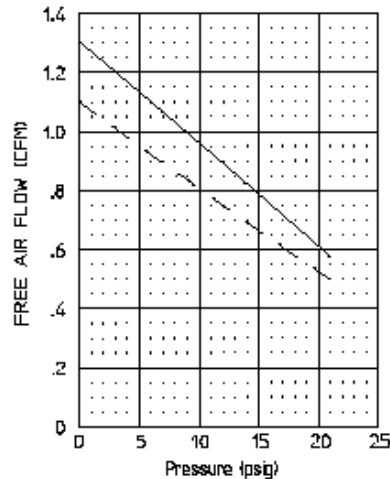
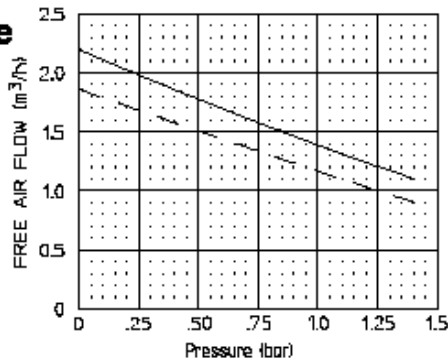
Model Number	Motor Voltage	RPM		HP	kW	Net Wt.	
		60 cycle	50 cycle			lbs.	kg
0211-V45F-G8CX	115	1725	N/A	1/6	0.13	19	8.6
0211-V45F-G230CX	220	N/A	1425	1/6	0.13	19	8.6
* 0211-V45R-G230CX	220	N/A	1425	1/6	0.13	19	8.6

SOUND LEVEL LESS THAN 70 dB(A)  
 NORMAL AMBIENT 1°C. - 40°C.  
 RELATIVE HUMIDITY 8% - 100% NON CONDENSING  
 ENVIRONMENT CLEAN DUST FREE

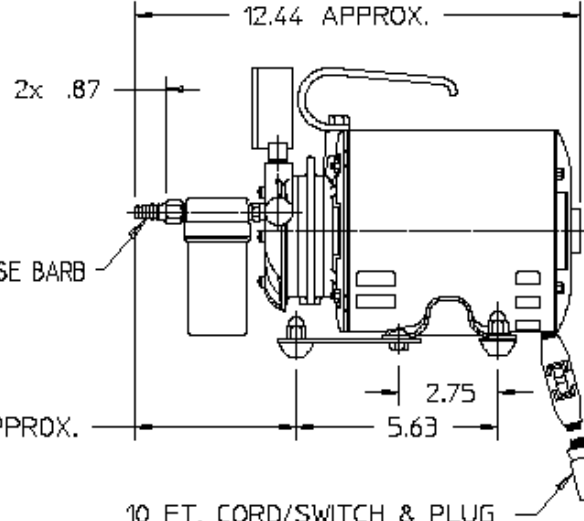
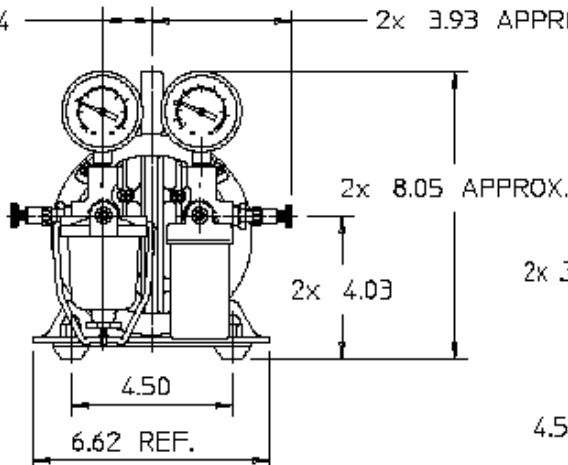
NOTES:

1. TECHNICAL DATA SUBJECT TO CHANGE WITHOUT NOTICE.
2. SOLID LINE IS FOR 60 CYCLE PERFORMANCE.  
DASHED LINE IS FOR 50 CYCLE PERFORMANCE.
3. \* DENOTES INACTIVE.

**Product Performance**



2x 1.34      2x 3.93 APPROX.





Post Office Box 97  
 Benton Harbor, Michigan  
 Ph: 269/926-6171  
 Fax: 269/925-8288

PART NUMBER:  
**STD250**

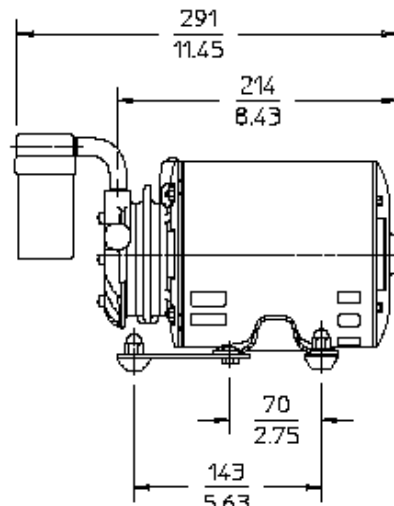
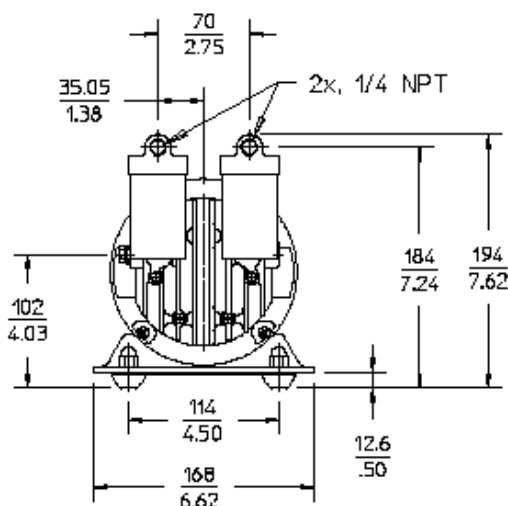
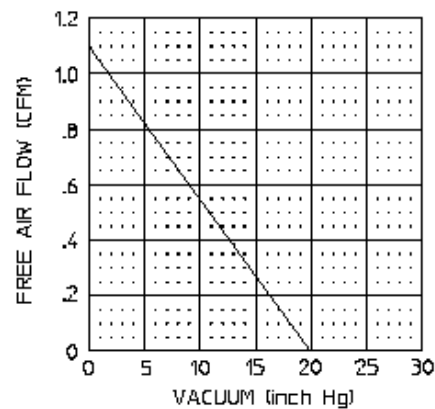
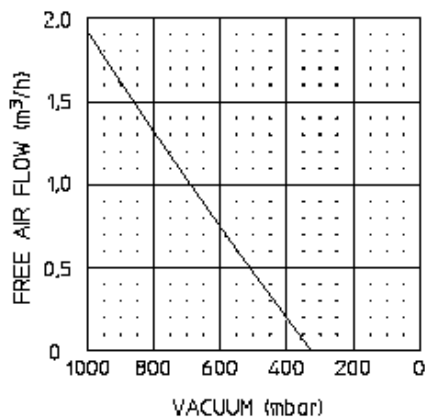
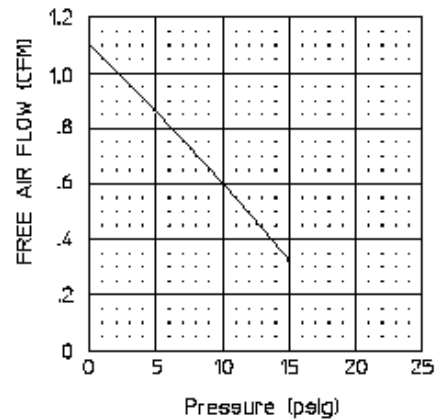
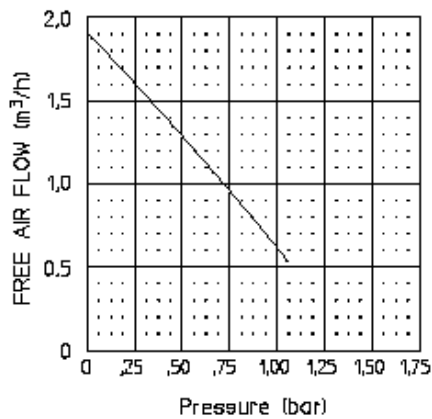
REV.  
**A**

Product Specifications

Model Number	Motor Voltage	RPM		HP	kW	Net Wt.	
		60 cycle	50 cycle			lbs.	kg
0211-103A-GBCX	115	1725	N/A	1/6	0,12	17	7,72

SOUND LEVEL LESS THAN 70 dB(A)  
 NORMAL AMBIENT 1°C. - 40°C.  
 RELATIVE HUMIDITY 8% - 100% NON CONDENSING  
 ENVIRONMENT CLEAN DUST FREE

TECHNICAL DATA SUBJECT TO CHANGE WITHOUT NOTICE.  
 DIMENSIONS ARE FOR REFERENCE ONLY UNLESS OTHERWISE TOLERANCED.





Post Office Box 97  
 Benton Harbor, Michigan  
 Ph: 269/926-6171  
 Fax: 269/925-8288

PART NUMBER:

STD230A

REV.:

A

Model Number	Motor Voltage	RPM		HP	kW	Net Wt.	
		60 cycle	50 cycle			lbs.	kg
0211-V36A-G8CX	115	1725	N/A	1/6	0.13	19	8.6

SOUND LEVEL LESS THAN 70 dB(A)  
 NORMAL AMBIENT 1°C. - 40°C.  
 RELATIVE HUMIDITY 8% - 100% NON CONDENSING  
 ENVIRONMENT CLEAN DUST FREE

NOTES:

1. TECHNICAL DATA SUBJECT TO CHANGE WITHOUT NOTICE.
2. SOLID LINE IS FOR 60 CYCLE PERFORMANCE.  
 DASHED LINE IS FOR 50 CYCLE PERFORMANCE.

**Product Performance**

