



GAST MANUFACTURING, INC.
 A Unit of IDEX Corporation
 Post Office Box 97
 Benton Harbor, Michigan
 Ph: 269/926-6171
 Fax: 269/925-8288

PART NUMBER:
 LTD148

REV.
 G

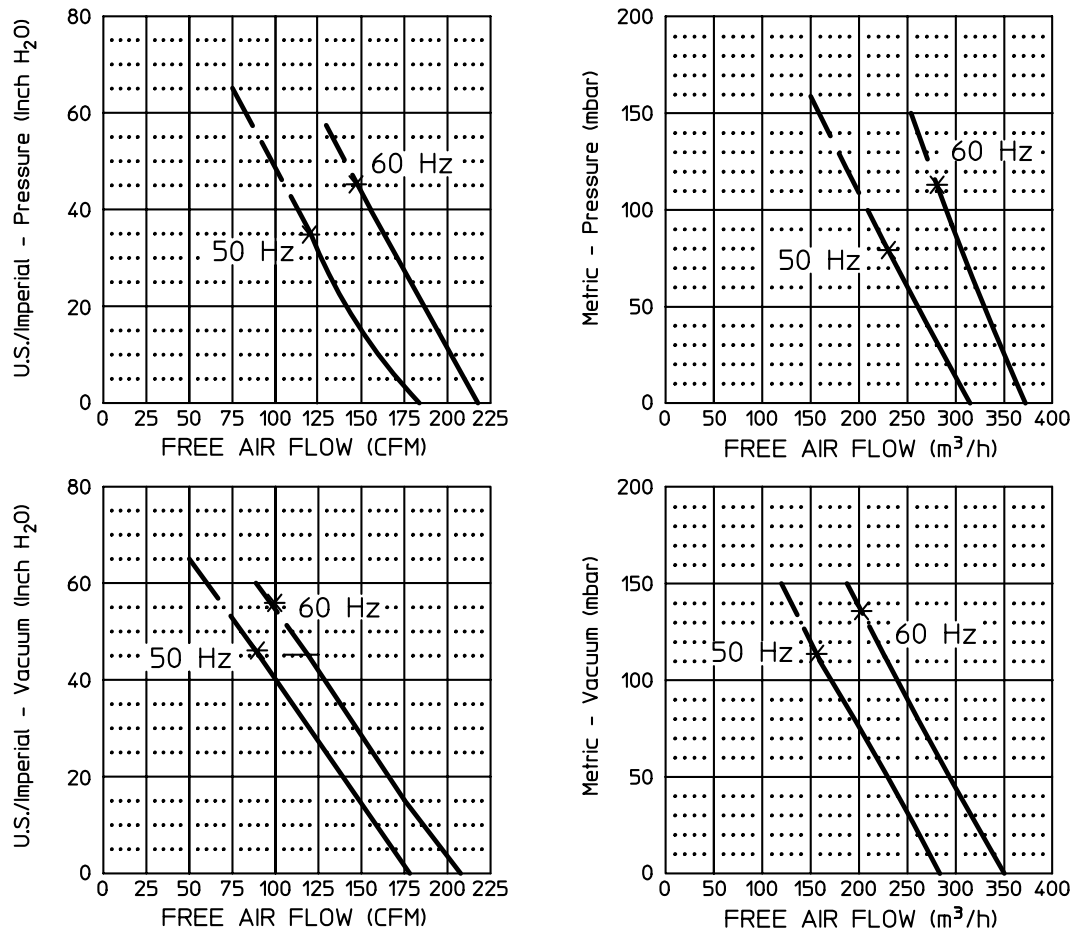
Product Specifications

| MODEL NUMBER | MOTOR SPECIFICATIONS | RPM | MAX VAC | | MAX PRESS | | HP | kW | NET WT. | |
|--------------|----------------------|------|-------------------|------|-------------------|------|-----|-----|---------|------|
| | | | "H ₂ O | mbar | "H ₂ O | mbar | | | lbs. | kg |
| R6125-2 | 110/220-240-50-1 | 2850 | 45 | 112 | 35 | 87 | 1.5 | 1,1 | 87 | 39,5 |
| | 115/208-230-60-1 | 3450 | 55 | 137 | 45 | 112 | 2.5 | 1,9 | | |

SOUND LEVEL 72/69 dB(A) MAX. @ 60/50 Hz
 NORMAL AMBIENT -29°C TO 40°C
 RELATIVE HUMIDITY 0% - 100% NON CONDENSING
 ENVIRONMENT CLEAN DUST FREE

TECHNICAL DATA SUBJECT TO
 CHANGE WITHOUT NOTICE.

Product Performance (Metric U.S. Imperial)



PERFORMANCE DATA
 THE PERFORMANCE DATA SHOWN WAS DETERMINED
 UNDER THE FOLLOWING CONDITIONS:

LINE VOLTAGE @ 60 Hz. 230V OR 460V FOR 3 PHASE
 UNITS. 115V OR 230V FOR 1 PHASE UNITS.

LINE VOLTAGE @ 50 Hz. 220V FOR 3 PHASE OR 1
 PHASE UNITS.

UNITS IN A TEMPERATURE STABLE CONDITION.

DELIVERY MEASUREMENTS MADE WITH OUTPUT PORT
 THROTTLED.

SUCTION MEASUREMENTS MADE WITH INPUT PORT
 THROTTLED.

TEST CONDITIONS: INLET AIR DENSITY @ 0.075 lbs. per
 cu. ft. [20°C (68°F), 29.92" Hg (14.7 PSIA)].

NORMAL PERFORMANCE VARIATIONS ON THE RESISTANCE
 CURVE WITHIN ±10% OF SUPPLIED DATA CAN BE EXPECTED.

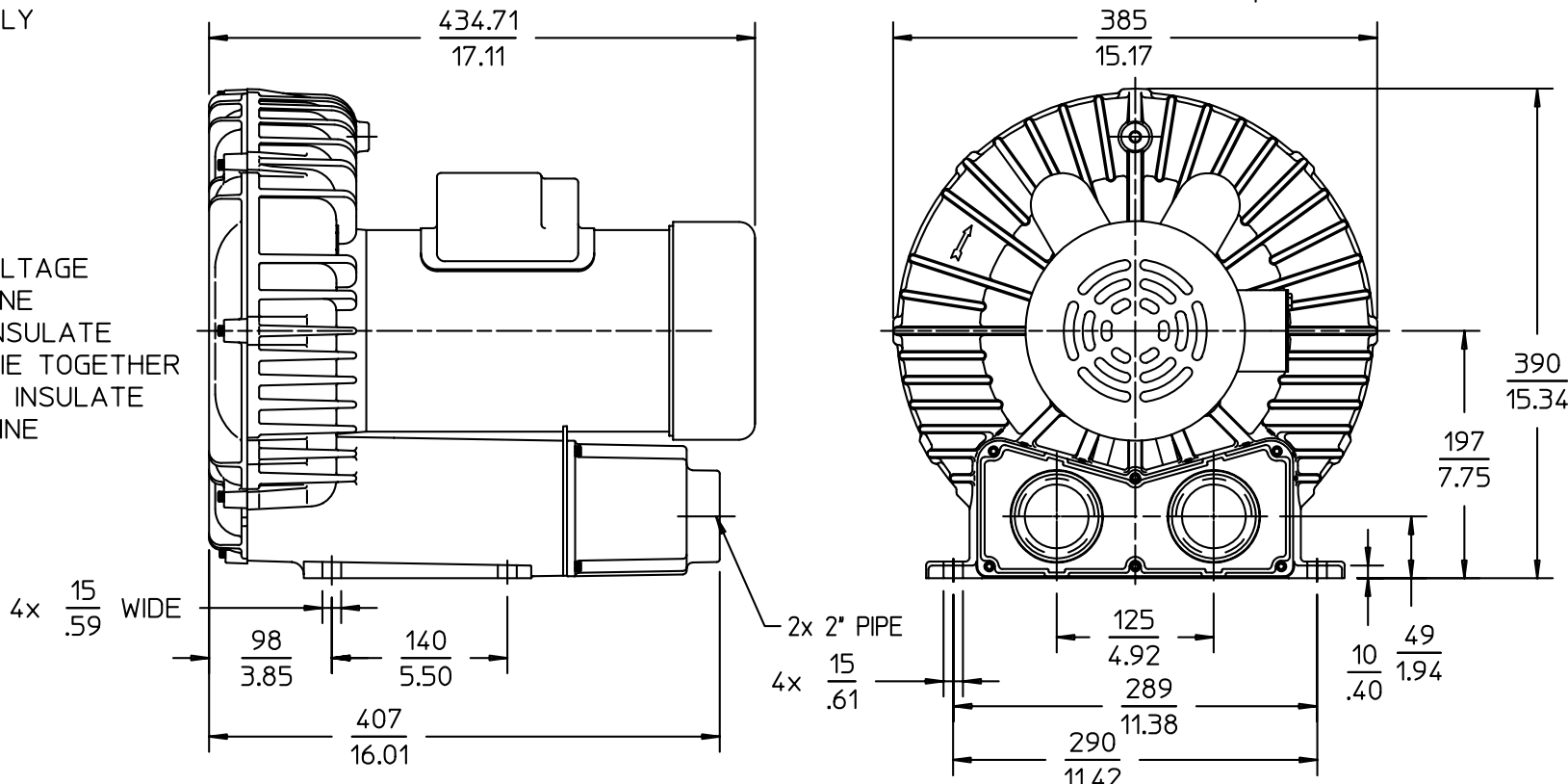
* DENOTES RECOMMENDED
 MAXIMUM DUTY
 ---- INTERMITTENT DUTY ONLY

Product Dimensions

Metric (mm) / U.S. Imperial (inches)

WIRING DIAGRAM

| | |
|-------------------|-------------------|
| LOW VOLTAGE | HIGH VOLTAGE |
| P1 — LINE | P1 — LINE |
| P2 — TIE TOGETHER | P2 — INSULATE |
| T3 — & INSULATE | T3 — TIE TOGETHER |
| T2 — LINE | T2 — & INSULATE |
| T4 — LINE | T4 — LINE |





GAST MANUFACTURING, INC.
 A Unit of IDEX Corporation
 Post Office Box 97
 Benton Harbor, Michigan
 Ph: 269/926-6171
 Fax: 269/925-8288

PART NO:

LTD238

REV.:

A

| MODEL NUMBER | MOTOR SPECIFICATIONS | RPM | MAX VAC | | MAX PRESS | | HP | kW | NET WT. | |
|--------------|----------------------|------|-------------------|------|-------------------|------|-----|------|---------|------|
| | | | "H ₂ O | mbar | "H ₂ O | mbar | | | lbs. | kg |
| R6150J-2 | 230V 60HZ. | 3400 | 85 | 211 | 95 | 237 | 5.0 | 3.66 | 125 | 56.8 |

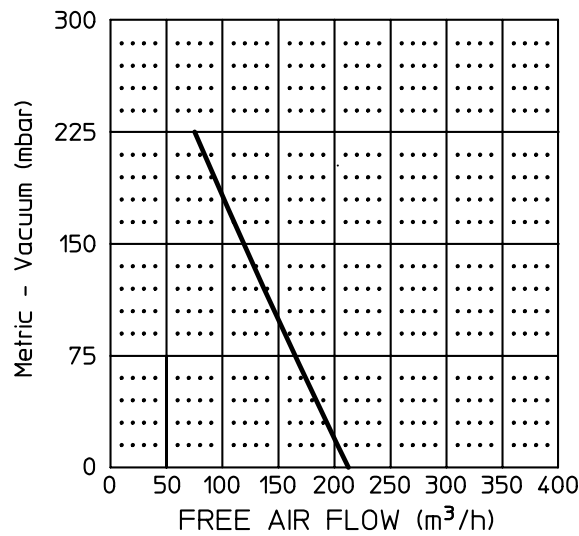
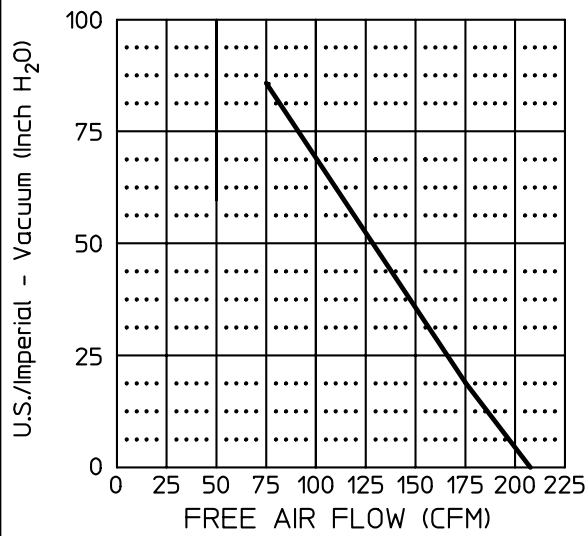
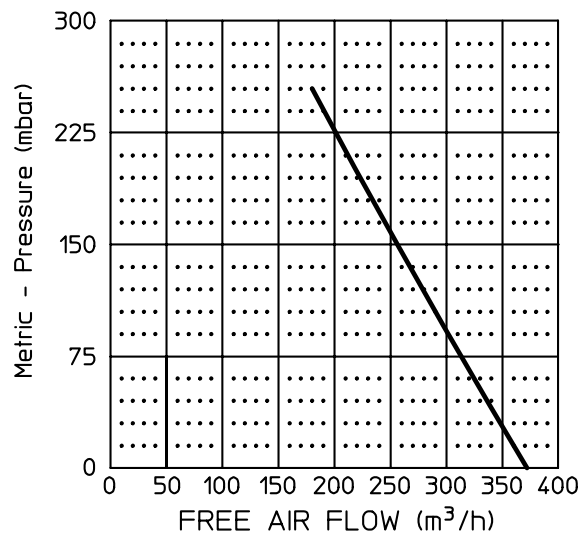
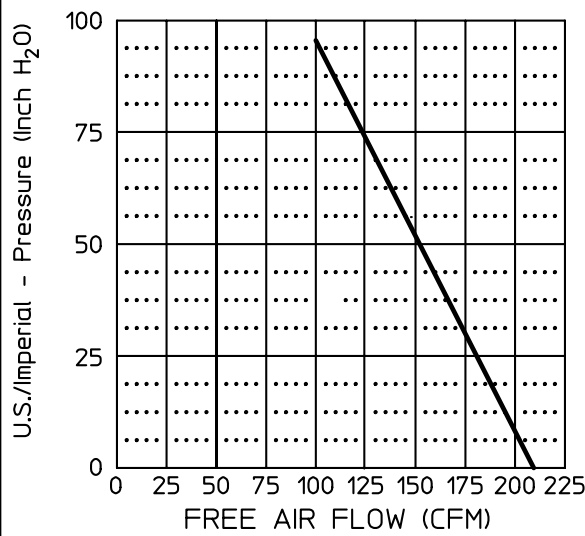
SOUND LEVEL 80 dB(A) MAX. @ 60/50 Hz
 NORMAL AMBIENT -29°C TO +40°C
 RELATIVE HUMIDITY 0% - 100% NON CONDENSING
 ENVIRONMENT CLEAN DUST FREE

TECHNICAL DATA SUBJECT TO
 CHANGE WITHOUT NOTICE.

PERFORMANCE DATA
 THE PERFORMANCE DATA SHOWN WAS DETERMINED
 UNDER THE FOLLOWING CONDITIONS:

LINE VOLTAGE @ 60 Hz. 230V FOR 1 PHASE UNITS.

Product Performance (Metric U.S. Imperial)



UNITS IN A TEMPERATURE STABLE CONDITION.

DELIVERY MEASUREMENTS MADE WITH OUTPUT PORT THROTTLED.

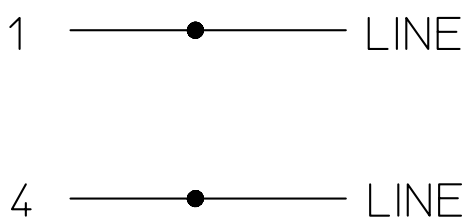
SUCTION MEASUREMENTS MADE WITH INPUT PORT THROTTLED.

TEST CONDITIONS: INLET AIR DENSITY @ 0.075 lbs. per cu. ft. [20°C (68°F), 29.92" Hg (14.7 PSIA)].

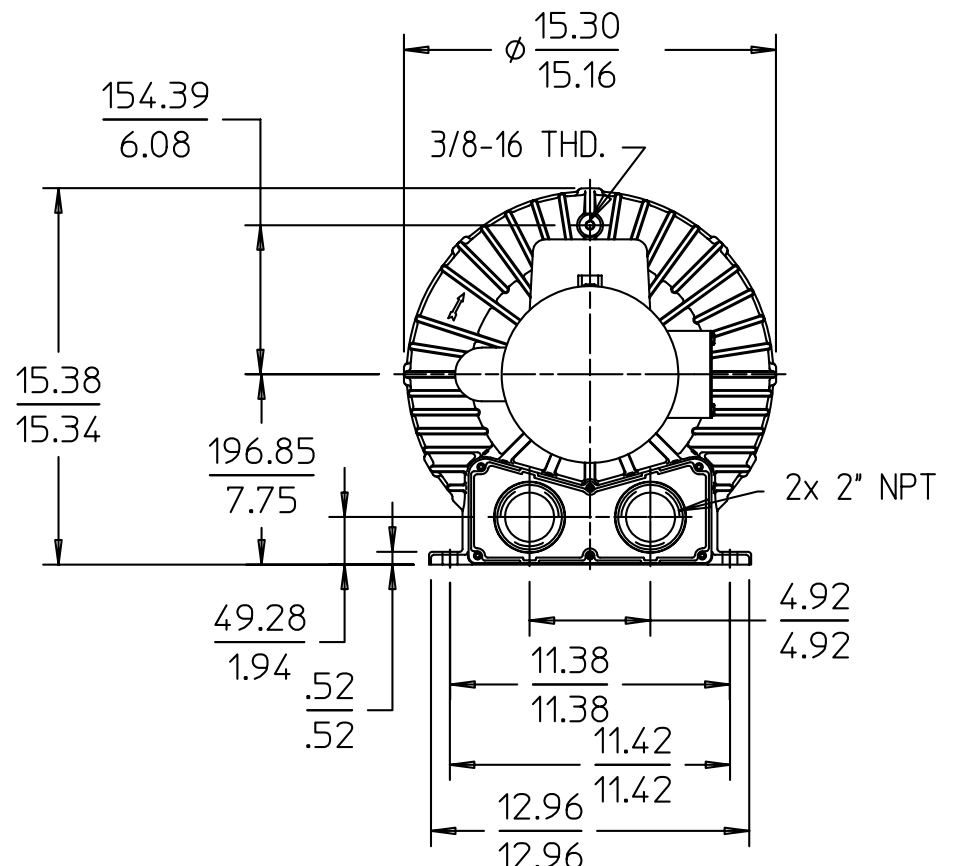
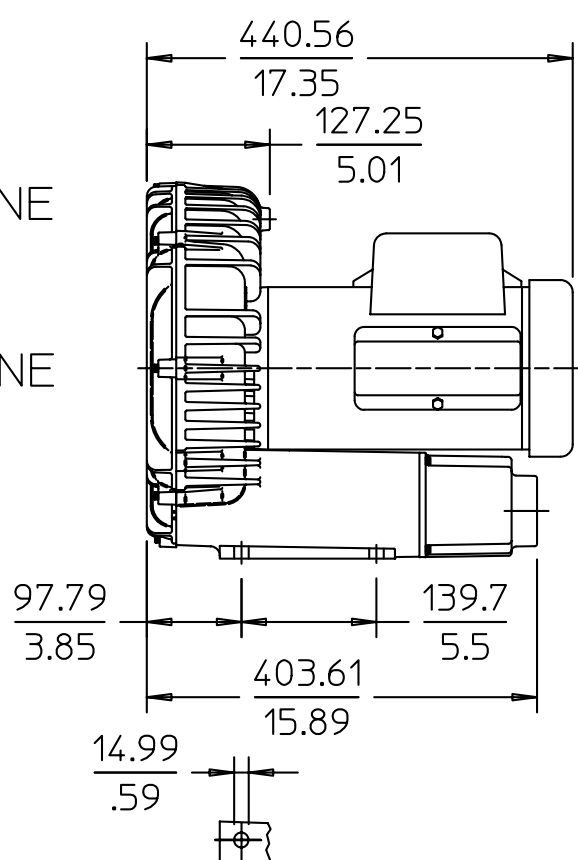
NORMAL PERFORMANCE VARIATIONS ON THE RESISTANCE CURVE WITHIN ±10% OF SUPPLIED DATA CAN BE EXPECTED.

Product Dimensions

Metric (mm)
 U.S. Imperial (inches)



WIRING DIAGRAM





GAST MANUFACTURING, INC.
 A Unit of IDEX Corporation
 Post Office Box 97
 Benton Harbor, Michigan
 Ph: 269/926-6171
 Fax: 269/925-8288

PART NUMBER: LTD149

REVISION: E

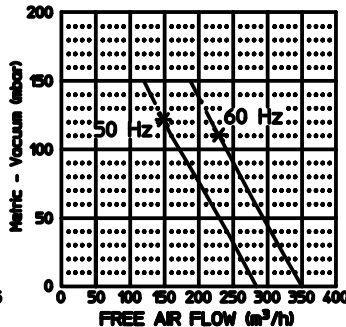
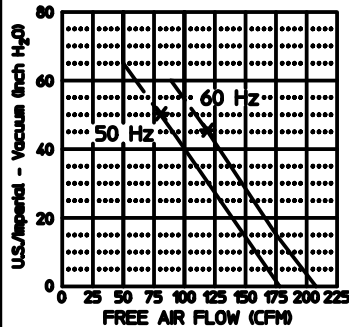
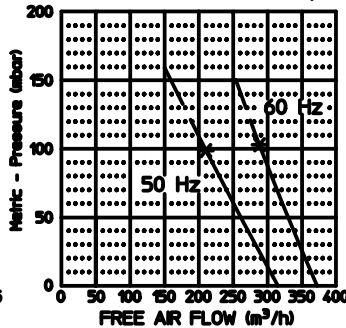
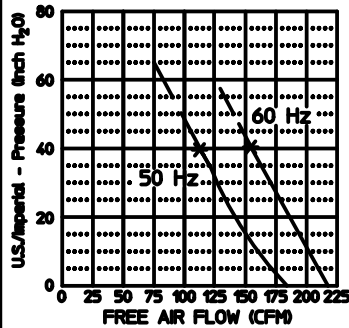
Product Specs.

| MODEL NUMBER | MOTOR SPECIFICATIONS | RPM | MAX VAC | | MAX PRESS | | HP | KW | NET WT. | |
|--------------|----------------------|------|-------------------|------|-------------------|------|------|-----|---------|------|
| | | | "H ₂ O | mbar | "H ₂ O | mbar | | | lbs. | kg |
| R6325A-2 | 190-220/380-415-50-3 | 2850 | 50 | 125 | 40 | 100 | 1.85 | 1.4 | 76 | 34.5 |
| | 208-230/460-60-3 | 3450 | 45 | 112 | 40 | 100 | 2.5 | 1.9 | | |

SOUND LEVEL 72/69 dB(A) MAX. @ 60/50 Hz
 NORMAL AMBIENT -29°C TO 40°C
 RELATIVE HUMIDITY 0% - 100% NON CONDENSING
 ENVIRONMENT CLEAN DUST FREE

TECHNICAL DATA SUBJECT TO CHANGE WITHOUT NOTICE.

Product Performance (Metric U.S. Imperial)



PERFORMANCE DATA

THE PERFORMANCE DATA SHOWN WAS DETERMINED UNDER THE FOLLOWING CONDITIONS:

LINE VOLTAGE @ 60 Hz, 230V OR 460V FOR 3 PHASE UNITS. 115V OR 230V FOR 1 PHASE UNITS.

LINE VOLTAGE @ 50 Hz, 220V FOR 3 PHASE OR 1 PHASE UNITS.

UNITS IN A TEMPERATURE STABLE CONDITION.

DELIVERY MEASUREMENTS MADE WITH OUTPUT PORT THROTTLED.

SUCTION MEASUREMENTS MADE WITH INPUT PORT THROTTLED.

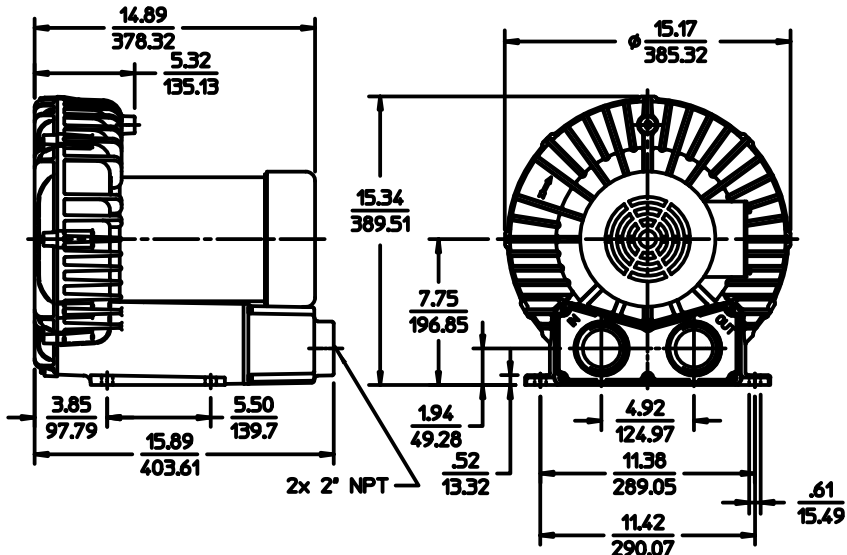
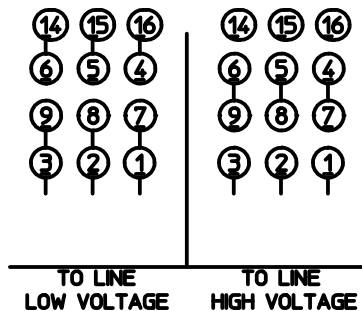
TEST CONDITIONS: INLET AIR DENSITY @ 0.075 lbs. per cu. ft. [20°C (68°F), 29.92" Hg (14.7 PSIA)].

NORMAL PERFORMANCE VARIATIONS ON THE RESISTANCE CURVE WITHIN ±10% OF SUPPLIED DATA CAN BE EXPECTED.

* DENOTES RECOMMENDED MAXIMUM DUTY
 ---- INTERMITTENT DUTY ONLY

Product Dimensions

Metric (mm) / U.S. Imperial (inches)





GAST MANUFACTURING, INC.
 A Unit of IDEX Corporation
 Post Office Box 97
 Benton Harbor, Michigan
 Ph: 269/926-6171
 Fax: 269/925-8288

PART NUMBER: LTD150

REVISION: D

Product Specs.

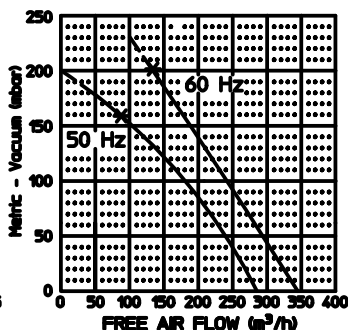
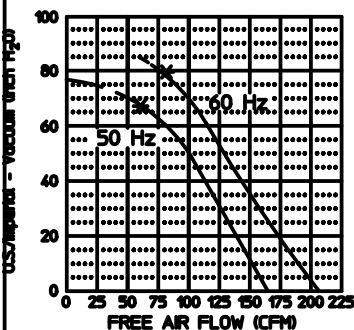
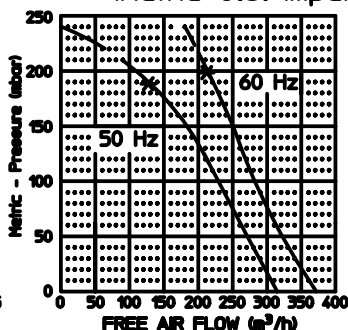
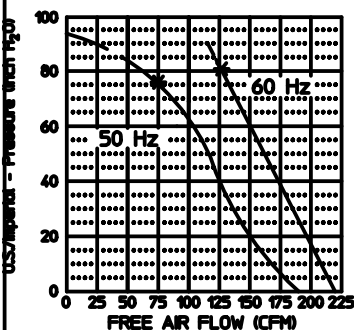
| MODEL NUMBER | MOTOR SPECIFICATIONS | RPM | MAX VAC | | MAX PRESS | | HP | kW | NET WT. | |
|--------------|----------------------|------|-------------------|------|-------------------|------|-----|-----|---------|------|
| | | | "H ₂ O | mbar | "H ₂ O | mbar | | | lbs. | kg |
| R6335A-2 | 190-220/380-415-50-3 | 2850 | 65 | 162 | 74 | 199 | 2.5 | 1.9 | 82 | 37.2 |
| | 208-230/460-60-3 ▲ | 3450 | 80 | 199 | 80 | 199 | 3.5 | 2.6 | | |

SOUND LEVEL 72/69 dB(A) MAX. @ 60/50 Hz
 NORMAL AMBIENT -29°C TO 40°C
 RELATIVE HUMIDITY 0% - 100% NON CONDENSING
 ENVIRONMENT CLEAN DUST FREE

TECHNICAL DATA SUBJECT TO CHANGE WITHOUT NOTICE.

▲ = REDUCE MAX. DUTY RATINGS BY 10% WHEN OPERATING FROM 207 TO 187 VOLTS, 60 Hz

Product Performance (Metric U.S. Imperial)



PERFORMANCE DATA

THE PERFORMANCE DATA SHOWN WAS DETERMINED UNDER THE FOLLOWING CONDITIONS:

LINE VOLTAGE @ 60 Hz, 230V OR 460V FOR 3 PHASE UNITS, 115V OR 230V FOR 1 PHASE UNITS.

LINE VOLTAGE @ 50 Hz, 220V FOR 3 PHASE OR 1 PHASE UNITS.

UNITS IN A TEMPERATURE STABLE CONDITION.

DELIVERY MEASUREMENTS MADE WITH OUTPUT PORT THROTTLED.

SUCTION MEASUREMENTS MADE WITH INPUT PORT THROTTLED.

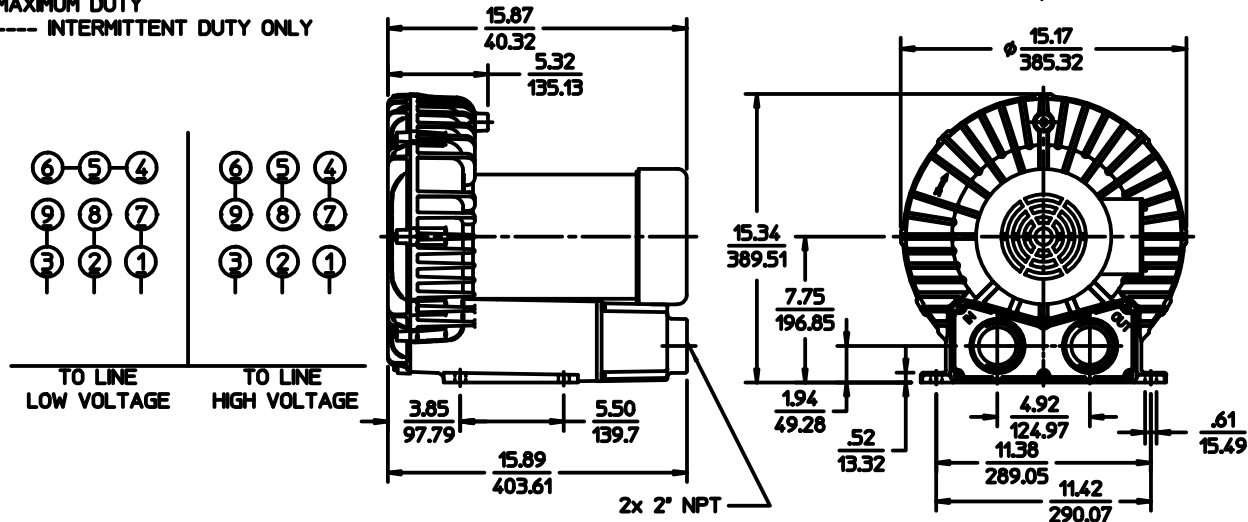
TEST CONDITIONS: INLET AIR DENSITY @ 0.075 lbs. per cu. ft. [20°C (68°F), 29.92" Hg (14.7 PSIA)].

NORMAL PERFORMANCE VARIATIONS ON THE RESISTANCE CURVE WITHIN ±10% OF SUPPLIED DATA CAN BE EXPECTED.

* DENOTES RECOMMENDED MAXIMUM DUTY
 --- INTERMITTENT DUTY ONLY

Product Dimensions

Metric (mm) / U.S. Imperial (inches)





GAST MANUFACTURING, INC.
 A Unit of IDEX Corporation
 Post Office Box 97
 Benton Harbor, Michigan
 Ph: 269/926-6171
 Fax: 269/925-8288

PART NUMBER:

LTD182

REV.

A

Product Specifications

| MODEL NUMBER | MOTOR SPECIFICATIONS | RPM | MAX VAC | | MAX PRESS | | HP | kW | NET WT. | |
|--------------|----------------------|------|-------------------|------|-------------------|------|-----|-----|---------|----|
| | | | "H ₂ O | mbar | "H ₂ O | mbar | | | lbs. | kg |
| R6340R-50 | 208-230/460-60-3 | 3450 | 80 | 199 | 100 | 249 | 4.0 | 3.0 | 112 | 51 |
| | 190-220/380-415-50-3 | 2850 | 65 | 162 | 75 | 187 | 3.0 | 2.2 | | |

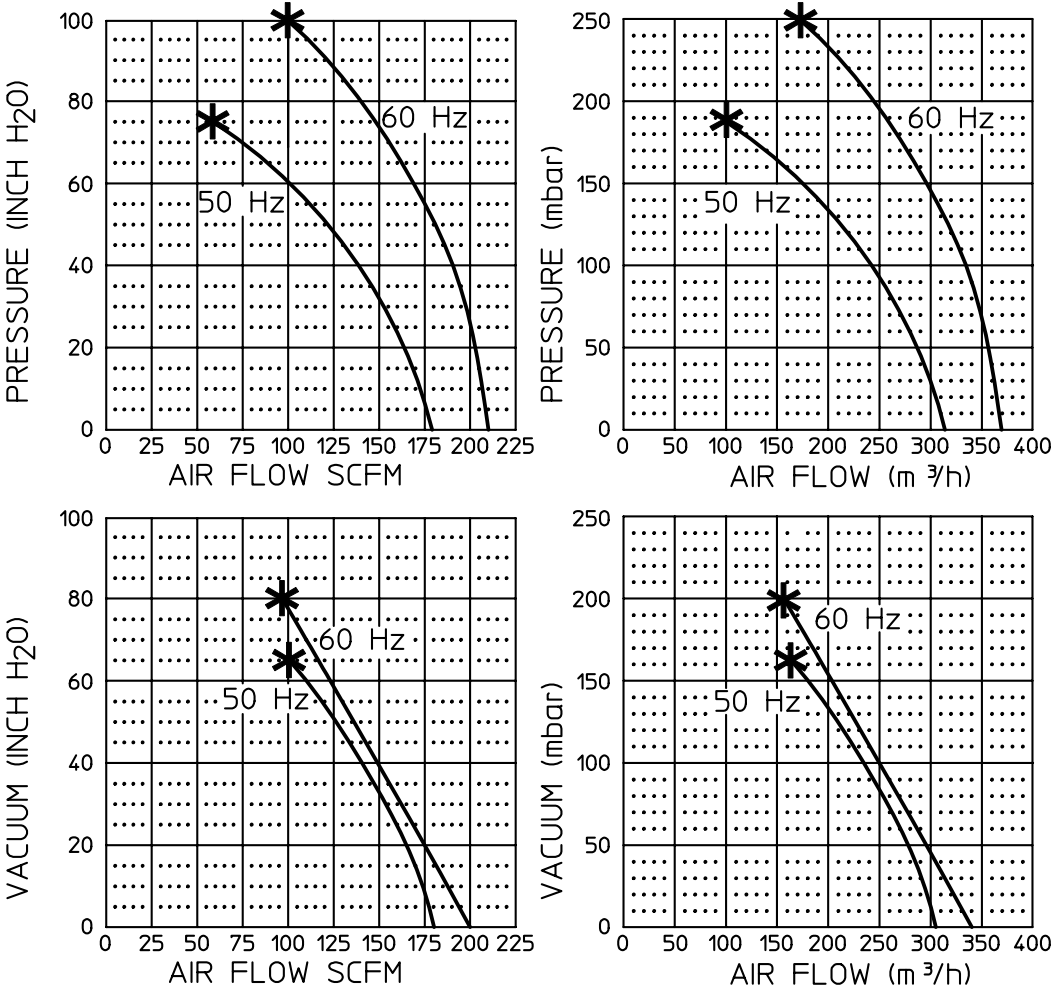
SOUND LEVEL 72/69 dB(A) MAX. @ 60/50 Hz
 NORMAL AMBIENT -29°C TO 40°C
 RELATIVE HUMIDITY 0% - 100% NON CONDENSING
 ENVIRONMENT CLEAN DUST FREE

UL AND CSA APPROVED MOTOR FOR EXPLOSIVE GAS ATMOSPHERES CLASS 1, GROUP D.

THIS BLOWER IS DESIGNED FOR SOIL AND GROUND WATER REMEDIATION.

TECHNICAL DATA SUBJECT TO CHANGE WITHOUT NOTICE.

Product Performance



PERFORMANCE DATA THE PERFORMANCE DATA SHOWN WAS DETERMINED UNDER THE FOLLOWING CONDITIONS:

LINE VOLTAGE @ 60 Hz. 230V OR 460V FOR 3 PHASE UNITS. 115V OR 230V FOR 1 PHASE UNITS.

LINE VOLTAGE @ 50 Hz. 220V FOR 3 PHASE OR 1 PHASE UNITS.

UNITS IN A TEMPERATURE STABLE CONDITION.

DELIVERY MEASUREMENTS MADE WITH OUTPUT PORT THROTTLED.

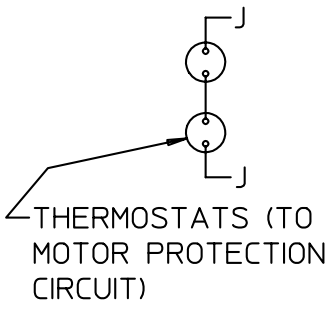
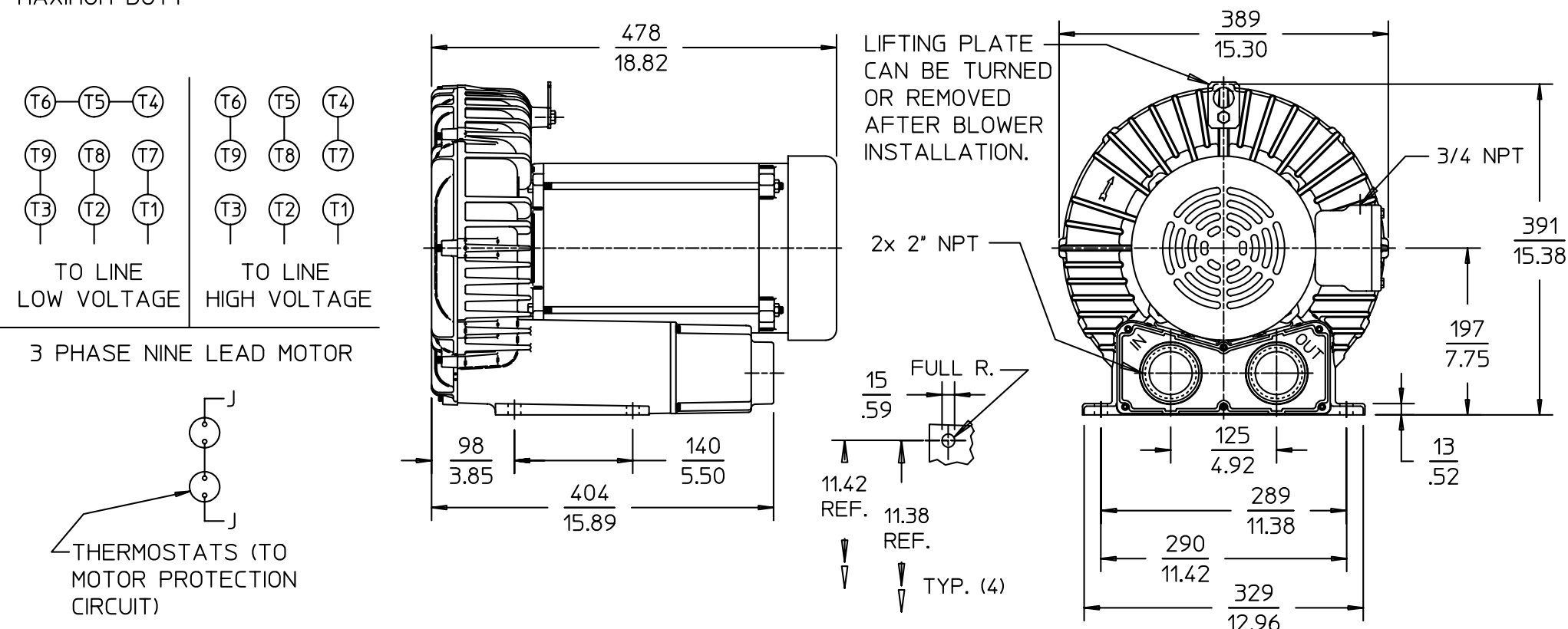
SUCTION MEASUREMENTS MADE WITH INPUT PORT THROTTLED.

TEST CONDITIONS: INLET AIR DENSITY @ 0.075 lbs. per cu. ft. [20°C (68°F), 29.92" Hg (14.7 PSIA)].

NORMAL PERFORMANCE VARIATIONS ON THE RESISTANCE CURVE WITHIN ±10% OF SUPPLIED DATA CAN BE EXPECTED.

* DENOTES RECOMMENDED MAXIMUM DUTY

Product Dimensions





GAST MANUFACTURING, INC.
 A Unit of IDEX Corporation
 Post Office Box 97
 Benton Harbor, Michigan
 Ph: 269/926-6171
 Fax: 269/925-8288

PART NUMBER:
 LTD151

REV.
 B

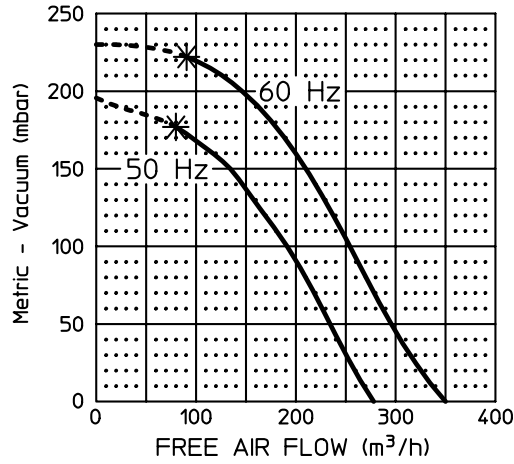
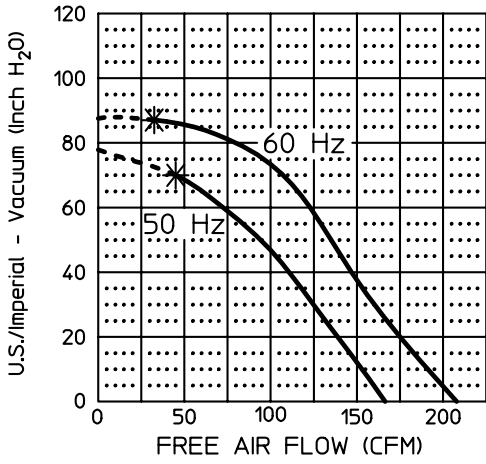
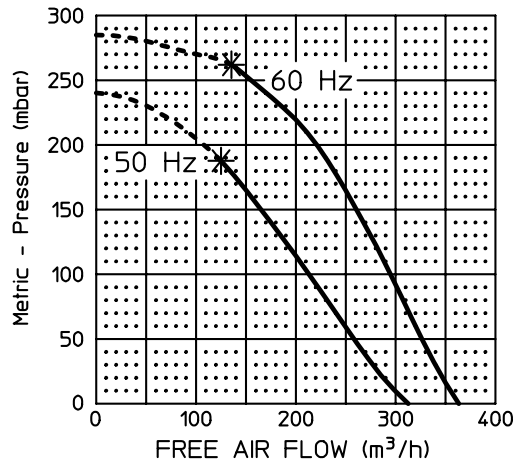
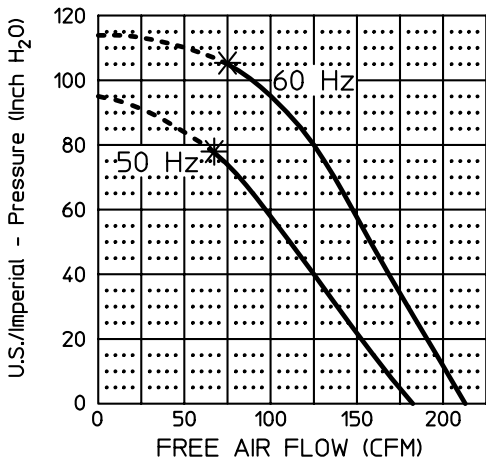
Product Specifications

| MODEL NUMBER | MOTOR SPECIFICATIONS | RPM | MAX VAC | | MAX PRESS | | HP | kW | NET WT. | |
|--------------|----------------------|------|-------------------|------|-------------------|------|-----|-----|---------|------|
| | | | "H ₂ O | mbar | "H ₂ O | mbar | | | lbs. | kg |
| R6350A-2 | 190-220/380-415-50-3 | 2850 | 70 | 174 | 78 | 194 | 4.8 | 3,6 | 112 | 50,8 |
| | 208-230/460-60-3 | 3450 | 88 | 219 | 105 | 262 | 5 | 3,7 | | |

SOUND LEVEL 72/69 dB(A) MAX. @ 60/50 Hz
 NORMAL AMBIENT -29°C TO 40°C
 RELATIVE HUMIDITY 0% - 100% NON CONDENSING
 ENVIRONMENT CLEAN DUST FREE

TECHNICAL DATA SUBJECT TO
 CHANGE WITHOUT NOTICE.

Product Performance (Metric U.S. Imperial)



PERFORMANCE DATA
 THE PERFORMANCE DATA SHOWN WAS DETERMINED
 UNDER THE FOLLOWING CONDITIONS:
 LINE VOLTAGE @ 60 Hz. 230V OR 460V FOR 3 PHASE
 UNITS. 115V OR 230V FOR 1 PHASE UNITS.

LINE VOLTAGE @ 50 Hz. 220V FOR 3 PHASE OR 1
 PHASE UNITS.

UNITS IN A TEMPERATURE STABLE CONDITION.

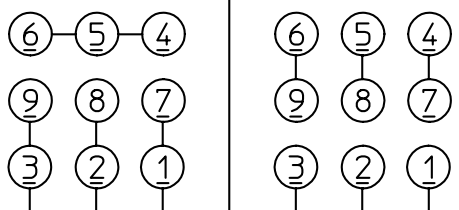
DELIVERY MEASUREMENTS MADE WITH OUTPUT PORT
 THROTTLED.

SUCTION MEASUREMENTS MADE WITH INPUT PORT
 THROTTLED.

TEST CONDITIONS: INLET AIR DENSITY @ 0.075 lbs. per
 cu. ft. [20°C (68°F), 29.92" Hg (14.7 PSIA)].

NORMAL PERFORMANCE VARIATIONS ON THE RISTANCE
 CURVE WITHIN ±10% OF SUPPLIED DATA CAN BE EXPECTED.

* DENOTES RECOMMENDED
 MAXIMUM DUTY
 ---- INTERMITTENT DUTY ONLY



Product Dimensions

Metric (mm) / U.S. Imperial (inches)

