



GAST MANUFACTURING, INC.  
 A Unit of IDEX Corporation  
 Post Office Box 97  
 Benton Harbor, Michigan  
 Ph: 269/926-6171  
 Fax: 269/925-8288

PART NUMBER:  
 LTD144

REV.  
 E

Product Specifications

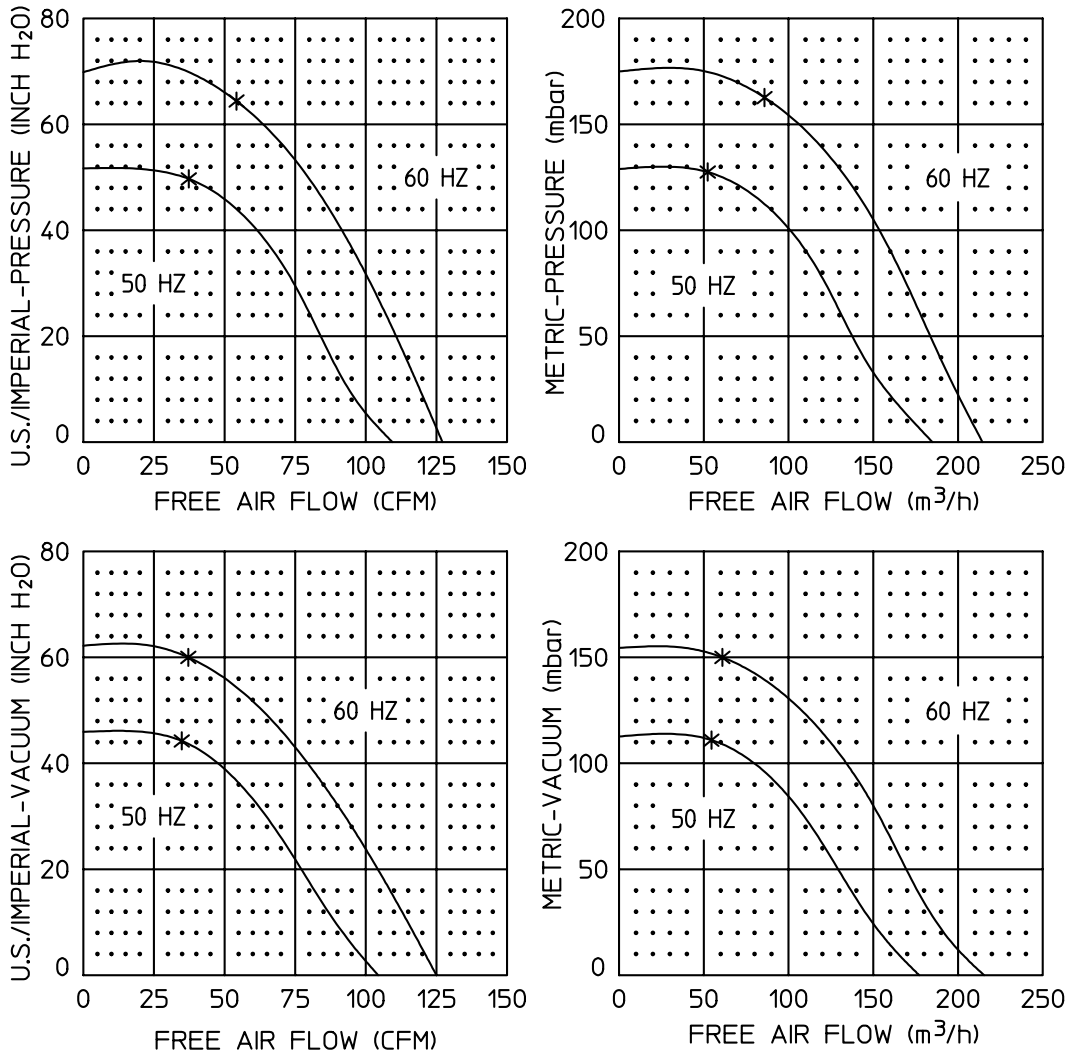
MODEL NUMBER	MOTOR SPECIFICATIONS	RPM	MAX VAC		MAX PRESS		HP	kW	NET WT.	
			"H <sub>2</sub> O	mbar	"H <sub>2</sub> O	mbar			lbs.	kg
R4P115	110/220-240-50-1	2850	45	112	50	125	1.0	0,75	62	28,2
	115/208-230-60-1	3450	60	149	65	162	1.5	1,1		

SOUND LEVEL 74/72 dB(A) MAX. @ 60/50 Hz  
 NORMAL AMBIENT -29°C TO 40°C  
 RELATIVE HUMIDITY 0% - 100% NON CONDENSING  
 ENVIRONMENT CLEAN DUST FREE

TECHNICAL DATA SUBJECT TO  
 CHANGE WITHOUT NOTICE.

\* = RECOMMENDED MAXIMUM DUTY

Product Performance (Metric U.S. Imperial)



PERFORMANCE DATA  
 THE PERFORMANCE DATA SHOWN WAS DETERMINED  
 UNDER THE FOLLOWING CONDITIONS:

LINE VOLTAGE @ 60 Hz. 230V OR 460V FOR 3 PHASE  
 UNITS. 115V OR 230V FOR 1 PHASE UNITS.

LINE VOLTAGE @ 50 Hz. 220V FOR 3 PHASE OR 1  
 PHASE UNITS.

UNITS IN A TEMPERATURE STABLE CONDITION.

DELIVERY MEASUREMENTS MADE WITH OUTPUT PORT  
 THROTTLED.

SUCTION MEASUREMENTS MADE WITH INPUT PORT  
 THROTTLED.

TEST CONDITIONS: INLET AIR DENSITY @ 0.075 lbs. per  
 cu. ft. [20°C (68°F), 29.92" Hg (14.7 PSIA)].

NORMAL PERFORMANCE VARIATIONS ON THE RESISTANCE  
 CURVE WITHIN ±10% OF SUPPLIED DATA CAN BE EXPECTED.

Product Dimensions

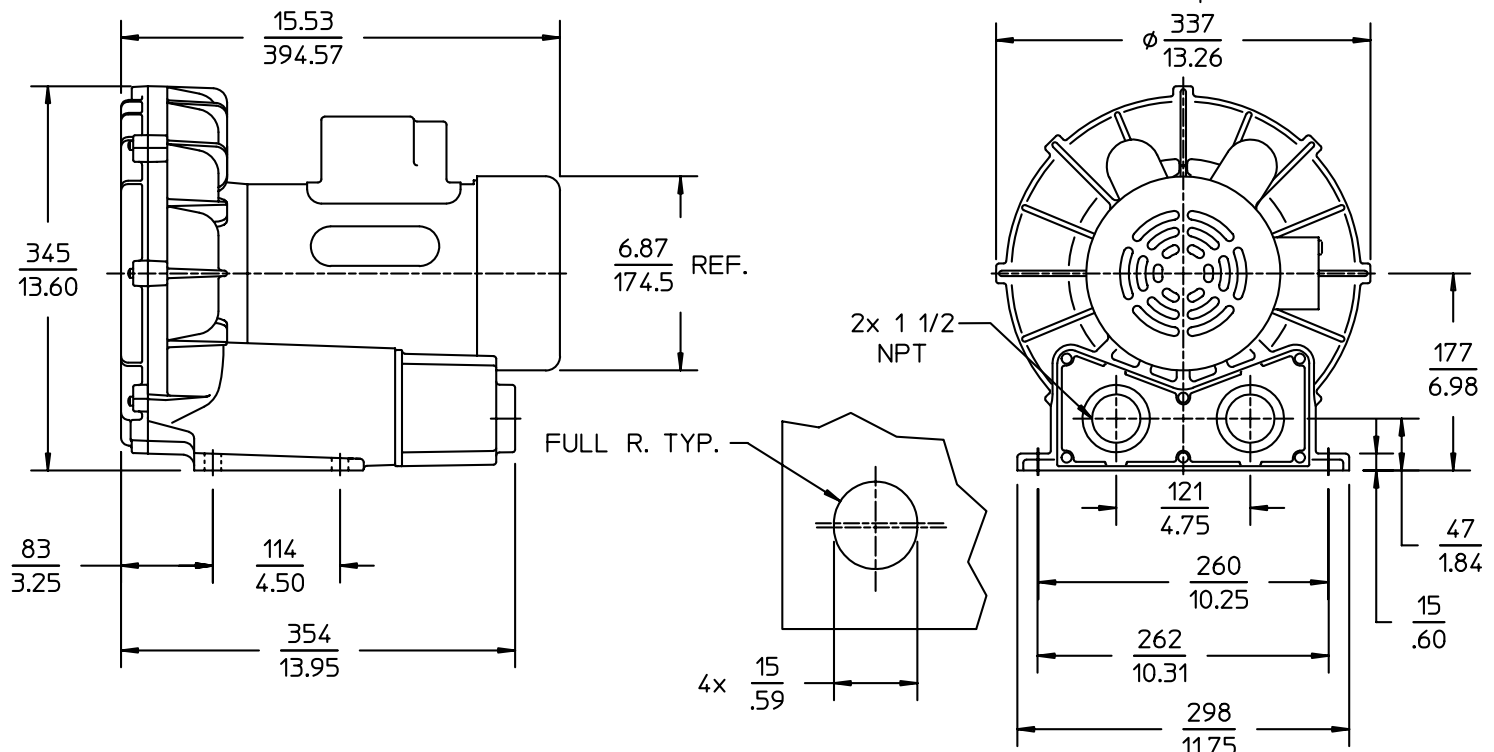
Metric (mm) / U.S. Imperial (inches)

LOW VOLTAGE, SINGLE PHASE

- P1 — LINE
- P2 — TIE TOGETHER
- T3 — & INSULATE
- T2 — LINE
- T4 — LINE

HIGH VOLTAGE, SINGLE PHASE

- P1 — LINE
- P2 — INSULATE
- T3 — TIE TOGETHER
- T2 — & INSULATE
- T4 — LINE



WIRING DIAGRAM



GAST MANUFACTURING, INC.  
 A Unit of IDEX Corporation  
 Post Office Box 97  
 Benton Harbor, Michigan  
 Ph: 269/926-6171  
 Fax: 269/925-8288

PART NUMBER:

LTD178

REV.

B

Product Specifications

MODEL NUMBER	MOTOR SPECIFICATIONS	RPM	MAX VAC		MAX PRESS		HP	kW	NET WT.	
			"H <sub>2</sub> O	mbar	"H <sub>2</sub> O	mbar			lbs.	kg
R4P115N-50	115/208-230-60-1	3450	60	149	65	162	1.5	1,1	79	36
	110/220-240-50-1	2850	40	100	45	112	1.0	0,75		

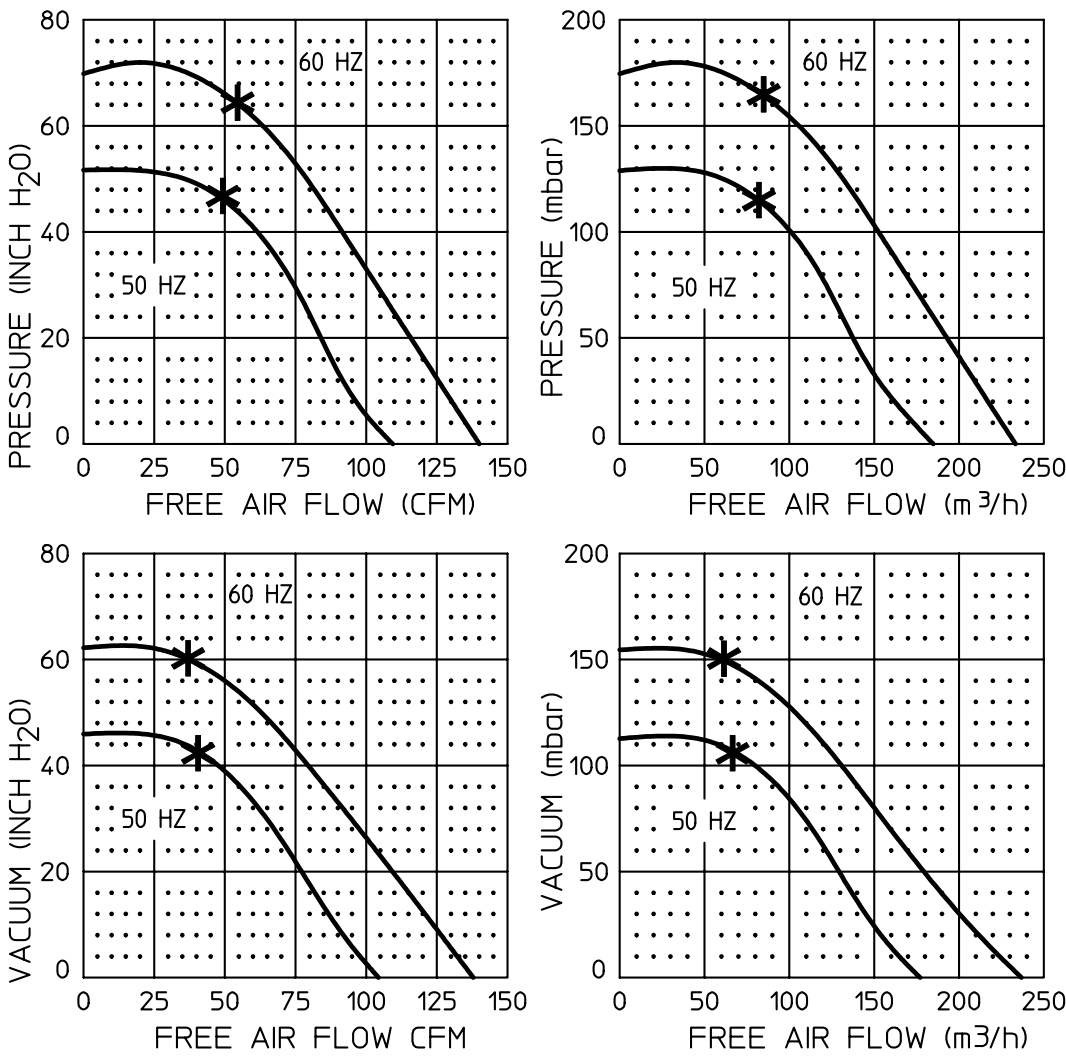
SOUND LEVEL 74/72 dB(A) MAX. @ 60/50 Hz  
 NORMAL AMBIENT -29°C TO 40°C  
 RELATIVE HUMIDITY 0% - 100% NON CONDENSING  
 ENVIRONMENT CLEAN DUST FREE

UL AND CSA APPROVED MOTOR FOR EXPLOSIVE GAS ATMOSPHERES CLASS 1, GROUP D; CLASS 2, GROUP F AND G.

THIS BLOWER IS DESIGNED FOR SOIL AND GROUND WATER REMEDIATION.

TECHNICAL DATA SUBJECT TO CHANGE WITHOUT NOTICE.

Product Performance



PERFORMANCE DATA

THE PERFORMANCE DATA SHOWN WAS DETERMINED UNDER THE FOLLOWING CONDITIONS:

LINE VOLTAGE @ 60 Hz. 230V OR 460V FOR 3 PHASE UNITS. 115V OR 230V FOR 1 PHASE UNITS.

LINE VOLTAGE @ 50 Hz. 220V FOR 3 PHASE OR 1 PHASE UNITS.

UNITS IN A TEMPERATURE STABLE CONDITION.

DELIVERY MEASUREMENTS MADE WITH OUTPUT PORT THROTTLED.

SUCTION MEASUREMENTS MADE WITH INPUT PORT THROTTLED.

TEST CONDITIONS: INLET AIR DENSITY @ 0.075 lbs. per cu. ft. [20°C (68°F), 29.92" Hg (14.7 PSIA)].

NORMAL PERFORMANCE VARIATIONS ON THE RESISTANCE CURVE WITHIN ±10% OF SUPPLIED DATA CAN BE EXPECTED.

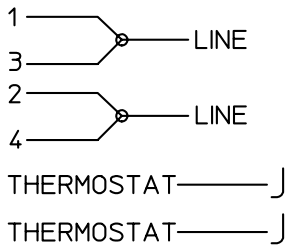
\* = RECOMMENDED MAXIMUM DUTY

Product Dimensions

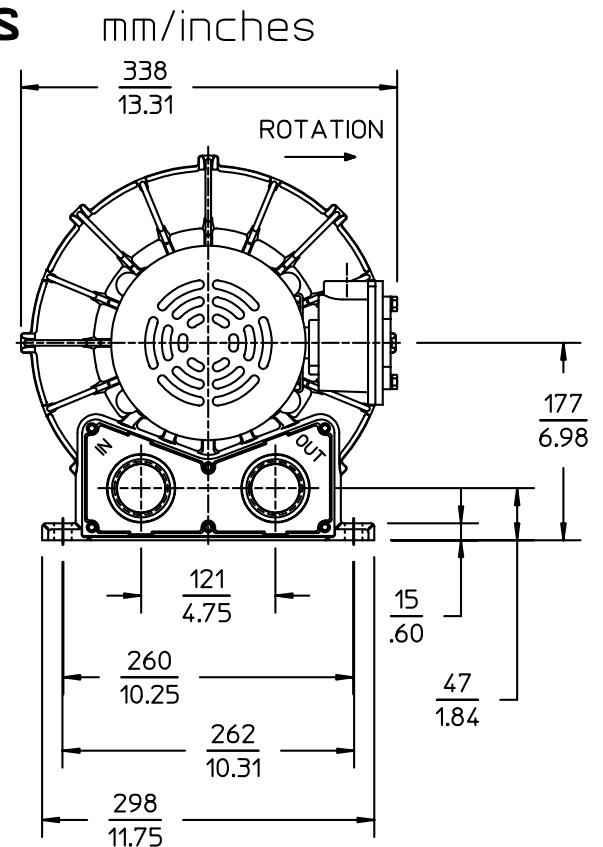
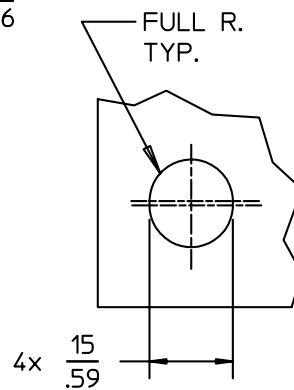
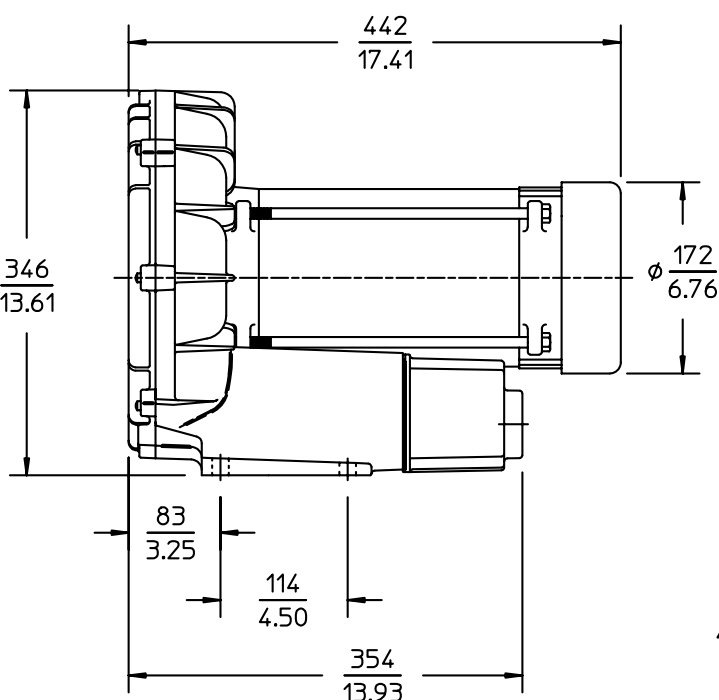
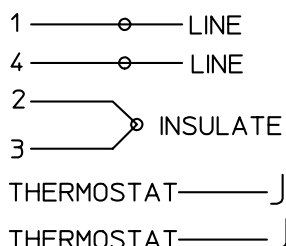
WIRING DIAGRAM

CONNECT THERMOSTAT TO MOTOR PROTECTION CIRCUIT

LOW VOLTAGE



HIGH VOLTAGE





GAST MANUFACTURING, INC.  
 A Unit of IDEX Corporation  
 Post Office Box 97  
 Benton Harbor, Michigan  
 Ph: 269/926-6171  
 Fax: 269/925-8288

PART NUMBER:

LTD145

REV.

D

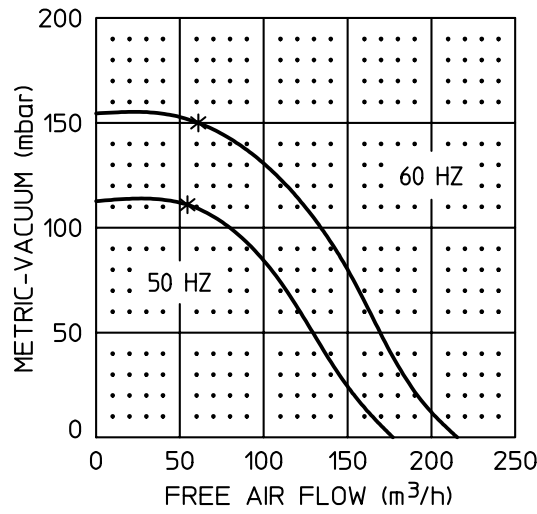
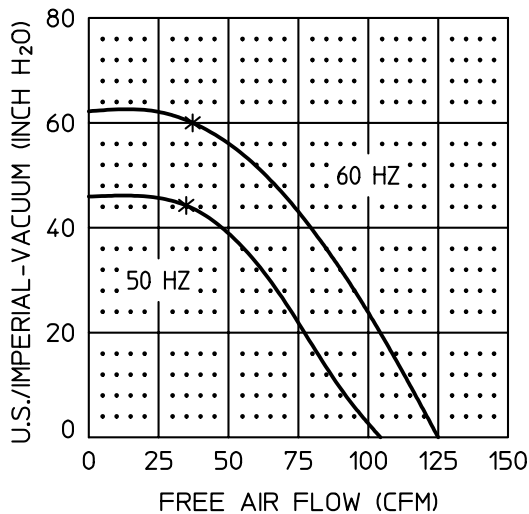
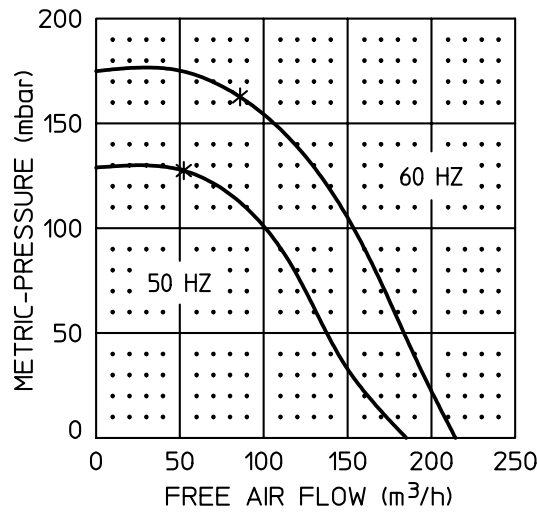
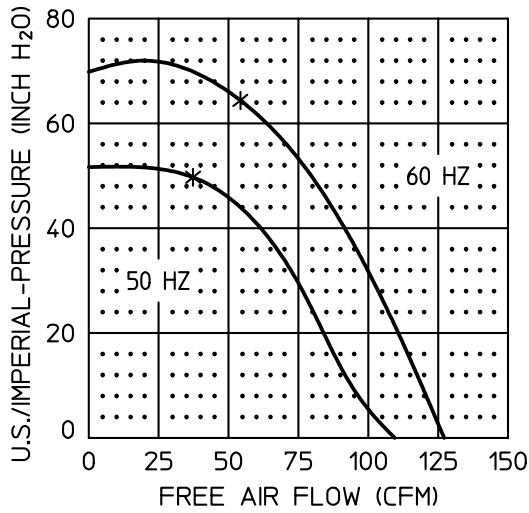
Product Specifications

MODEL NUMBER	MOTOR SPECIFICATIONS	RPM	MAX VAC		MAX PRESS		HP	kW	NET WT.	
			"H <sub>2</sub> O	mbar	"H <sub>2</sub> O	mbar			lbs.	kg
R4P315A	208-230/460-60-3	3450	59	147	63	157	1.5	1,1	43	24,1
	190-220/380-415-50-3	2850	43	107	47	117	1.0	0,75		

SOUND LEVEL 74/72 dB(A) MAX. @ 60/50 Hz  
 NORMAL AMBIENT -29°C TO 40°C  
 RELATIVE HUMIDITY 0% - 100% NON CONDENSING  
 ENVIRONMENT CLEAN DUST FREE

TECHNICAL DATA SUBJECT TO CHANGE WITHOUT NOTICE.

Product Performance



\* = RECOMMENDED MAXIMUM DUTY

PERFORMANCE DATA

THE PERFORMANCE DATA SHOWN WAS DETERMINED UNDER THE FOLLOWING CONDITIONS:

LINE VOLTAGE @ 60 Hz. 230V OR 460V FOR 3 PHASE UNITS. 115V OR 230V FOR 1 PHASE UNITS.

LINE VOLTAGE @ 50 Hz. 220V FOR 3 PHASE OR 1 PHASE UNITS.

UNITS IN A TEMPERATURE STABLE CONDITION.

DELIVERY MEASUREMENTS MADE WITH OUTPUT PORT THROTTLED.

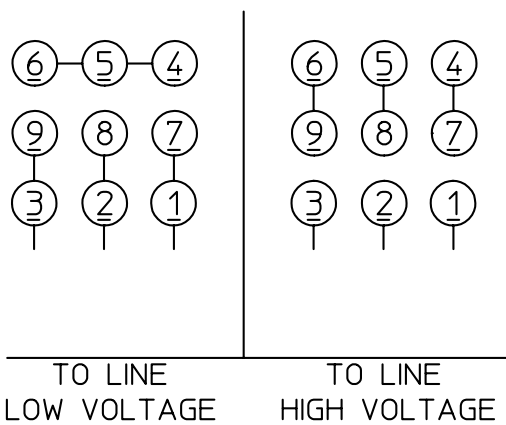
SUCTION MEASUREMENTS MADE WITH INPUT PORT THROTTLED.

TEST CONDITIONS: INLET AIR DENSITY @ 0.075 lbs. per cu. ft. [20°C (68°F), 29.92" Hg (14.7 PSIA)].

NORMAL PERFORMANCE VARIATIONS ON THE RESISTANCE CURVE WITHIN ±10% OF SUPPLIED DATA CAN BE EXPECTED

Product Dimensions

mm / inches



WIRING DIAGRAM

