



GAST MANUFACTURING, INC.  
 10000 W. 10th Street, Suite 277  
 Denver, Colorado 80231  
 Phone: 303.752.4200  
 Fax: 303.752.4200

Product Specifications

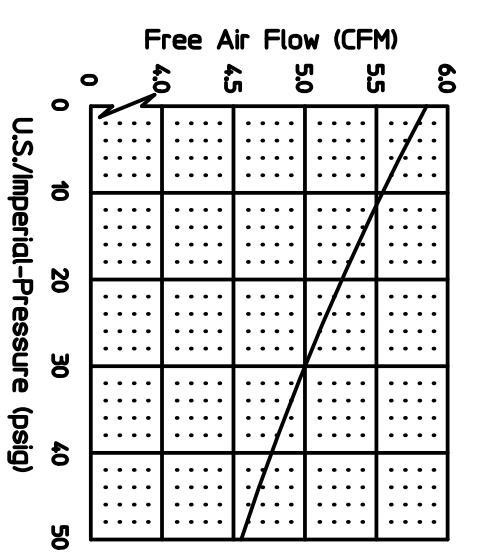
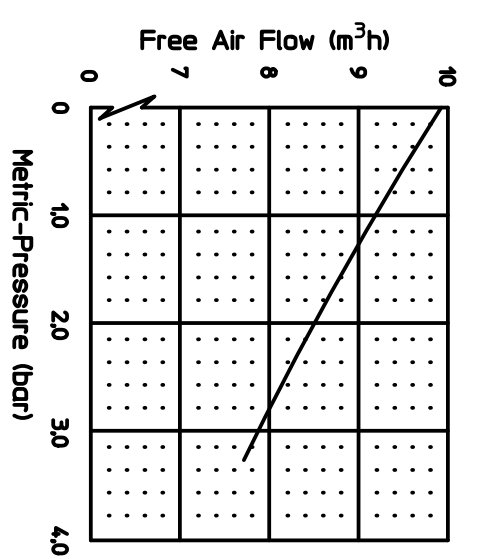
Model Number	Motor	SPM	HP	kW	Net Wt. lbs.	Net Wt. kg
SCA-425MSZ	1/5/208-231	1725	3/4	0.56	39	17.7

PART NUMBER: R1D479A  
 REVISION: A

SOUND LEVEL: 75 dBA  
 NORMAL AMBIENT: 20% - 80%  
 RELATIVE HUMIDITY: Clean Dried Free  
 ENVIRONMENT:

\* TECHNICAL DATA SUBJECT TO CHANGE  
 WITHOUT NOTICE.

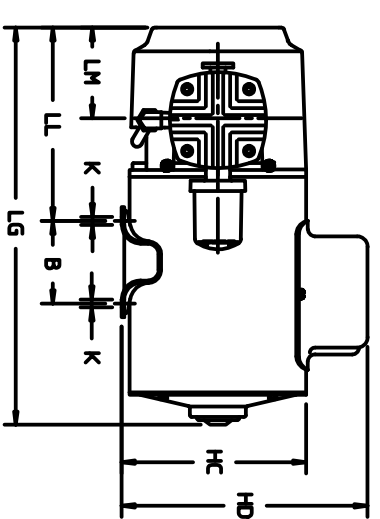
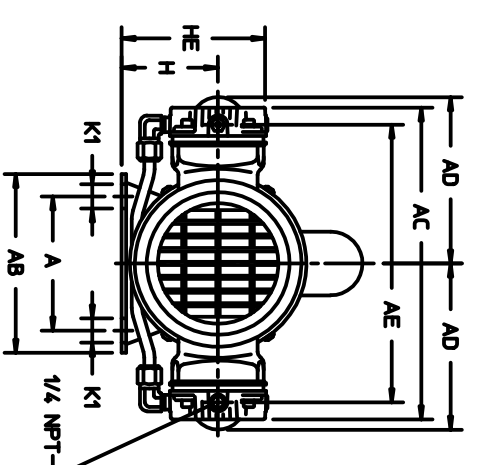
PRODUCT PERFORMANCE



PRODUCT DIMENSIONS

\* METRIC DIM  
 \* ALL DIMENSIONS ARE REFERENCE ONLY

Model Number	A	AB	AC	AD	AE	AF	B	H	HC	HD	HE	K	KI	LE	LI	LM
SCA-425MSZ	54	69	82	88	88	70	87	89	28	33	31	31	31	37	39	86



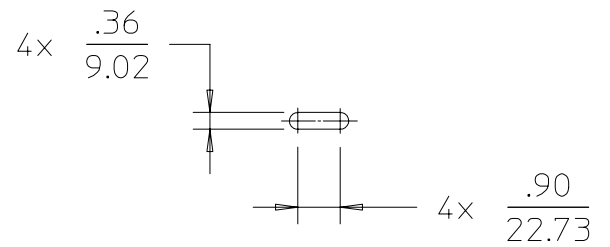
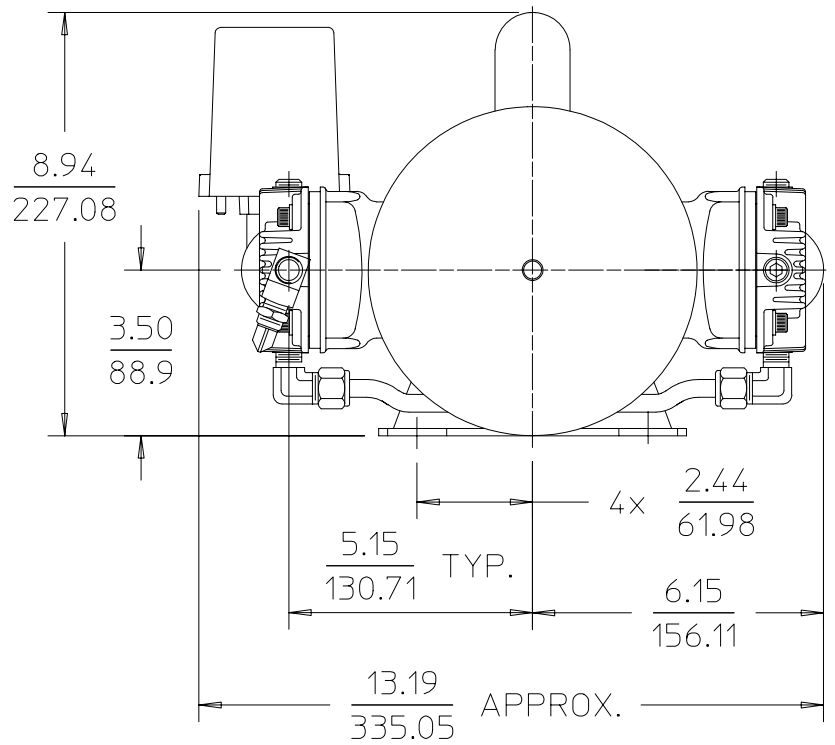
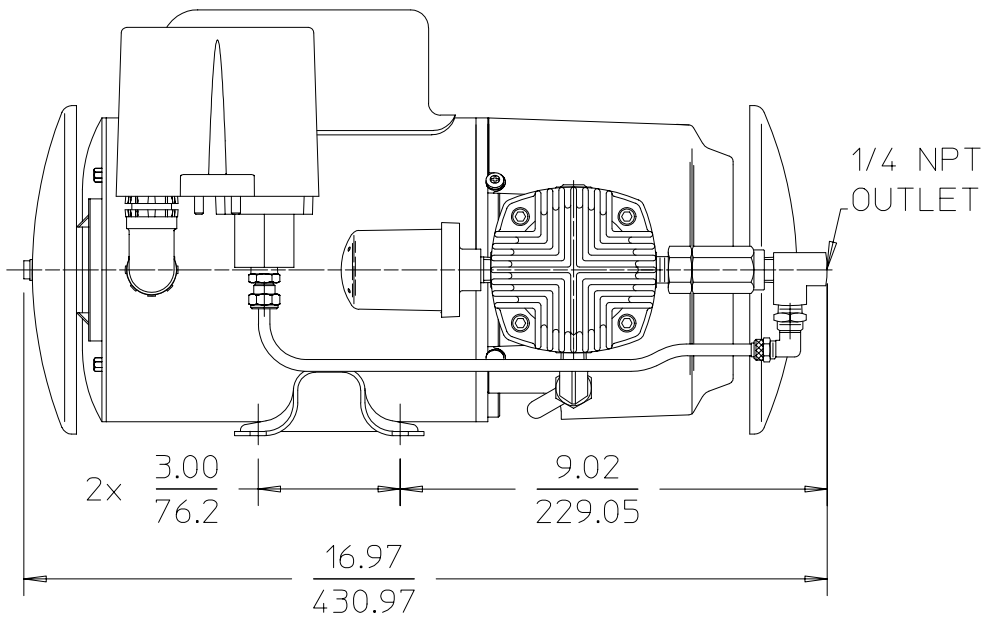
# Product Specifications



GAST MANUFACTURING, INC.  
 A Unit of IDEX Corporation  
 Post Office Box 97  
 Benton Harbor, Michigan  
 Ph: 269/926-6171  
 Fax: 269/925-8288

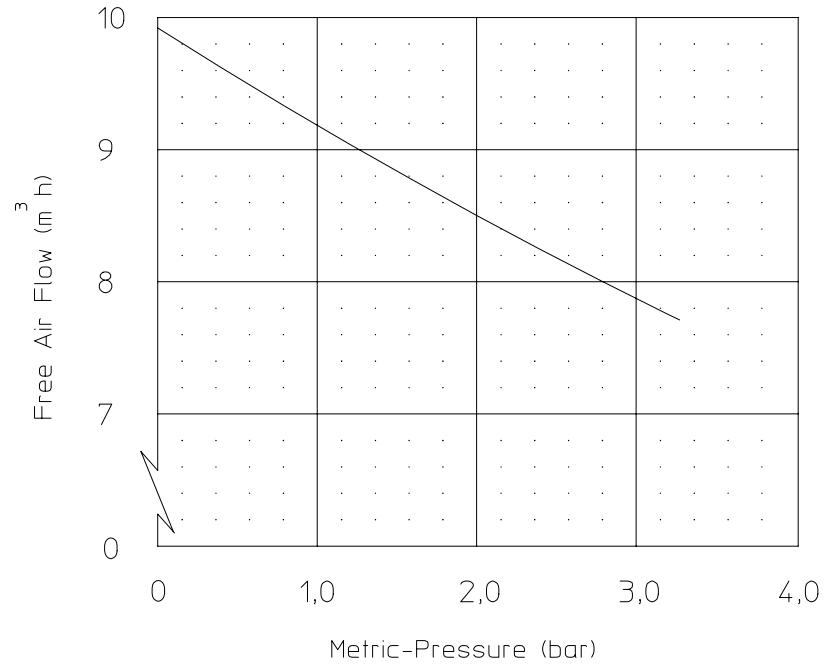
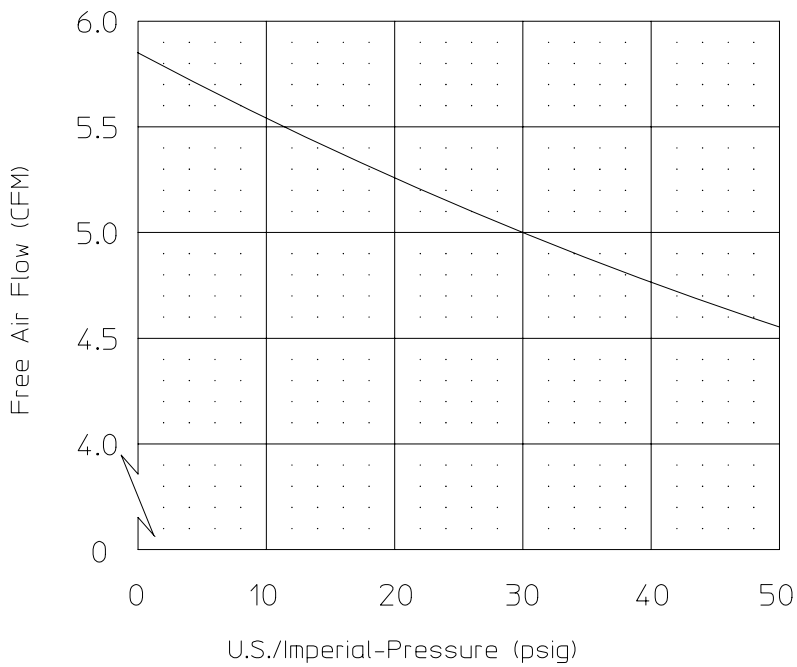
Model	V	HP	kW	Hz	Part Number:	Revision
5LCA-46S-M550GX	115/230	3/4	0.56	60	RTD659A	A

1725    
 <75dBA +5    
 +40 °C    
 20-80    
 47.5 lbs. / 19.2 kg



- NOTES:
1. ALL DIMENSIONS ARE FOR REFERENCE USE ONLY.
  2. PRODUCT DIMENSIONS: U.S. IMPERIAL (inches) METRIC (mm).
  3. TECHNICAL DATA SUBJECT TO CHANGE WITHOUT NOTICE.
  4. ENVIRONMENT: CLEAN DUST FREE.
  5. FACTORY SETTING: CUT-IN 40 PSI± 2 PSI/CUT-OUT 50 PSI ±2 PSI.

## PRODUCT PERFORMANCE





GAST MANUFACTURING, INC.  
 A Unit of IDEX Corporation  
 Post Office Box 97  
 Benton Harbor, Michigan  
 Ph: 269/926-6171  
 Fax: 269/925-8288

PART NO:

RTD265

REV.

C

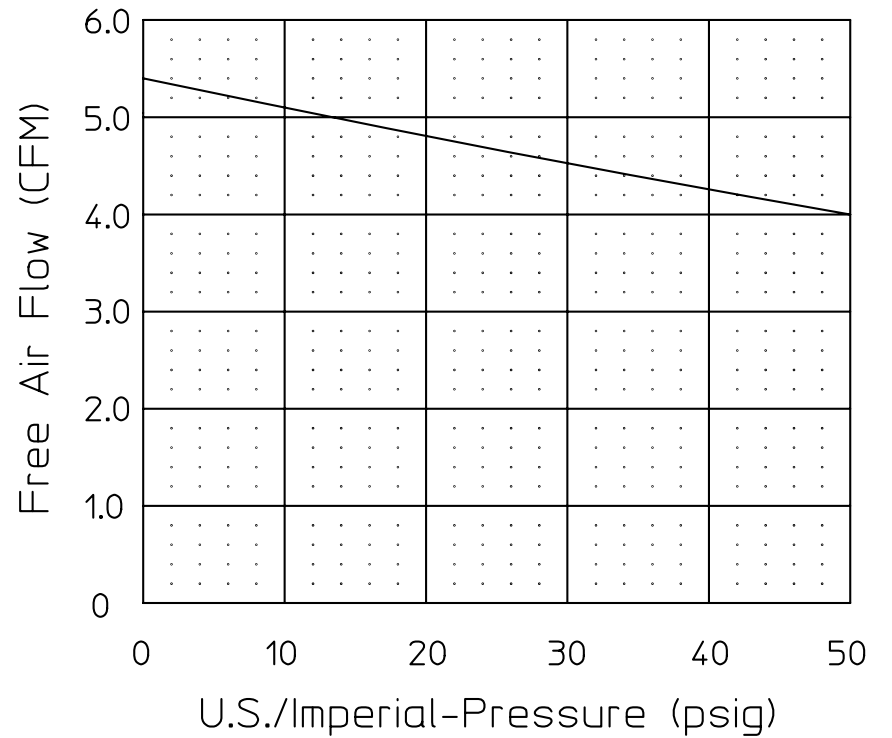
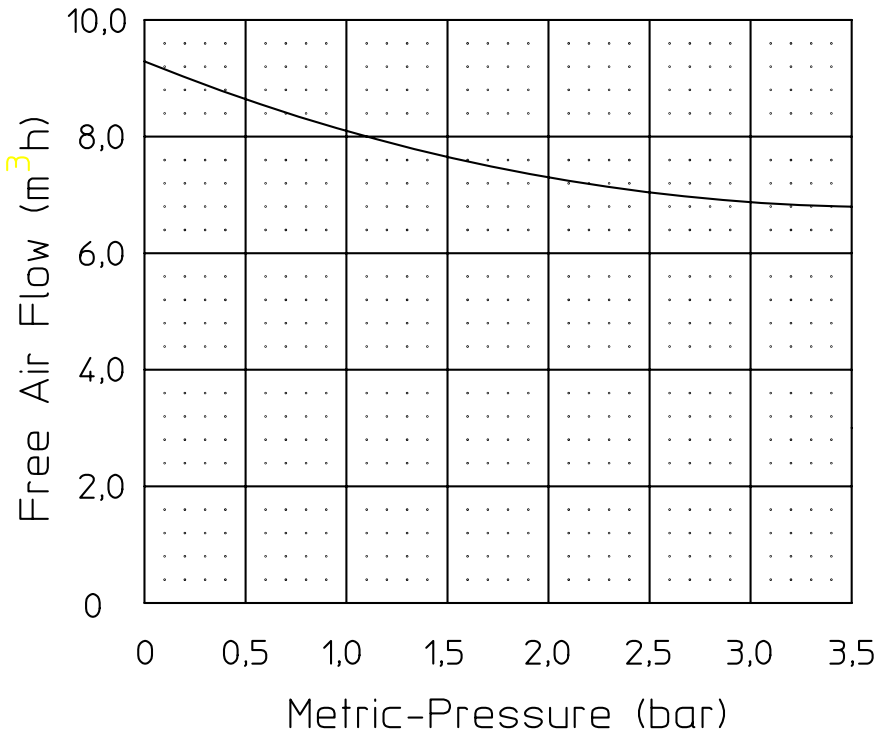
Product Specifications

Model Number	Motor	RPM		HP	kW	Net Wt.	
		60 cycle	50 cycle			lbs.	kg
5LCF-10-M551X	115/208-230-1 60Hz. 100-110/220-240-1 50Hz.	1725	1425	3/4	0,56	39	17,7
5LCF-10B-M551X	115/208-230-1 60Hz. 100-110/220-240-1 50Hz.	1725	1425	3/4	0,56	39	17,7

SOUND LEVEL 73 to 78 dB(A)  
 NORMAL AMBIENT +5 degC - +40 degC  
 RELATIVE HUMIDITY 20% - 80%  
 ENVIRONMENT Clean Dust Free

- NOTES:  
 1. TECHNICAL DATA SUBJECT TO CHANGE WITHOUT NOTICE.  
 2. ALL DIMENSIONS ARE FOR REFERENCE USE ONLY.  
 3. ALL DIMENSIONS ARE IN MILLIMETERS.

PRODUCT PERFORMANCE



PRODUCT DIMENSIONS

Model Number	A	AB	AC	AD	AE	AF	B	H	HC	HD	HE	K	K1	LE	LG	LL	LM
5LCF-10-M551X	124	165	294	156	262	--	76	89	170	227	133	9	32	51	365	178	86

