



GAST MANUFACTURING, INC.
 A Unit of IDEX Corporation
 Post Office Box 97
 Benton Harbor, Michigan
 Ph: 269/926-6171
 Fax: 269/925-8288

PART NUMBER:

RTD750

REV.:

A

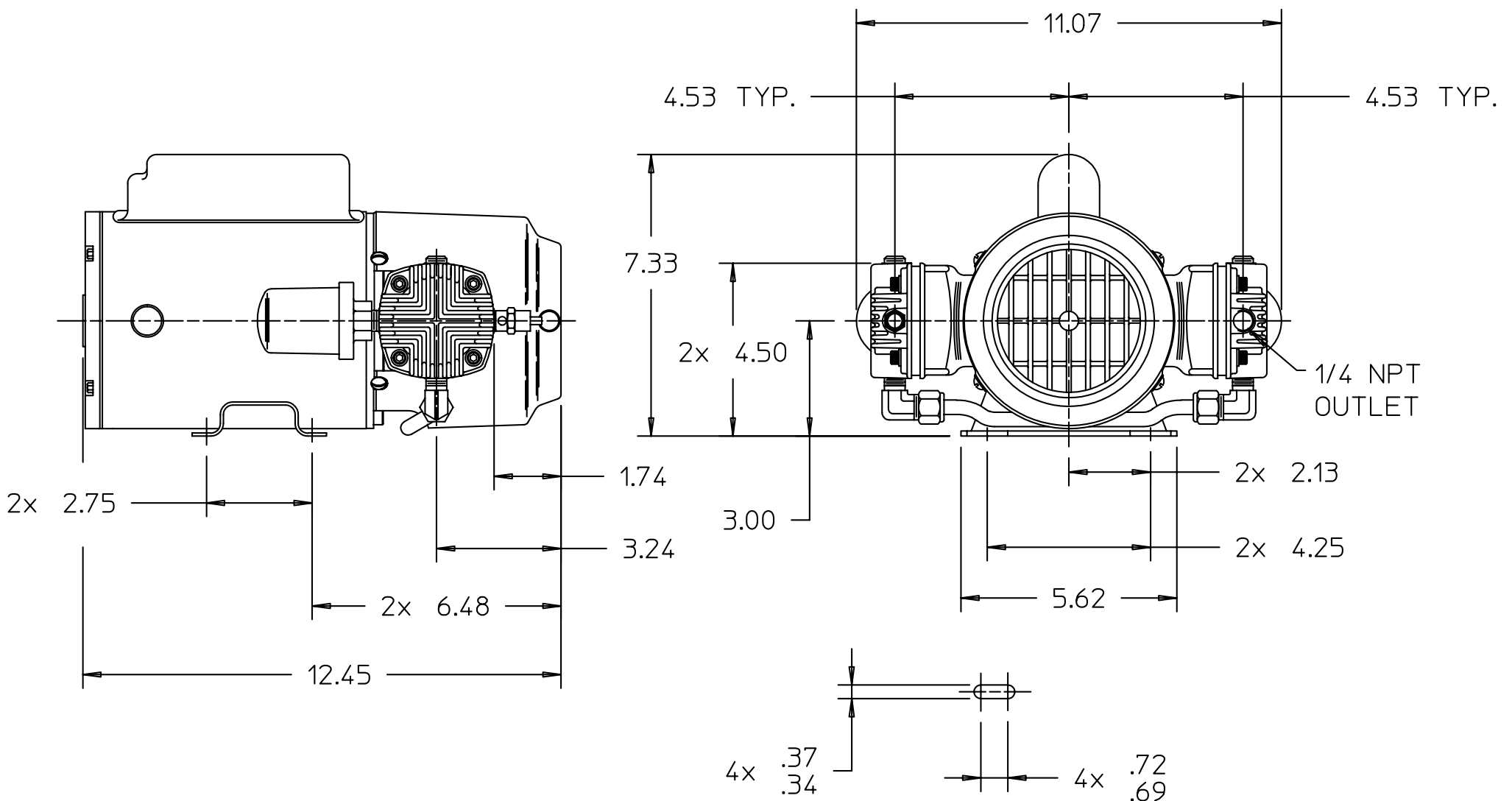
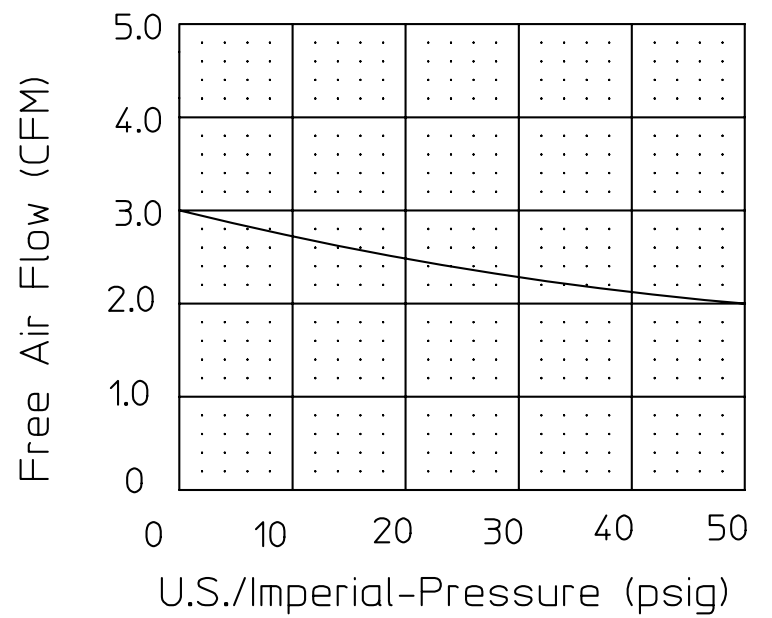
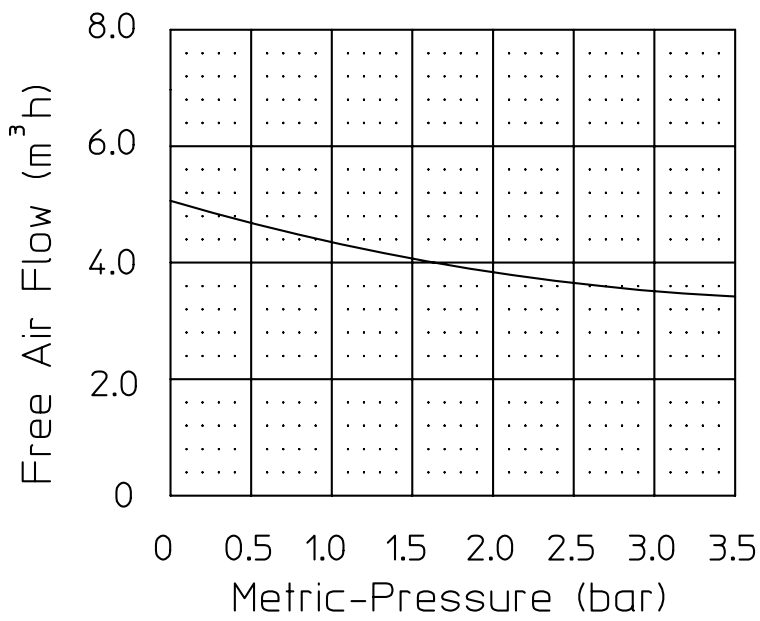
Product Specifications

Model Number	Motor	RPM		HP	kW	Net Wt.	
		60HZ.	50HZ.			lbs.	kg
3LBA-10-M300AX	115	1725		1/3	0,25	24	10,9

NOTES:

1. TECHNICAL DATA SUBJECT TO CHANGE WITHOUT NOTICE.

SOUND LEVEL LESS THAN 75 dB(A)
 NORMAL AMBIENT +5 degC - +40 degC
 RELATIVE HUMIDITY 20% - 80%
 ENVIRONMENT Clean Dust Free





GAST MANUFACTURING, INC.
 A Unit of IDEX Corporation
 Post Office Box 97
 Benton Harbor, Michigan
 Ph: 269/926-6171
 Fax: 269/925-8288

PART NUMBER:

RTD731A

REV.:

A

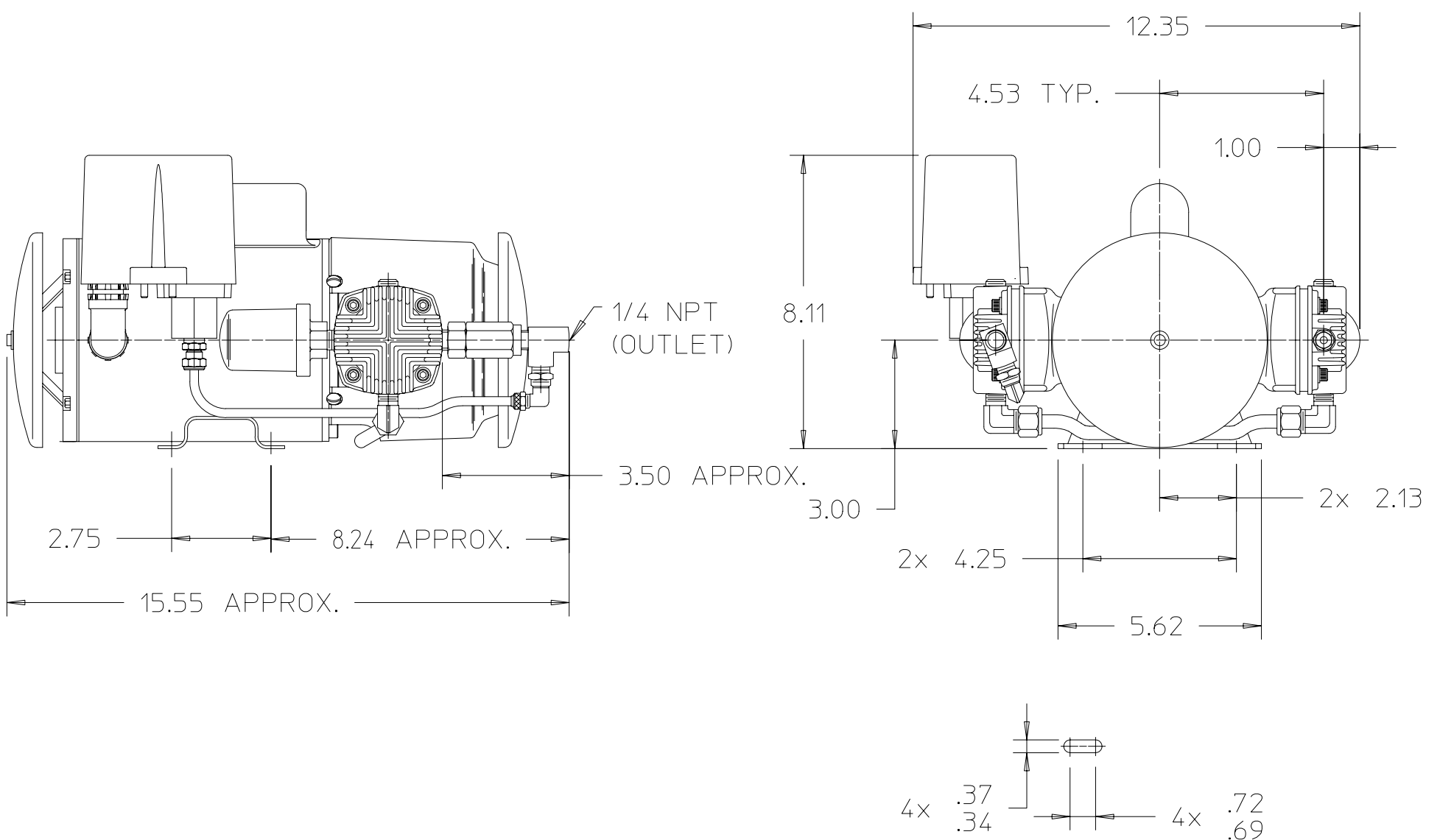
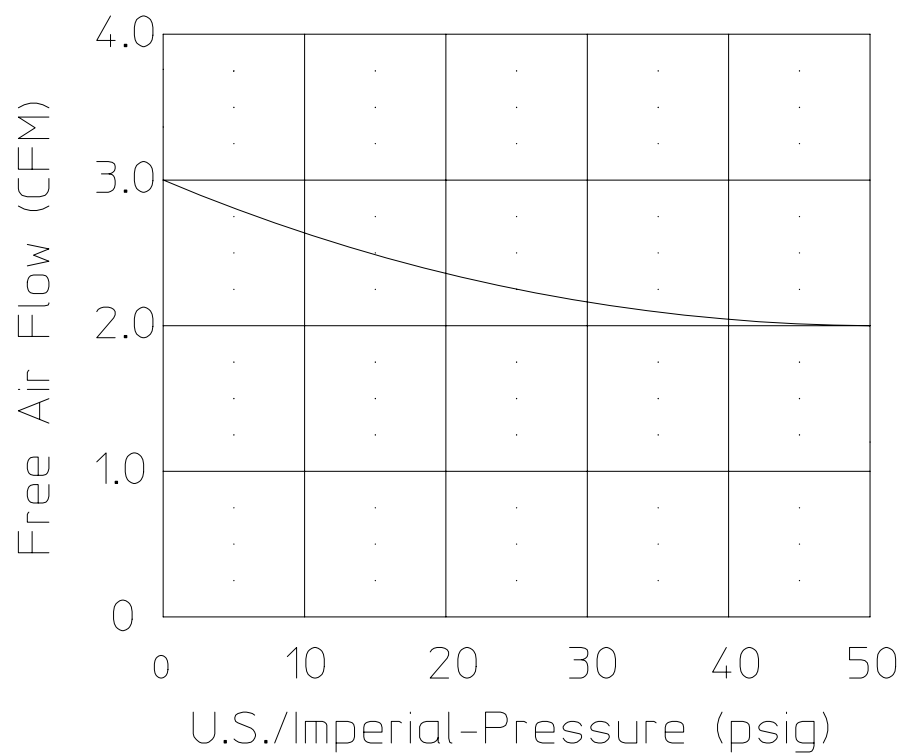
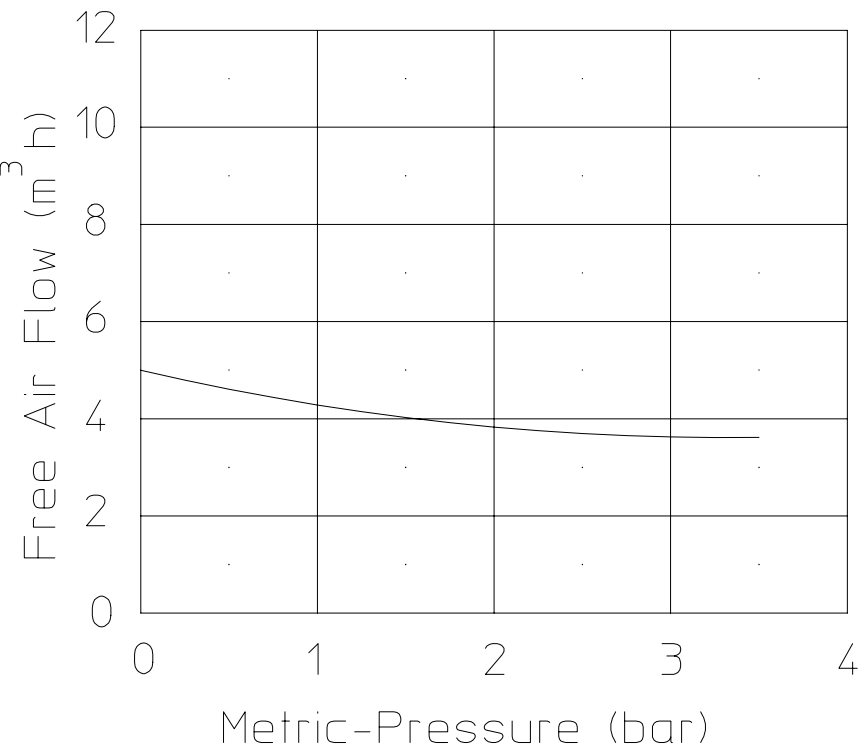
Product Specifications

Model Number	Motor	RPM		HP	kW	Net Wt.	
		60HZ.	50HZ.			lbs.	kg
3LBA-46S-M300AX	115	1725		1/3	0.25	30.2	13.6

NOTES:
 1. TECHNICAL DATA SUBJECT TO CHANGE WITHOUT NOTICE.

SOUND LEVEL LESS THAN 75 dB(A)
 NORMAL AMBIENT +5 degC - +40 degC
 RELATIVE HUMIDITY 20% - 80%
 ENVIRONMENT Clean Dust Free

PRODUCT PERFORMANCE





GAST MANUFACTURING, INC.
 A Unit of IDEX Corporation
 Post Office Box 97
 Benton Harbor, Michigan
 Ph: 269/926-6171
 Fax: 269/925-8288

PART NUMBER:

RTD749

REV.:

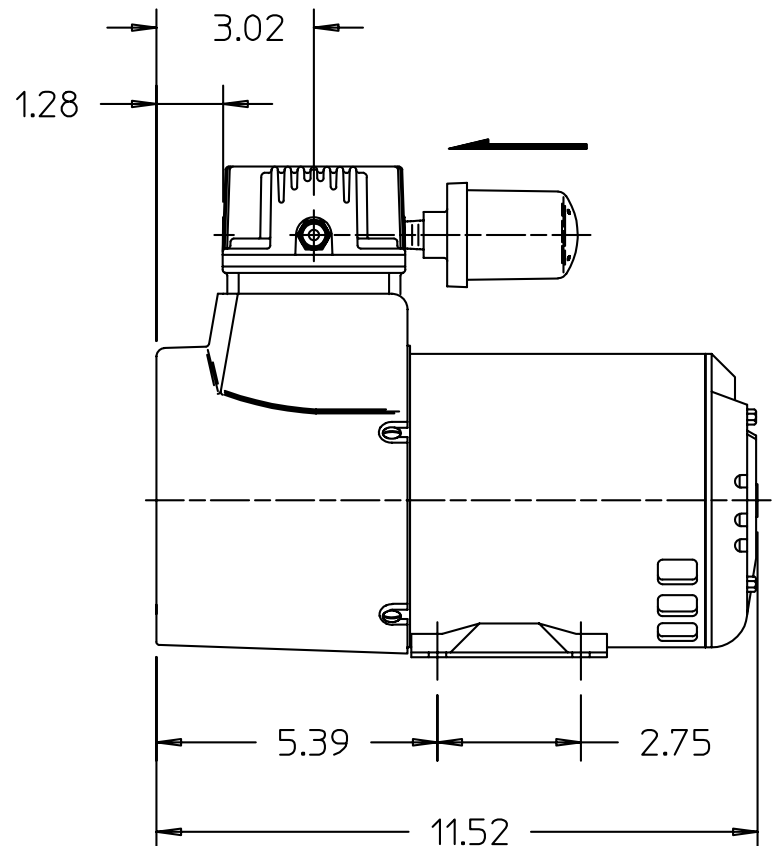
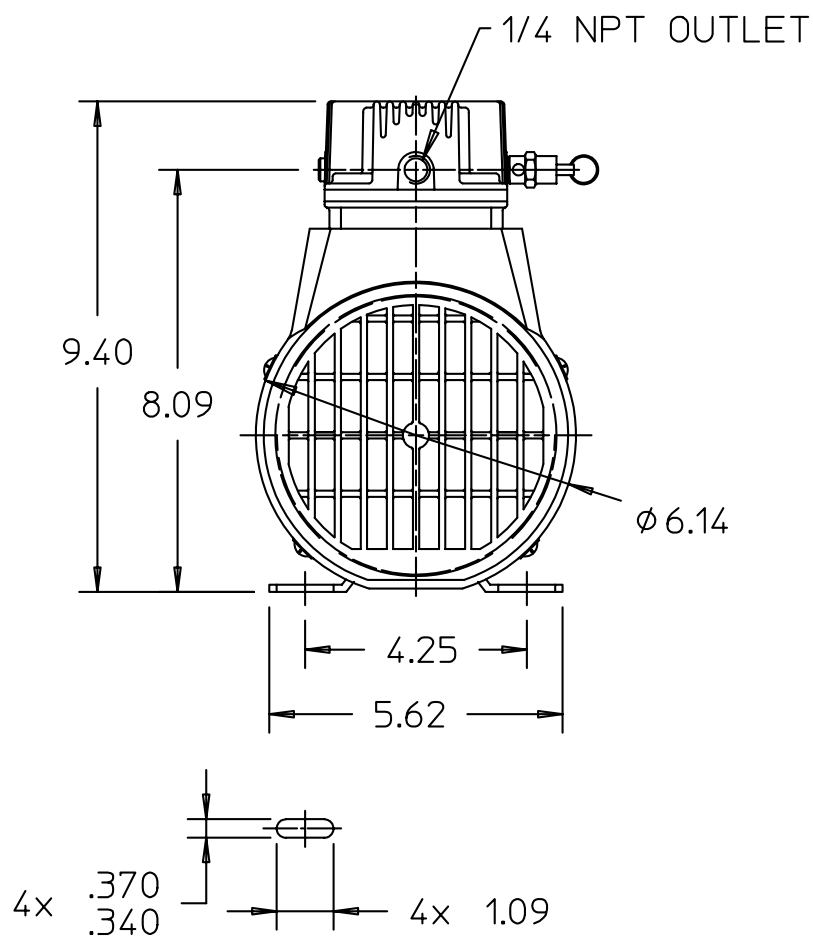
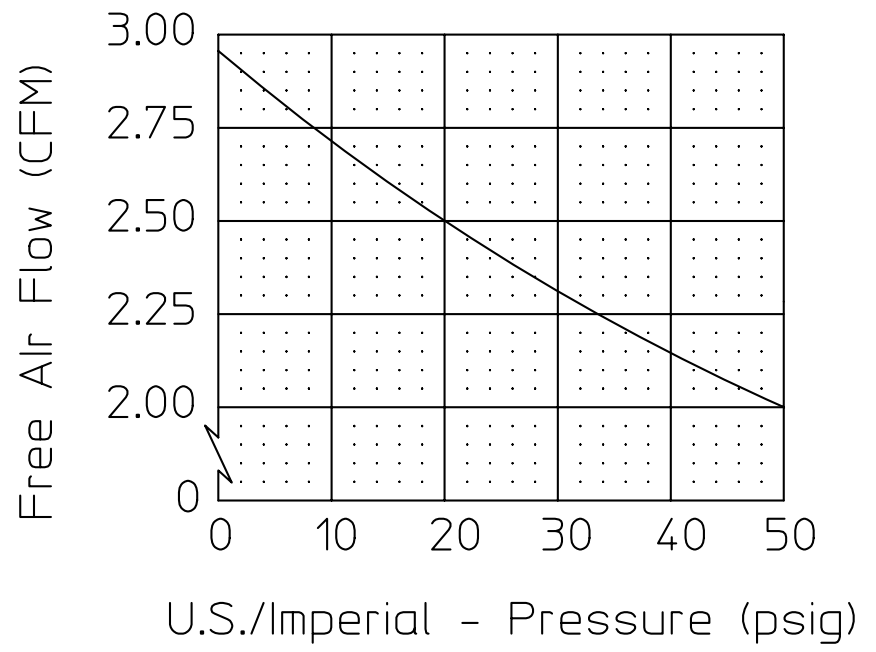
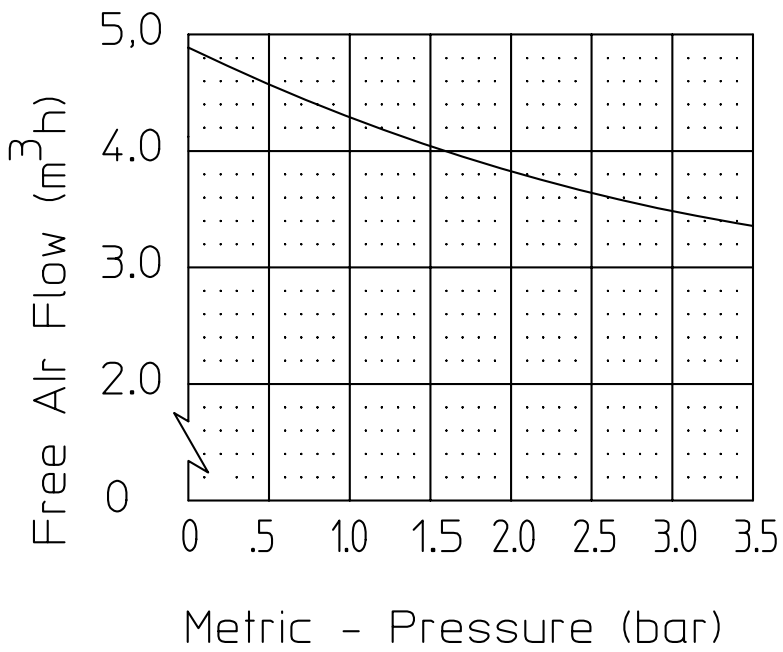
A

Product Specifications

Model Number	Motor	RPM		HP	kW	Net Wt.	
		60HZ.	50HZ.			lbs.	kg
3LEM-10-M345X	115	1725		1/3	0,25	26	11,8

NOTES:
 1. TECHNICAL DATA SUBJECT TO CHANGE WITHOUT NOTICE.

SOUND LEVEL LESS THAN 75 dB(A)
 NORMAL AMBIENT +5 degC - +40 degC
 RELATIVE HUMIDITY 20% - 80%
 ENVIRONMENT Clean Dust Free

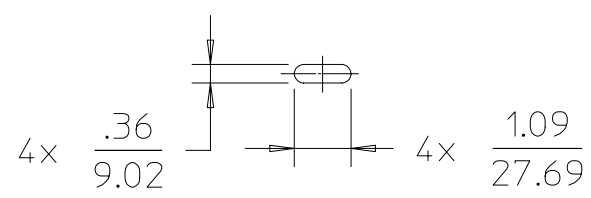
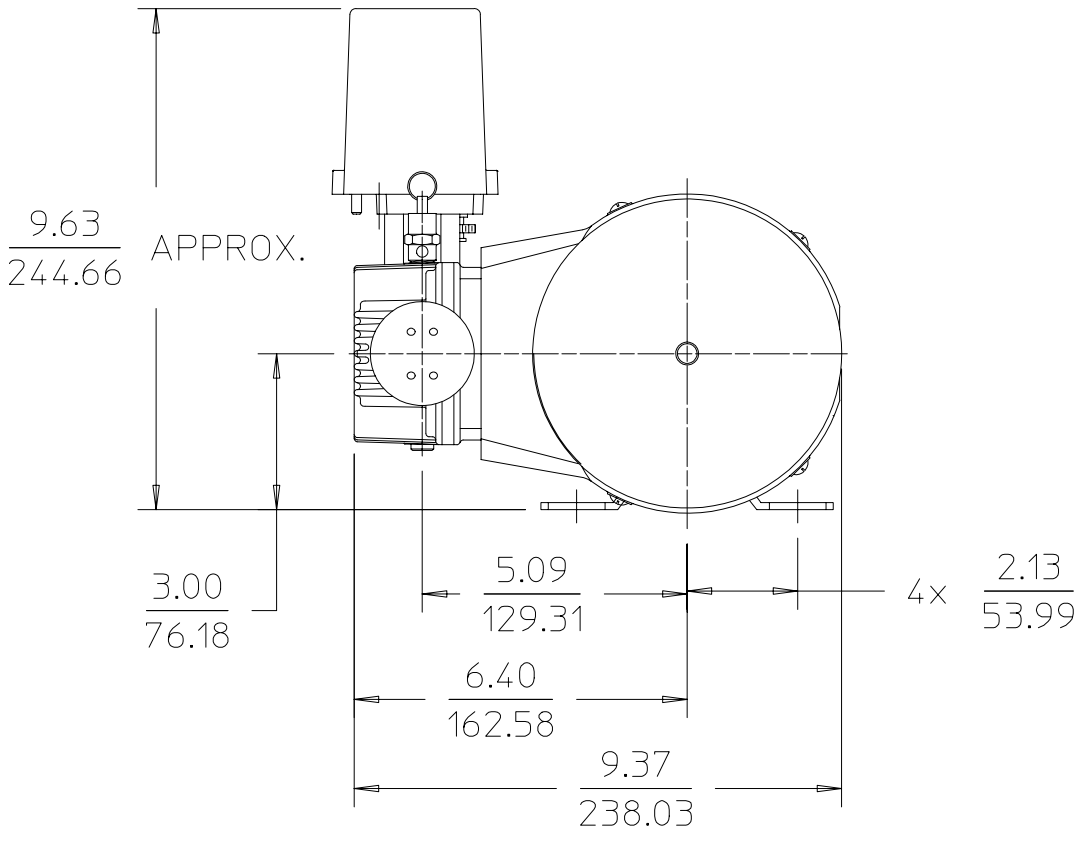
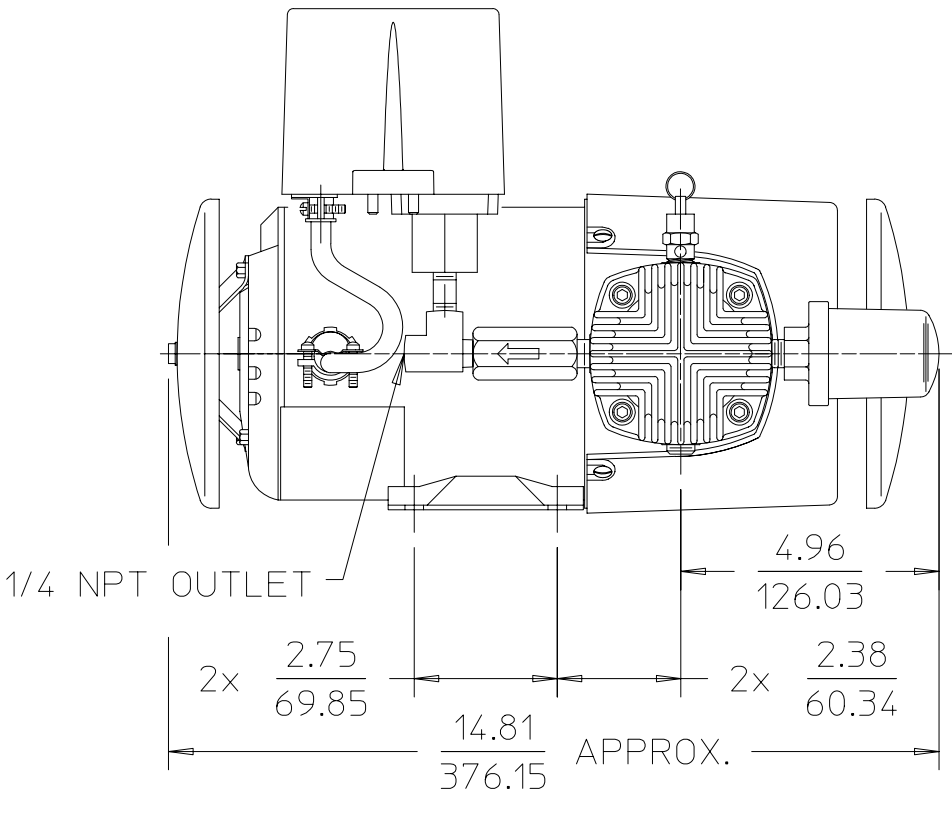




Product Specifications

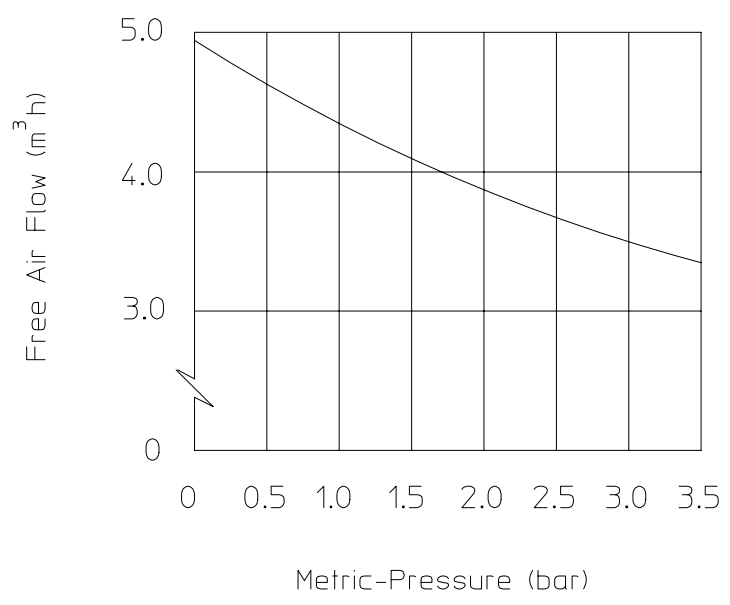
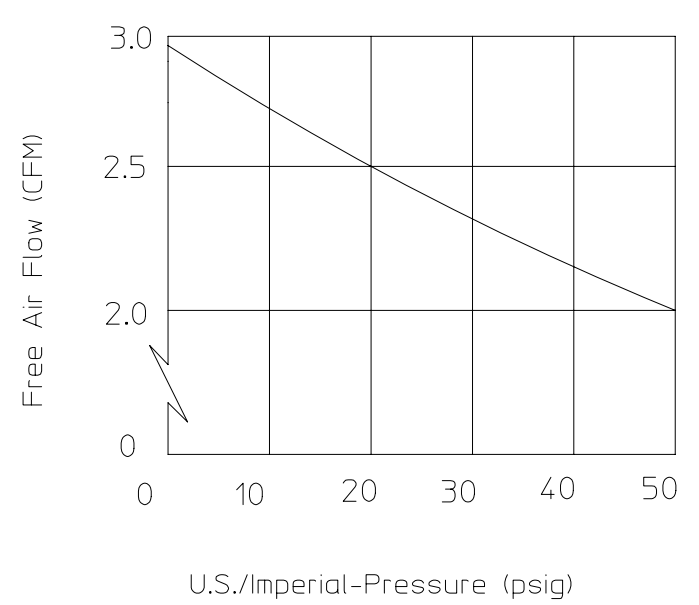
Model	V	HP	kW	Hz	Part Number:	Revision
3LEM-46S-M345EX	115	1/3	0.25	60	RTD656A	A

1725
 <75dBA +5
 +40 °C
 20-80%
 29.2 lbs. / 13.2 kg



- NOTES:
1. ALL DIMENSIONS ARE FOR REFERENCE USE ONLY.
 2. PRODUCT DIMENSIONS: U.S. IMPERIAL (inches) METRIC (mm).
 3. TECHNICAL DATA SUBJECT TO CHANGE WITHOUT NOTICE.
 - 4 ENVIRONMENT: CLEAN DUST FREE.
 5. FACTORY SETTING: CUT-IN 40 PSI± 2 PSI/CUT-OUT 50 PSI ±2 PSI.

PRODUCT PERFORMANCE

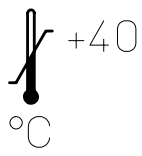




GAST MANUFACTURING, INC.
 A Unit of IDEX Corporation
 Post Office Box 97
 Benton Harbor, Michigan
 Ph: 269/926-6171
 Fax: 269/925-8288

Product Specifications

Model	V	HP	kW	Hz	Part No.	Revision
3LEM-55S-M345EX	115	1/3	0.25	60	RTD694	C



1725

<75dBA

+5

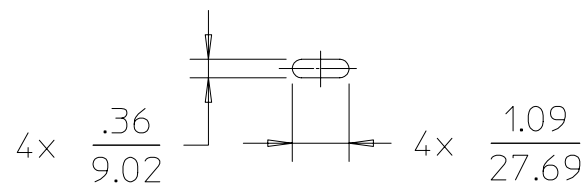
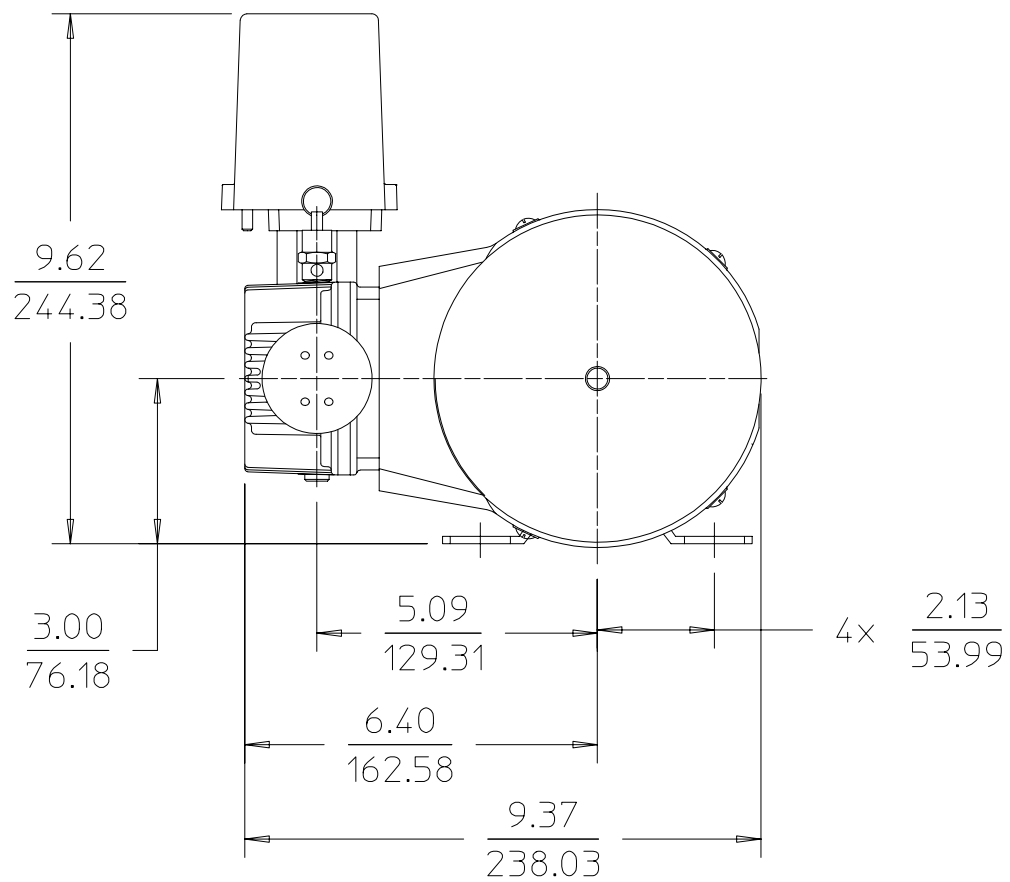
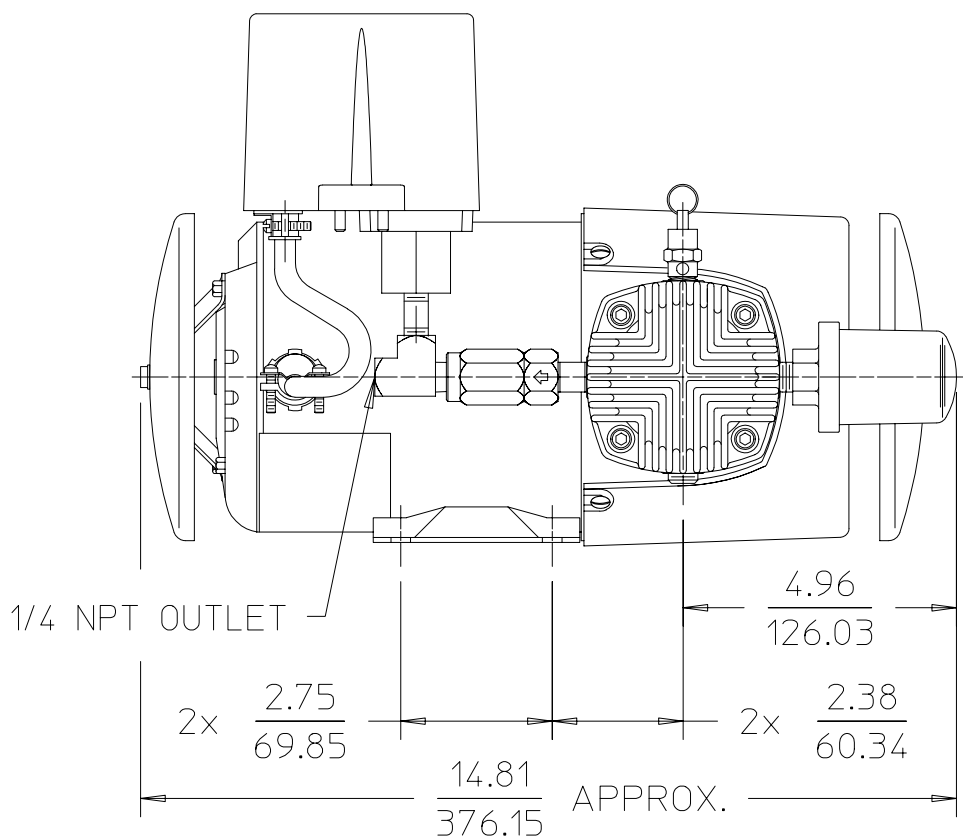
°C

20-80

26 lbs.
11.8 kg

NOTES/NOTAS/NOTES:

1. ALL DIMENSIONS ARE FOR REFERENCE USE ONLY.
2. PRODUCT DIMENSIONS: U.S. IMPERIAL (inches) METRIC (mm).
3. TECHNICAL DATA SUBJECT TO CHANGE WITHOUT NOTICE.
4. ENVIRONMENT: CLEAN DUST FREE.
5. FACTORY SETTING: CUT-IN 13 PSI± 2 PSI/CUT-OUT 18 PSI ±2 PSI



PRODUCT PERFORMANCE

