



Post Office Box 97  
 Benton Harbor, Michigan  
 Ph: 269/926-6171  
 Fax: 269/925-8288

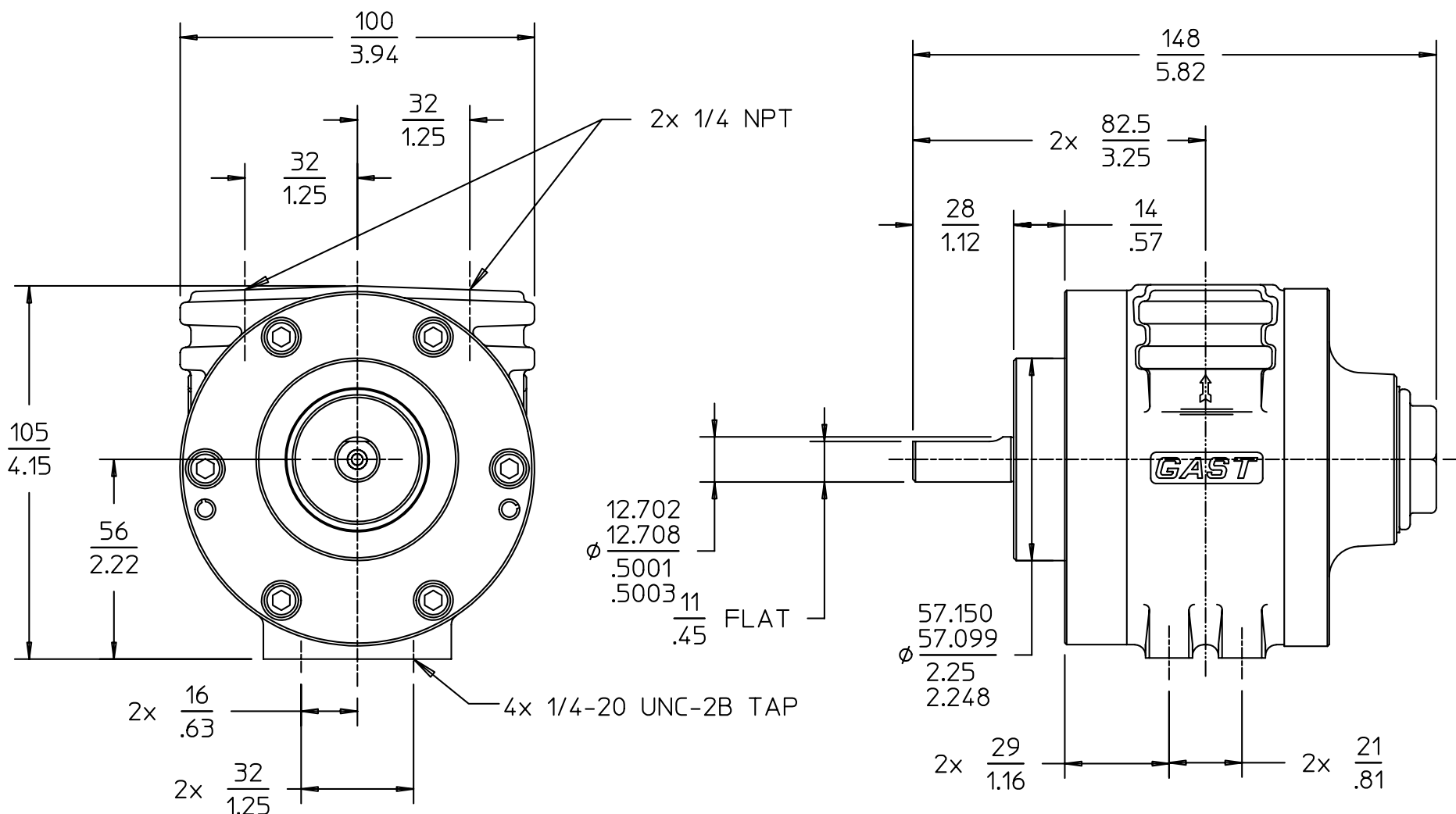
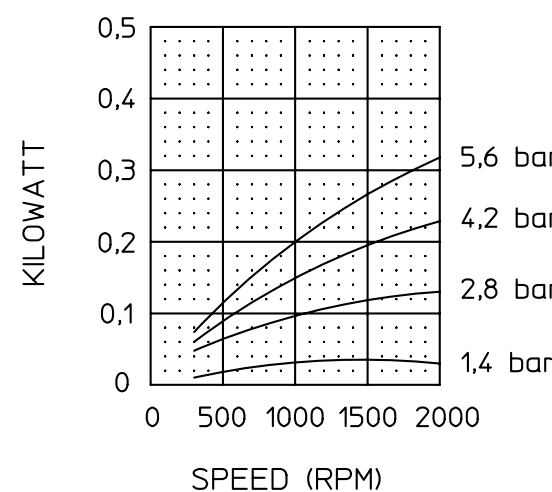
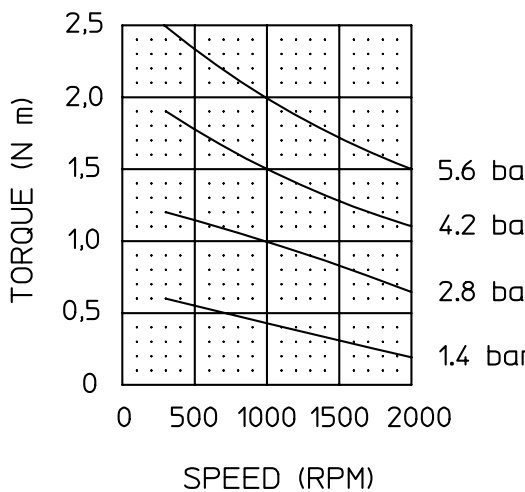
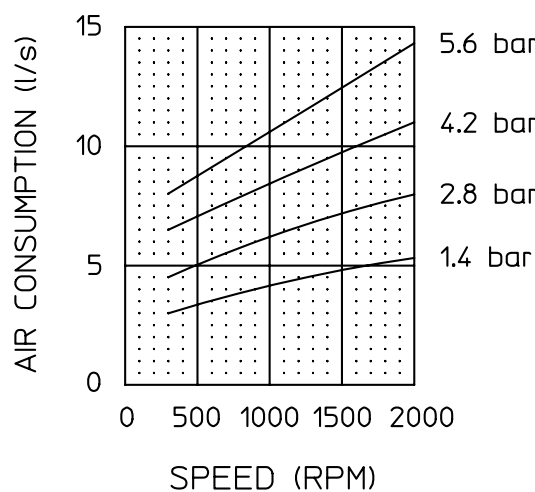
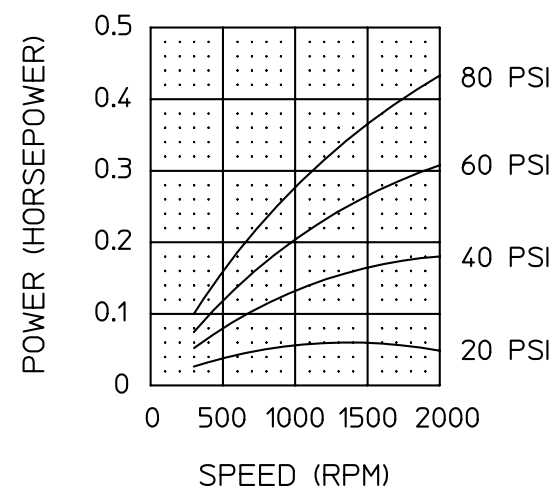
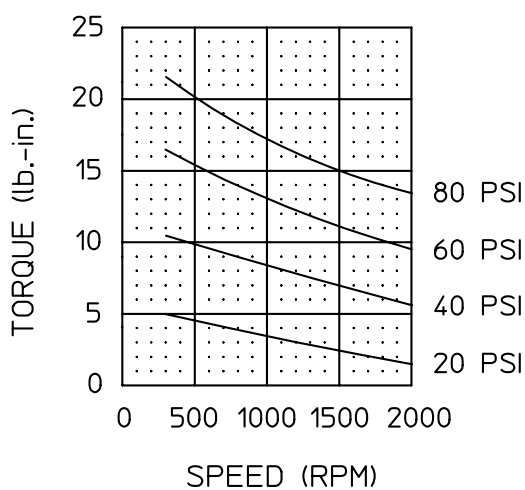
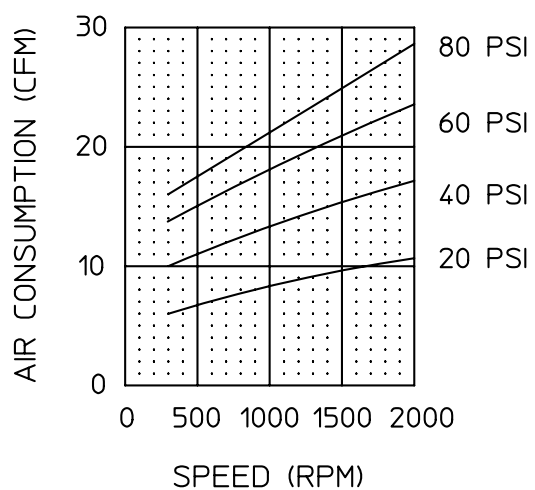
# Product Specifications

PART NUMBER: STD154  
 REVISION: G

Model Number	MAX. PRESS.		MAX. SPEED	HP	kW	Net Wt.	
	bar.	PSI				lbs.	kg
NL32-NCC-1	5.6	80	2,000 RPM	.42	0,31	9.0	4,1

SOUND LEVEL 84 dba MAX.  
 NORMAL AMBIENT +1° C. - 120° C.  
 RELATIVE HUMIDITY 0% - 100%  
 ENVIRONMENT HAZARDOUS AMBIENT COMBUSTIBLE GAS AND DUST +1°C TO +40°C

TECHNICAL DATA SUBJECT TO CHANGE WITHOUT NOTICE.  
 METRIC (mm), U.S. IMPERIAL (inches).  
 ALL DIMENSIONS ARE REFERENCE ONLY UNLESS TOLERANCED.  
 CONFORMS TO EUROPEAN STANDARD EN13463-1  
 NON-ELECTRICAL EQUIPMENT FOR EXPLOSIVE  
 ATMOSPHERES GROUP 11 CAT 2 (GAS & DUST),  
 PROTECTED BY CONSTRUCTION (SURFACE TEMP. RATED 135C).





GAST MANUFACTURING, INC.  
 A Unit of IDEX Corporation  
 Post Office Box 97  
 Benton Harbor, Michigan  
 Ph: 269/926-6171  
 Fax: 269/925-8288

PART NUMBER:

STD456

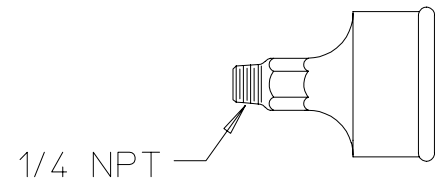
REV.:

A

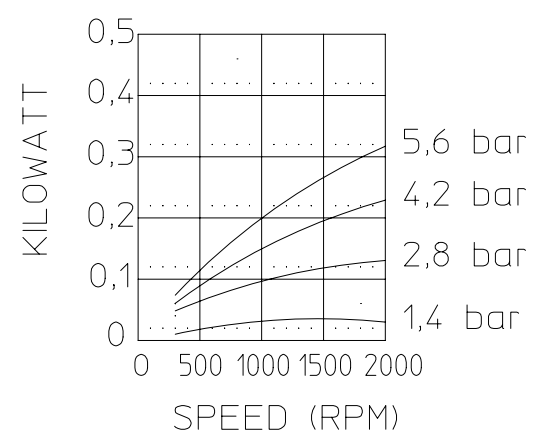
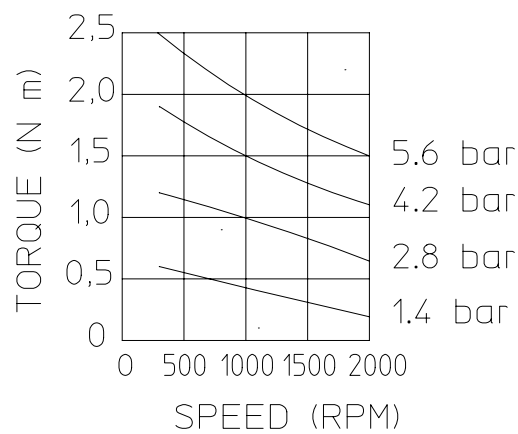
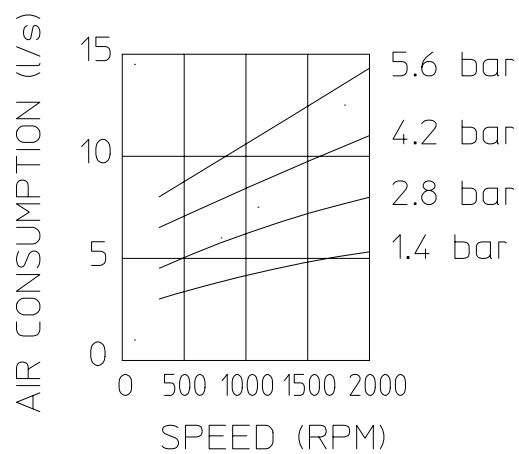
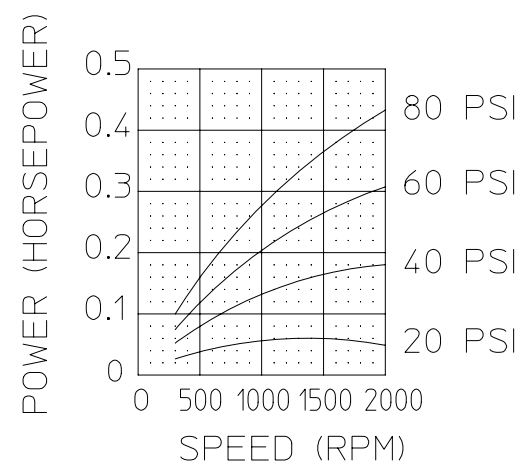
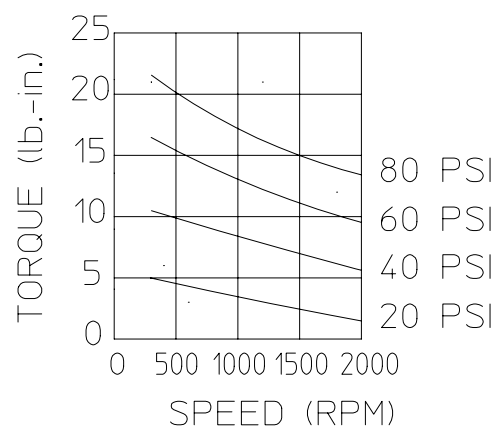
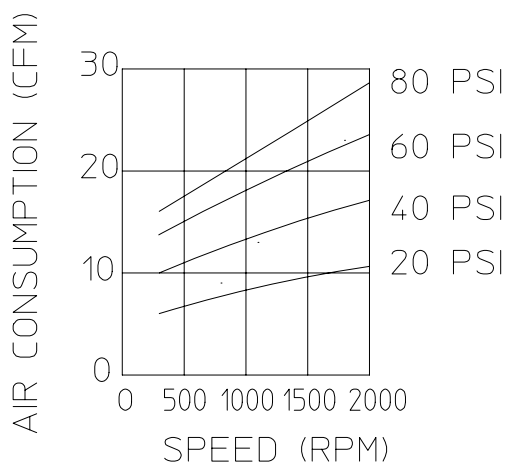
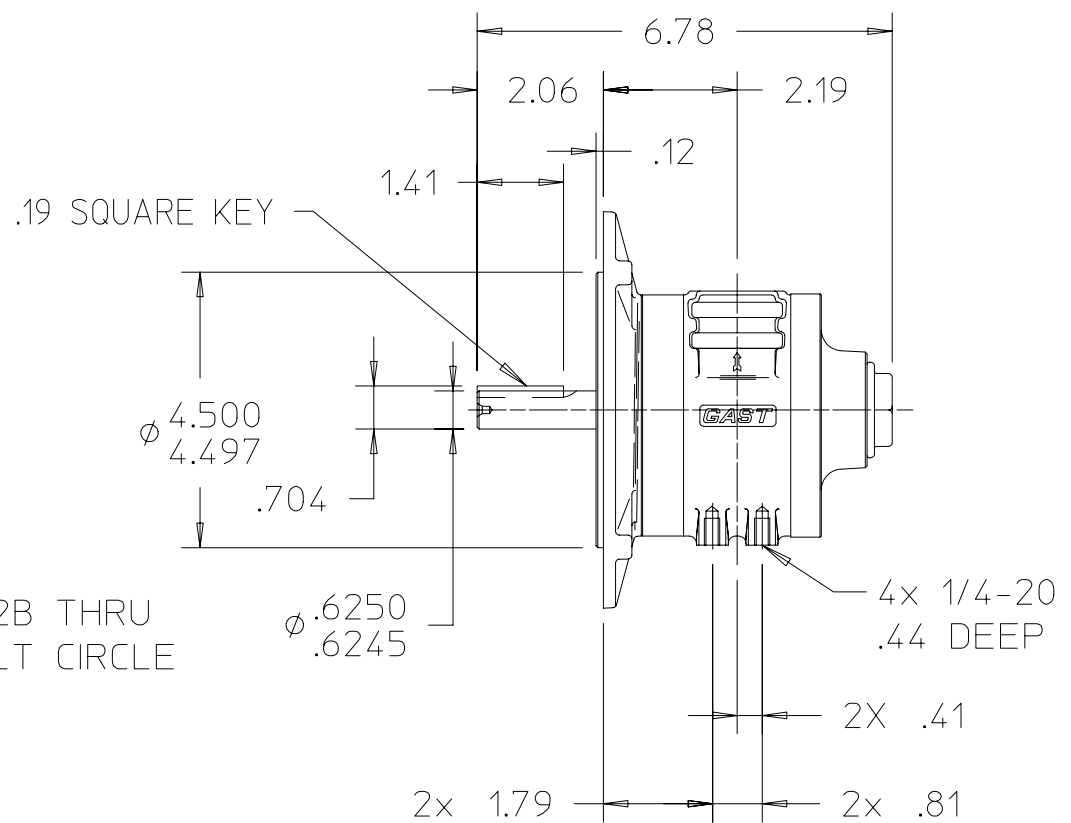
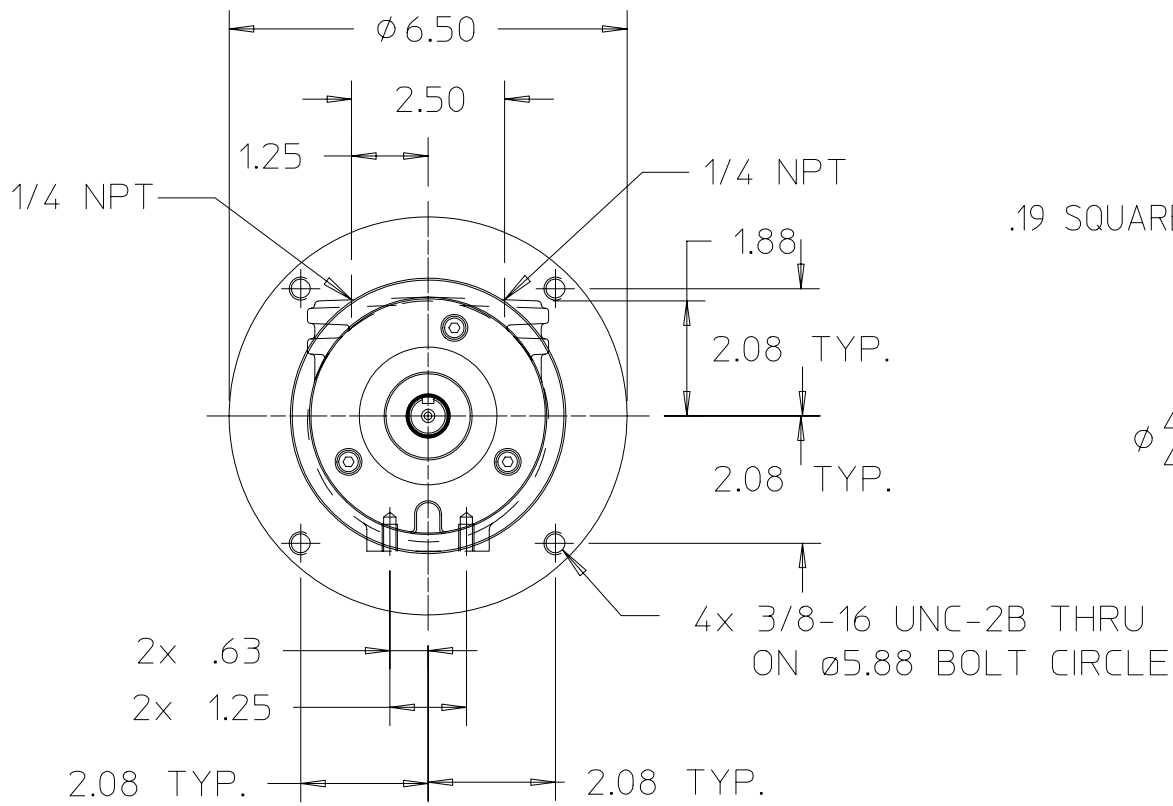
NOTES:

1. TECHNICAL DATA SUBJECT TO CHANGE WITHOUT NOTICE.
2. CONFORMS TO EUROPEAN STANDARD EN13463-1  
 NON-ELECTRICAL EQUIPMENT FOR EXPLOSIVE  
 ATMOSPHERES GROUP 11 CAT 2 (GAS & DUST),  
 PROTECTED BY CONSTRUCTION (SURFACE TEMP. RATED 135C).

SOUND LEVEL	84 dB(A) MAX.
NORMAL AMBIENT	+1 degC - +120 degC
RELATIVE HUMIDITY	0% - 100%
ENVIRONMENT	HAZARDOUS AMBIENT COMBUSTIBLE GAS AND DUST +1°C TO +40°C



MUFFLER ASSEMBLY



Product Specifications

Model Number	MAX. PRESS.		MAX. SPEED	HP	kW	Net Wt.	
	bar.	PSI				lbs.	kg
NL32-NCC-5	5.6	80	2,000	.42	0.31	9.0	4.1



GAST MANUFACTURING, INC.  
 A Unit of IDEX Corporation  
 Post Office Box 97  
 Benton Harbor, Michigan  
 Ph: 269/926-6171  
 Fax: 269/925-8288

PART NUMBER:

STD137

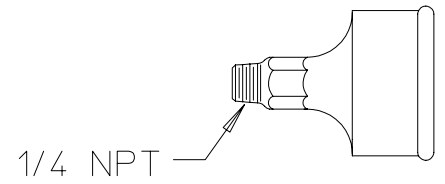
REV.:

J

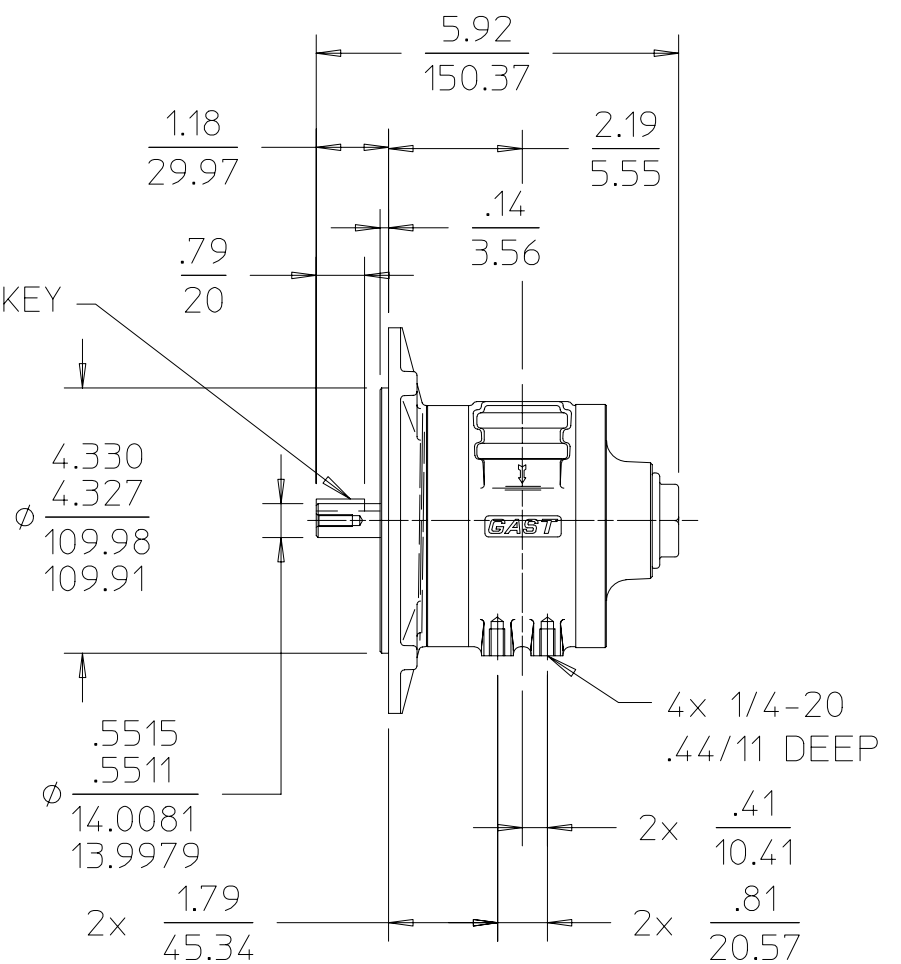
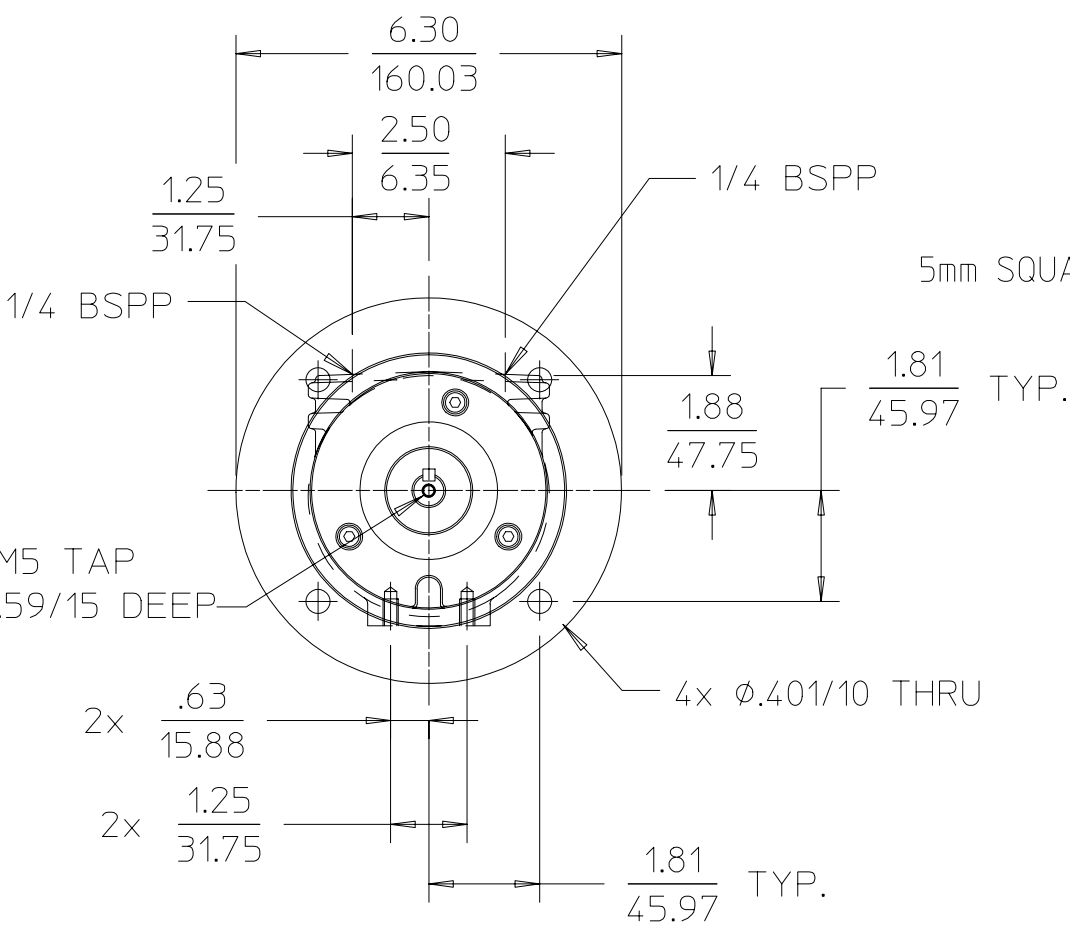
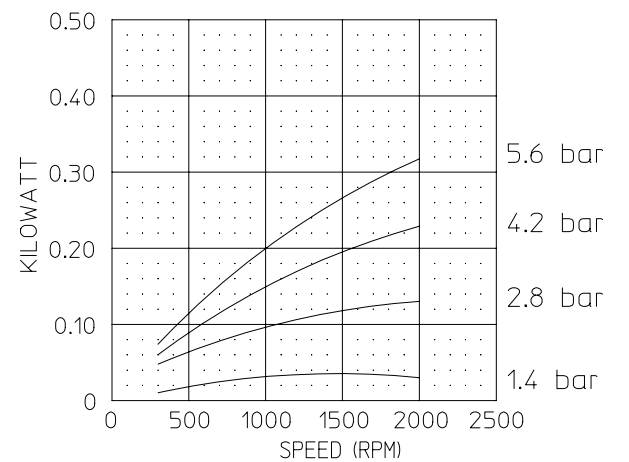
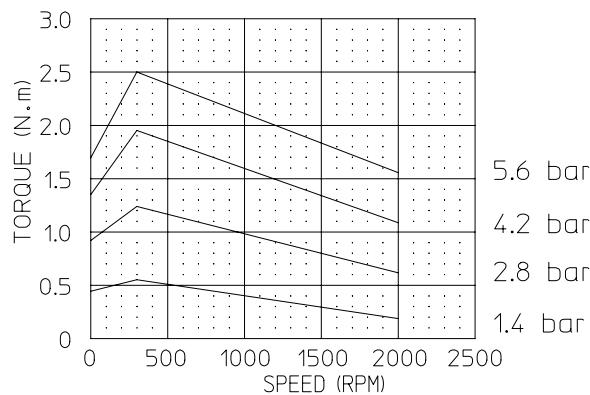
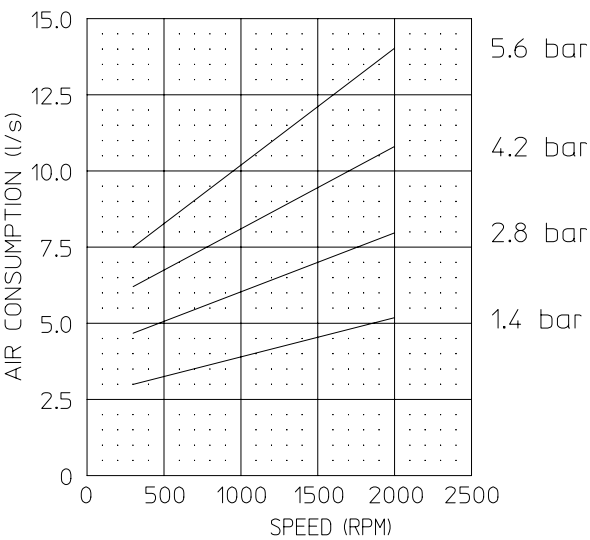
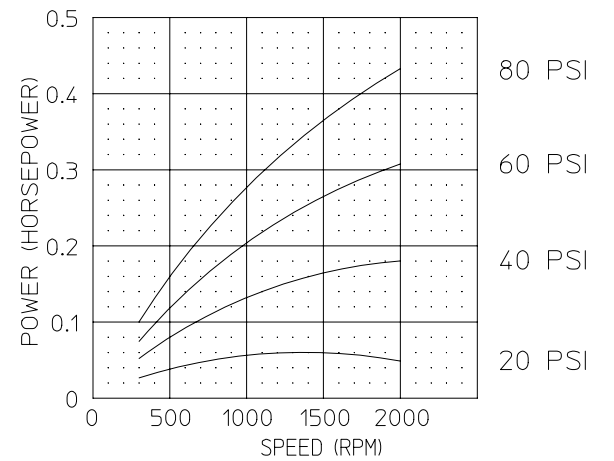
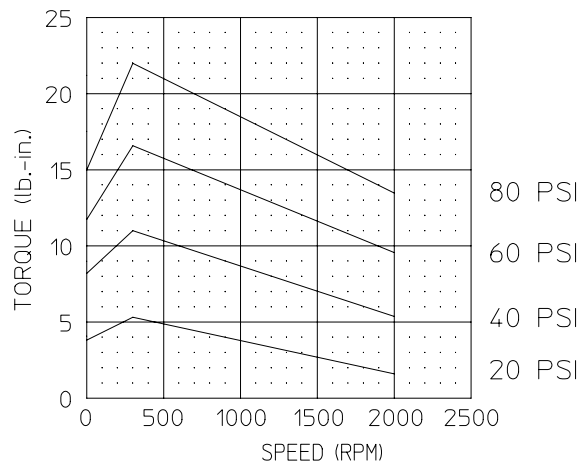
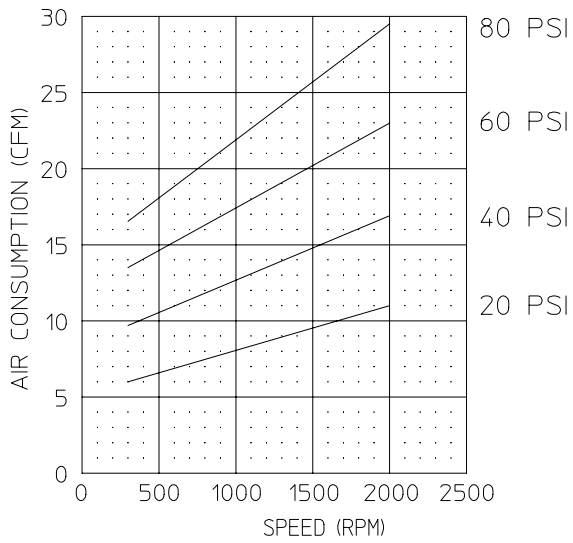
NOTES:

1. TECHNICAL DATA SUBJECT TO CHANGE WITHOUT NOTICE.
2. CONFORMS TO EUROPEAN STANDARD EN13463-1 NON-ELECTRICAL EQUIPMENT FOR EXPLOSIVE ATMOSPHERES GROUP II CAT 2 (GAS & DUST), PROTECTED BY CONSTRUCTION (SURFACE TEMP RATED 135C)

SOUND LEVEL	84 dB(A) MAX.
NORMAL AMBIENT	+1° C. - 120° C.
RELATIVE HUMIDITY	0% - 100%
ENVIROMENT	HAZARDOUS AMBIENT COMBUSTIBLE GAS AND DUST +1°C TO +40°C



MUFFLER ASSEMBLY



Product Specifications

Model Number	MAX. PRESS.		MAX. SPEED	HP	kW	Net Wt.	
	bar.	PSI				lbs.	kg
NL32-NCC-7	5,6	80	2,000 RPM	.42	0.32	6.6	3,0
NL32-NCW-8	5,6	80	2,000 RPM	.42	0.32	6.6	3,0



Post Office Box 97  
 Benton Harbor, Michigan  
 Ph: 269/926-6171  
 Fax: 269/925-8288

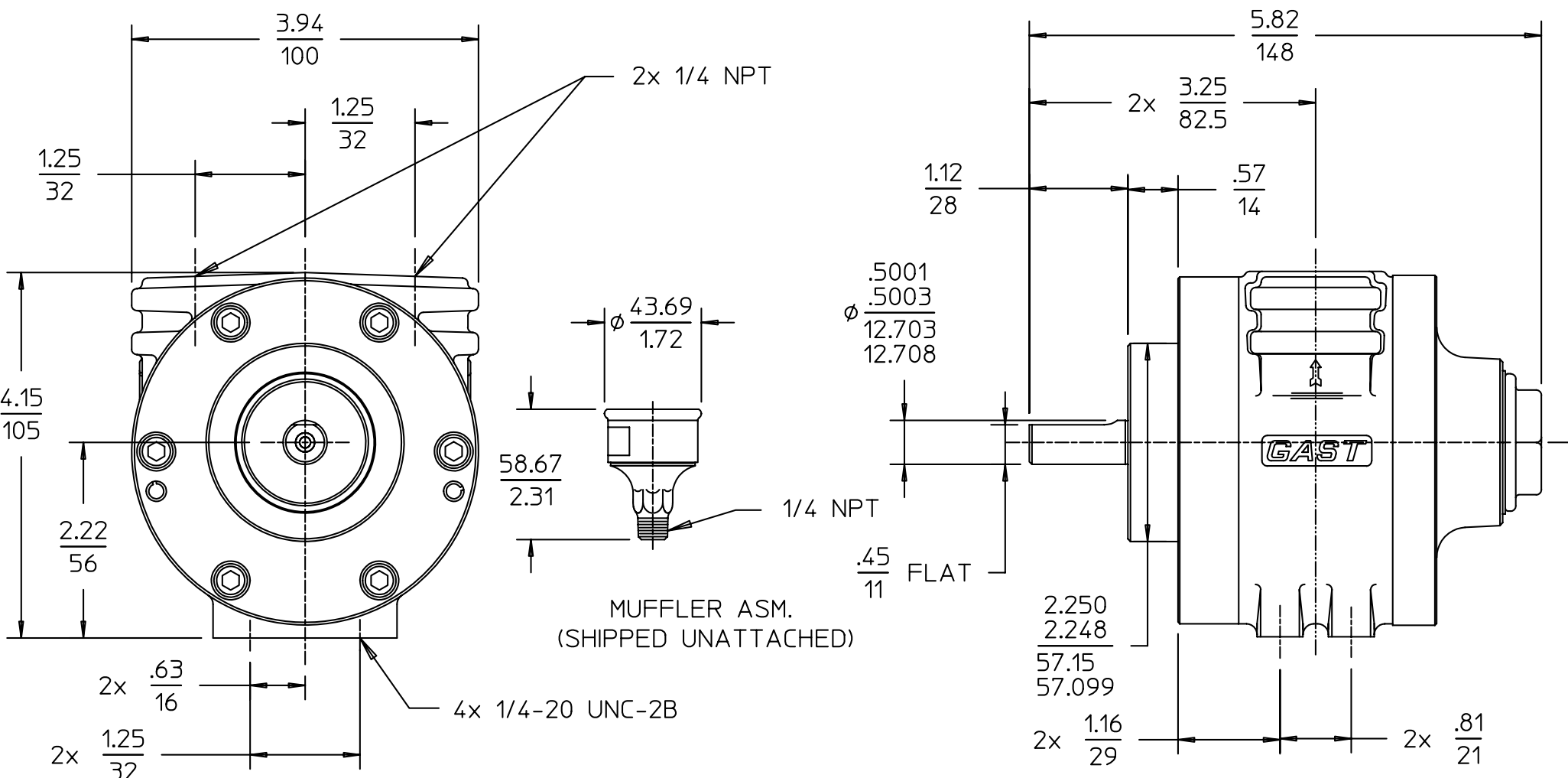
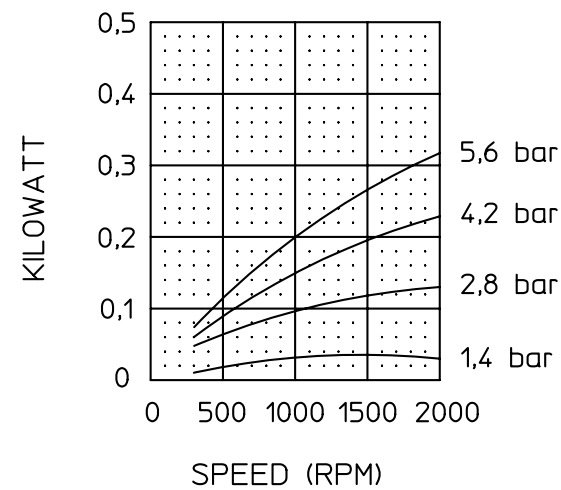
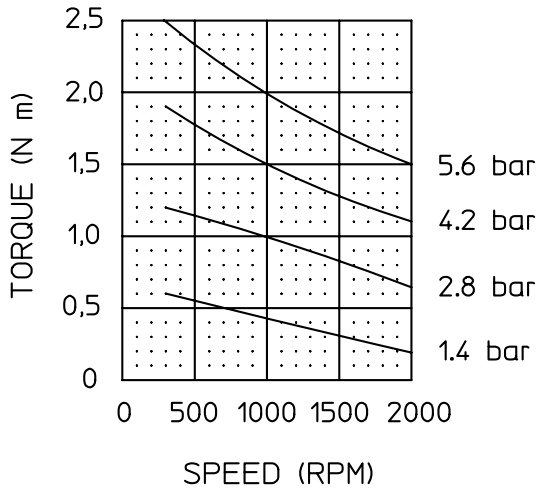
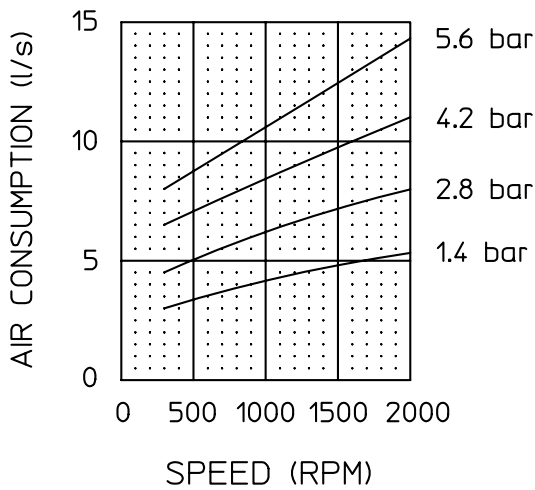
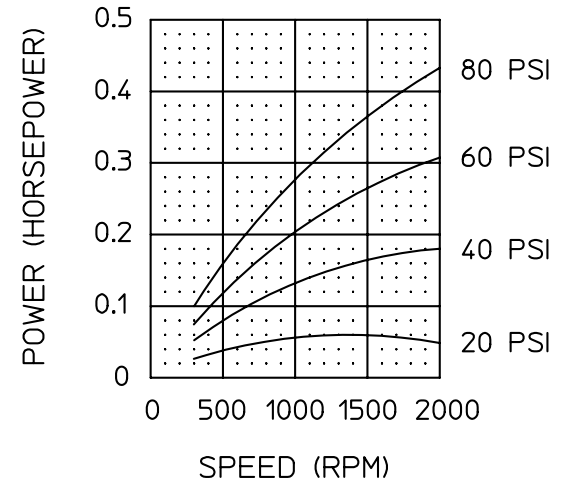
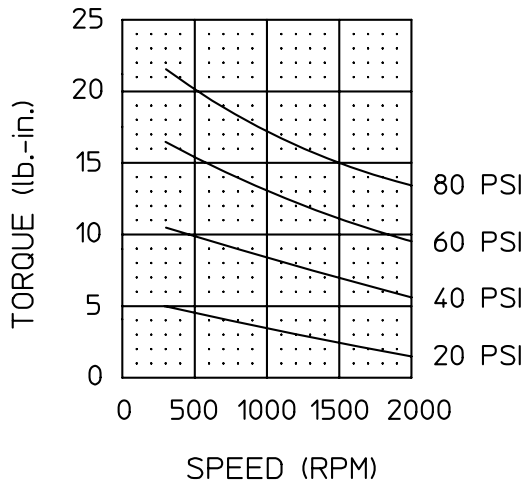
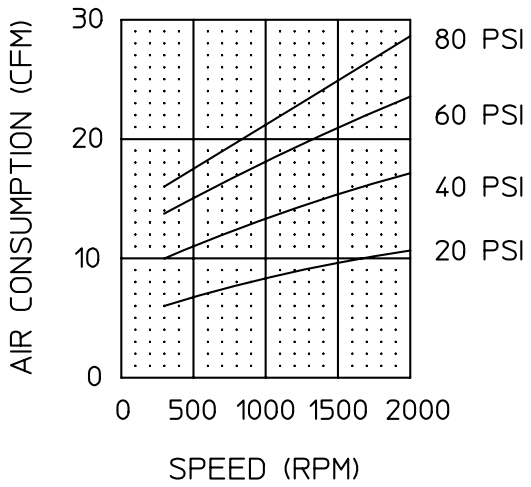
PART NUMBER: STD202  
 REVISION: H

# Product Specifications

Model Number	MAX. PRESS.		MAX. SPEED	HP	kW	Net Wt.	
	bar.	PSI				lbs.	kg
NL32-NCW-2	5.6	80	2,000 RPM	.42	0,31	9.0	4,1

SOUND LEVEL 84 dba MAX.  
 NORMAL AMBIENT +1° C. - 120° C.  
 RELATIVE HUMIDITY 0% - 100%  
 ENVIRONMENT HAZARDOUS AMBIENT COMBUSTIBLE  
GAS AND DUST +1°C TO +40°C

TECHNICAL DATA SUBJECT TO CHANGE WITHOUT NOTICE.  
 METRIC (mm), U.S. IMPERIAL (inches).  
 ALL DIMENSIONS ARE REFERENCE ONLY UNLESS TOLERANCED.  
 CONFORMS TO EUROPEAN STANDARD EN13463-1  
 NON-ELECTRICAL EQUIPMENT FOR EXPLOSIVE  
 ATMOSPHERES GROUP 11 CAT 2 (GAS & DUST),  
 PROTECTED BY CONSTRUCTION (SURFACE TEMP. RATED 135C).





GAST MANUFACTURING, INC.  
 A Unit of IDEX Corporation  
 Post Office Box 97  
 Benton Harbor, Michigan  
 Ph: 269/926-6171  
 Fax: 269/925-8288

PART NUMBER:

STD144

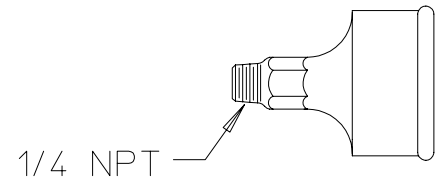
REV.:

G

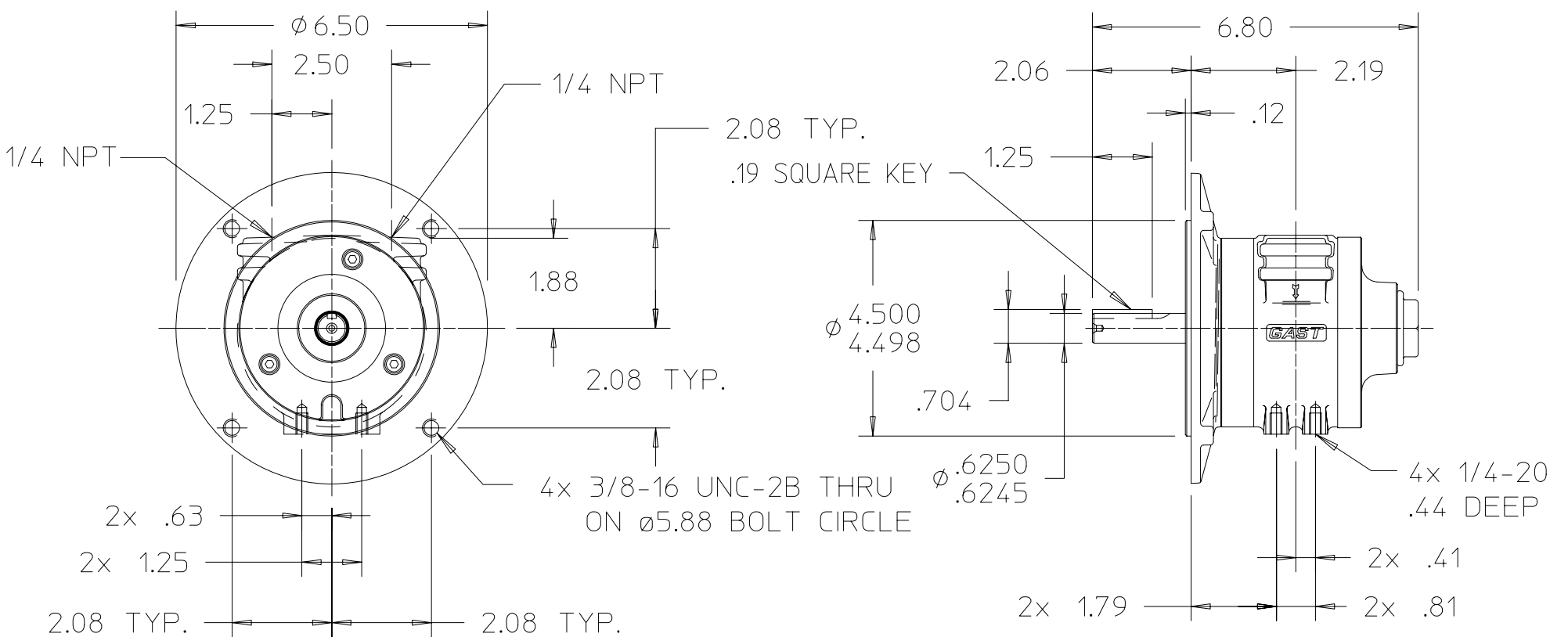
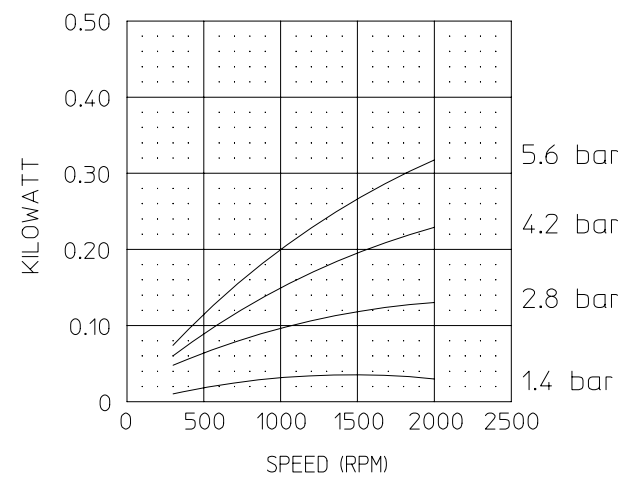
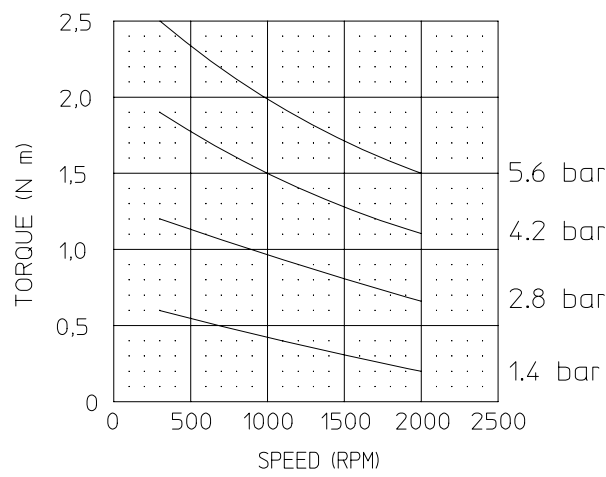
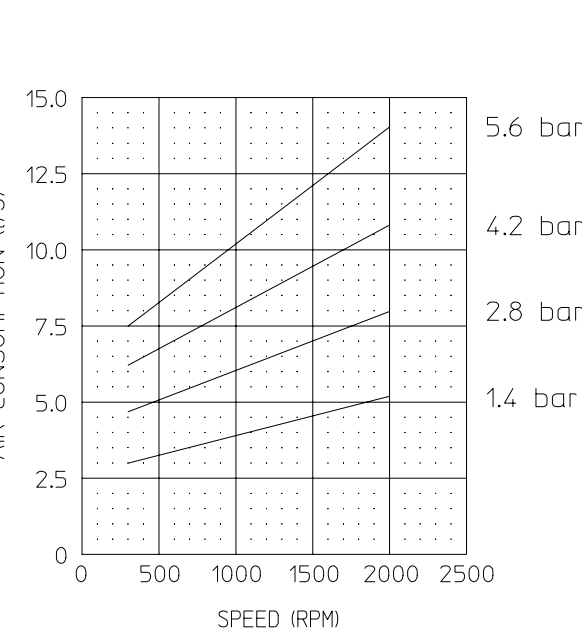
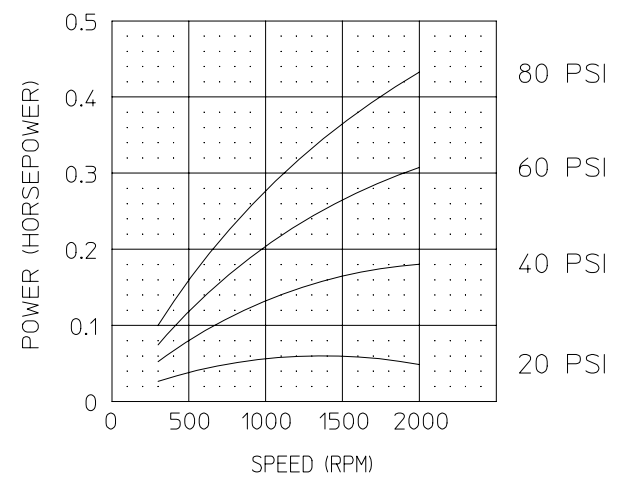
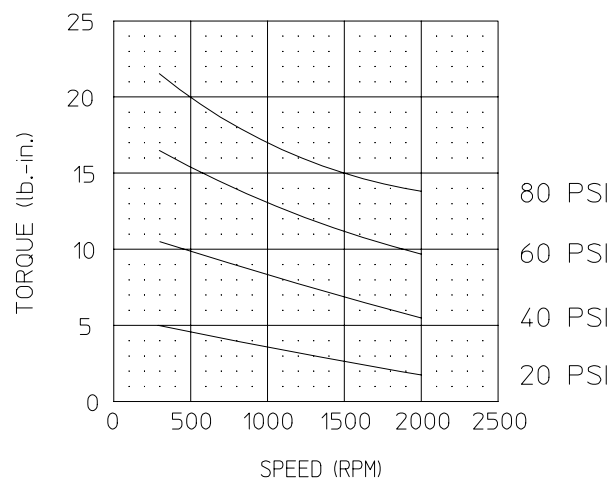
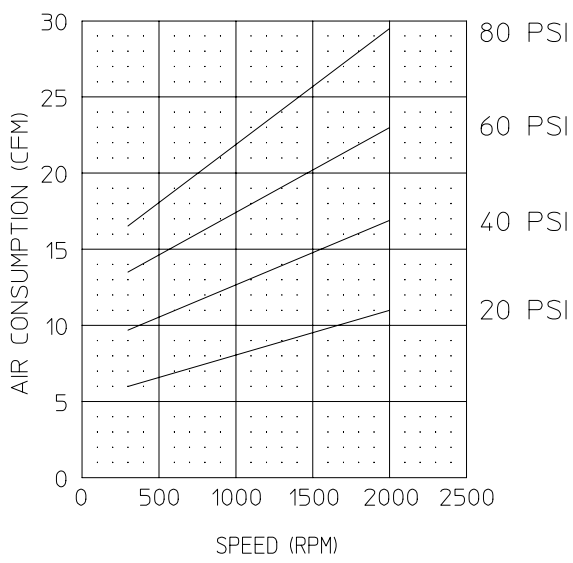
NOTES:

1. TECHNICAL DATA SUBJECT TO CHANGE WITHOUT NOTICE.
2. CONFORMS TO EUROPEAN STANDARD EN13463-1 NON-ELECTRICAL EQUIPMENT FOR EXPLOSIVE ATMOSPHERES GROUP II CAT 2 (GAS & DUST), PROTECTED BY CONSTRUCTION (SURFACE TEMP RATED 135C)

SOUND LEVEL	84 dB(A) MAX.
NORMAL AMBIENT	+1° C. - 120° C.
RELATIVE HUMIDITY	0% - 100%
ENVIROMENT	HAZARDOUS AMBIENT COMBUSTIBLE GAS AND DUST +1°C TO +40°C



MUFFLER ASSEMBLY



Product Specifications

Model Number	MAX. PRESS.		MAX. SPEED	HP	kW	Net Wt.	
	bar.	PSI				lbs.	kg
NL32-NCW-6	5,6	80	2,000 RPM	.42	0.31	12.0	5.4



GAST MANUFACTURING, INC.  
 A Unit of IDEX Corporation  
 Post Office Box 97  
 Benton Harbor, Michigan  
 Ph: 269/926-6171  
 Fax: 269/925-8288

PART NUMBER:

STD137

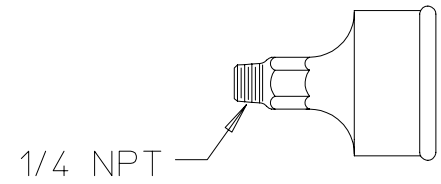
REV.:

J

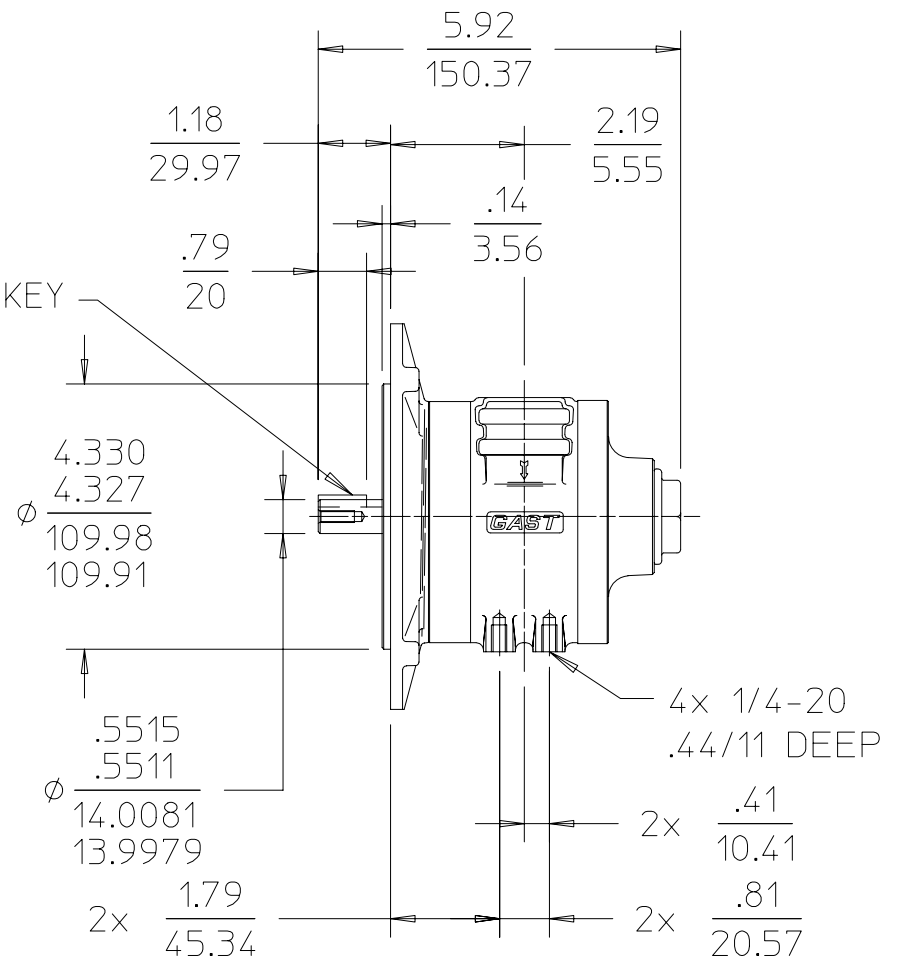
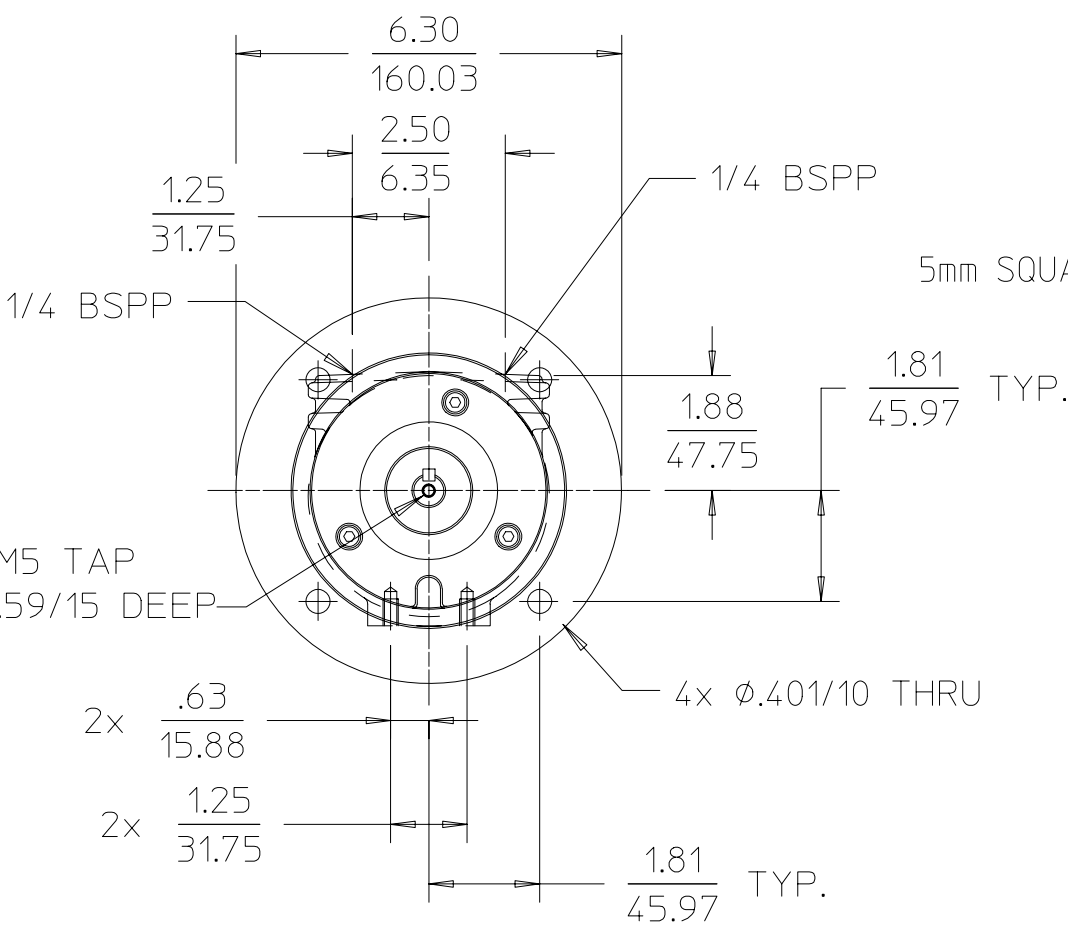
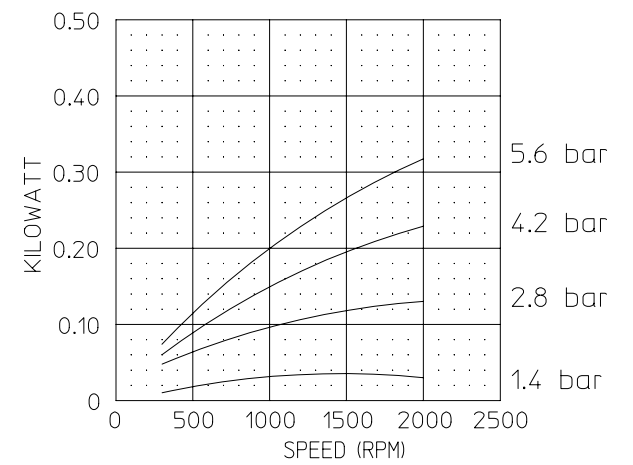
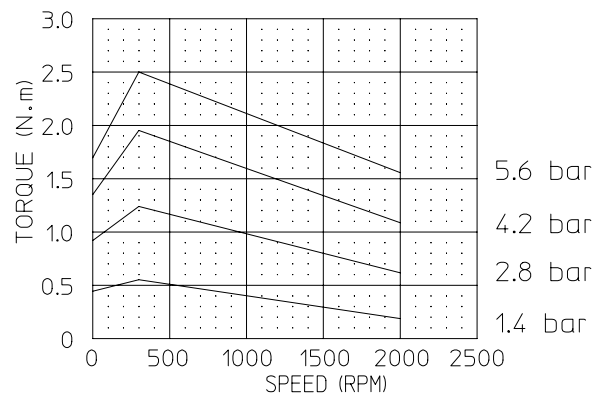
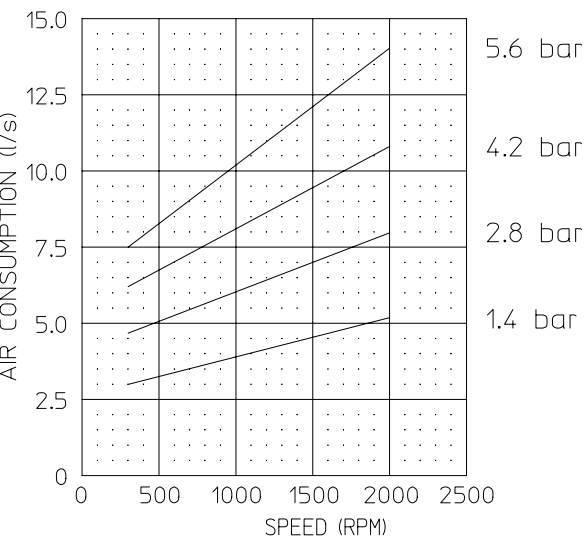
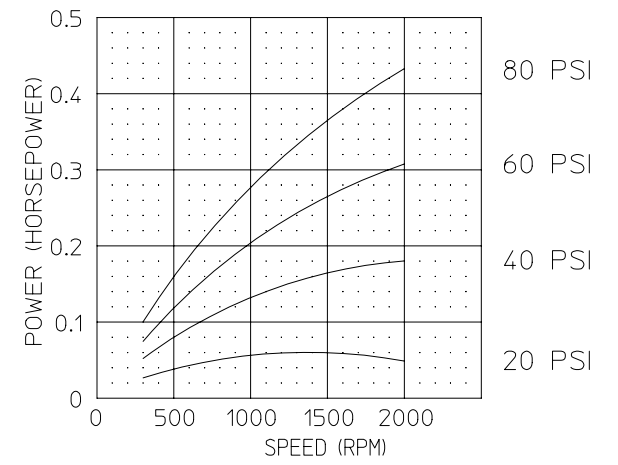
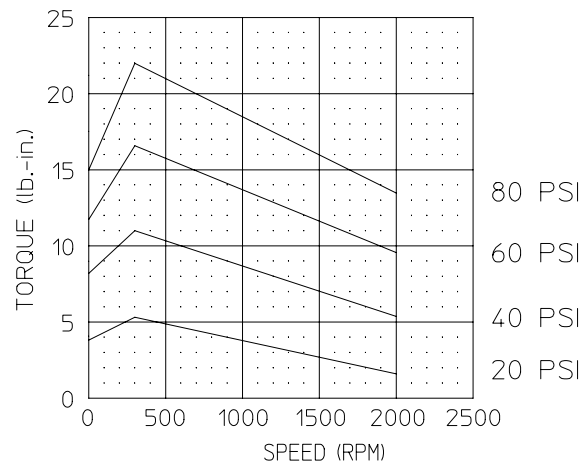
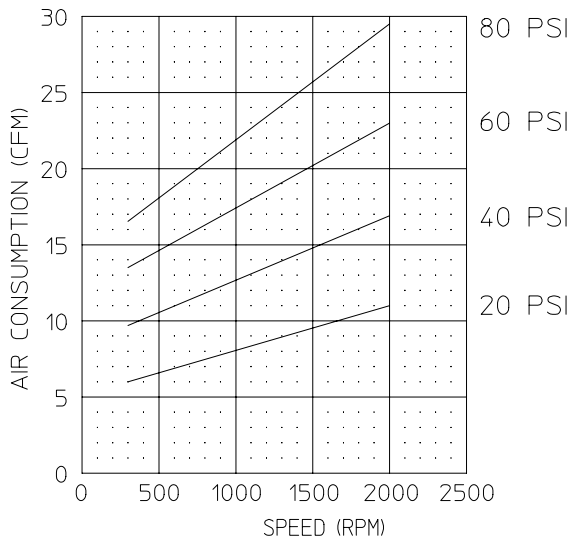
NOTES:

1. TECHNICAL DATA SUBJECT TO CHANGE WITHOUT NOTICE.
2. CONFORMS TO EUROPEAN STANDARD EN13463-1 NON-ELECTRICAL EQUIPMENT FOR EXPLOSIVE ATMOSPHERES GROUP II CAT 2 (GAS & DUST), PROTECTED BY CONSTRUCTION (SURFACE TEMP RATED 135C)

SOUND LEVEL	84 dB(A) MAX.
NORMAL AMBIENT	+1° C. - 120° C.
RELATIVE HUMIDITY	0% - 100%
ENVIROMENT	HAZARDOUS AMBIENT COMBUSTIBLE GAS AND DUST +1°C TO +40°C



MUFFLER ASSEMBLY



Product Specifications

Model Number	MAX. PRESS.		MAX. SPEED	HP	kW	Net Wt.	
	bar.	PSI				lbs.	kg
NL32-NCC-7	5,6	80	2,000 RPM	.42	0.32	6.6	3,0
NL32-NCW-8	5,6	80	2,000 RPM	.42	0.32	6.6	3,0