

PART NUMBER: RTD281
 REVISION: D



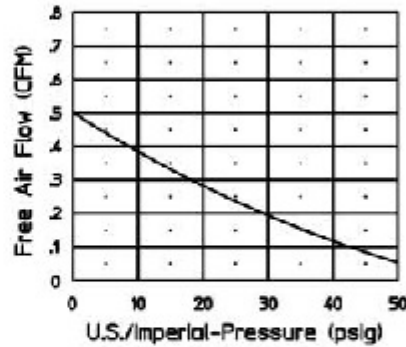
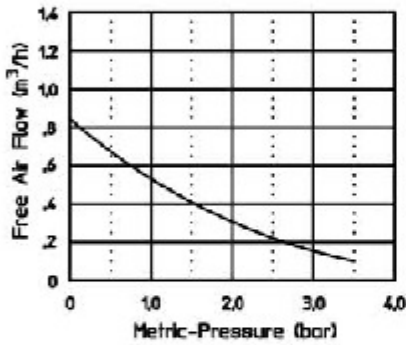
GAST MANUFACTURING, INC.,
 A Unit of IDEX Corporation
 Post Office Box 97
 Benton Harbor, Michigan
 Ph: 269/925-4171
 Fax: 269/925-8288

Product Specifications

Model Number	Motor	RPM		HP	kW	Net Wt.		AMPS	CAPACITOR mfd. - volts
		60 cycle	50 cycle			lbs.	kg		
HDA-P101-AA	H15-1	1575	----	1/16	0.05	5.3	2.4	2.1	----

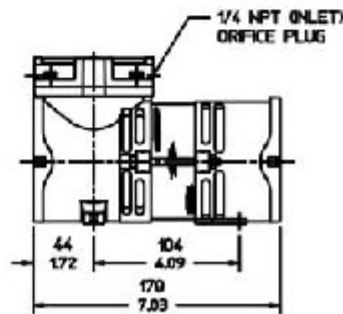
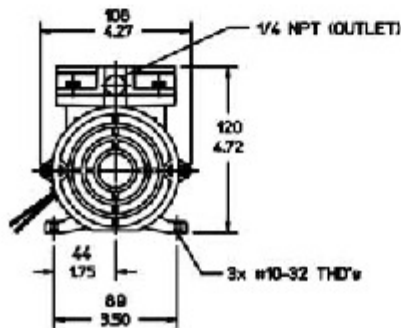
SOUND LEVEL Less than 70 dBA
 NORMAL AMBIENT +5 degC - +40 degC
 RELATIVE HUMIDITY 20% - 80%
 ENVIRONMENT Clean Dust Free

PRODUCT PERFORMANCE



NOTES:

1. ALL DIMENSIONS ARE FOR REFERENCE USE ONLY.
2. PRODUCT DIMENSIONS: U.S. IMPERIAL (Inches) METRIC (mm).
3. * = TECHNICAL DATA SUBJECT TO CHANGE WITHOUT NOTICE.
4. INSTALLATION: THIS PUMP MUST BE INSTALLED IN AN ENCLOSURE.





GAST MANUFACTURING, INC.
 A Unit of IDEX Corporation
 Post Office Box 97
 Benton Harbor, Michigan
 Ph: 269/926-6171
 Fax: 269/925-8288

PART NUMBER:

RTD780

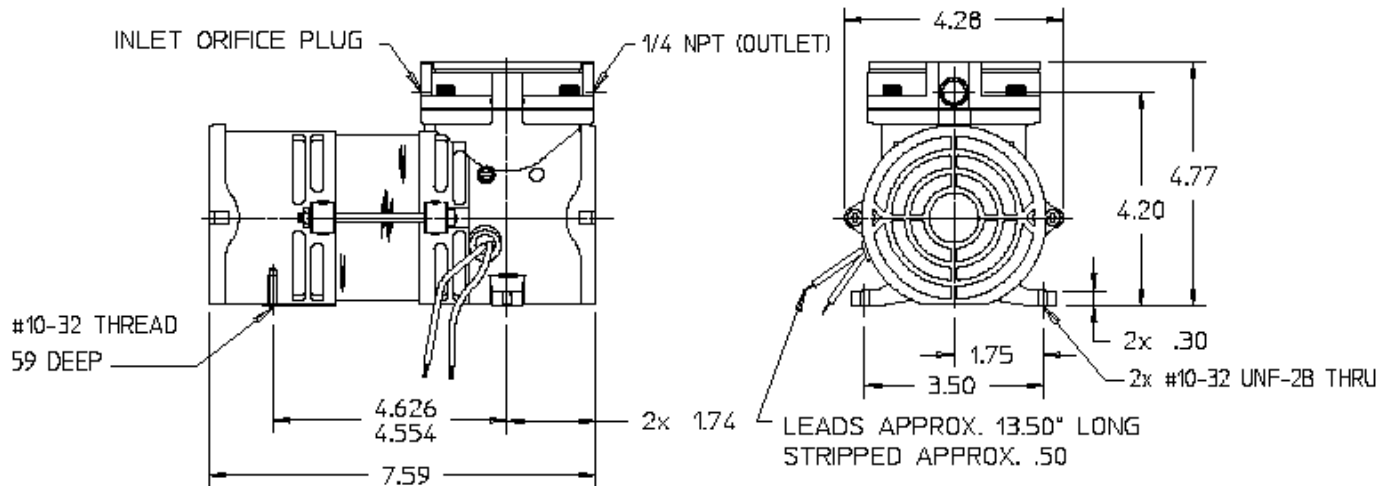
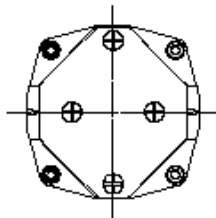
REV.:

A

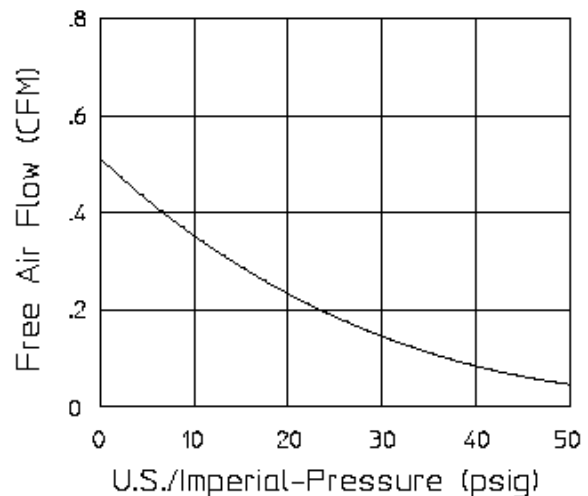
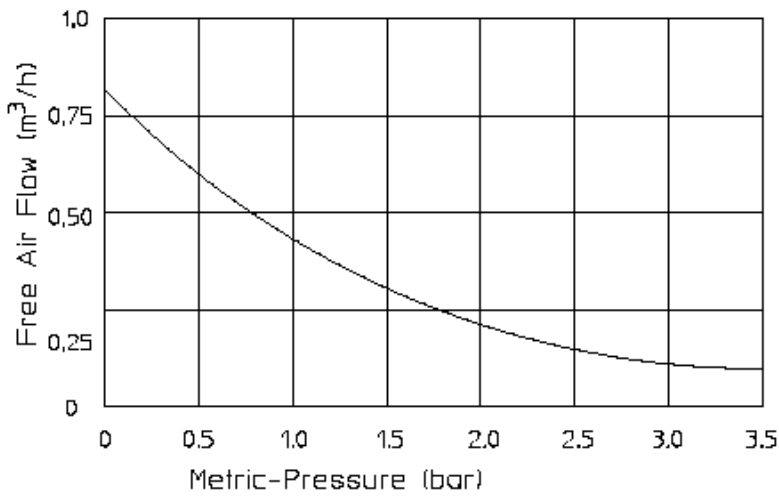
NOTES:

1. TECHNICAL DATA SUBJECT TO CHANGE WITHOUT NOTICE.
2. INSTALLATION: THIS PUMP MUST BE INSTALLED IN AN ENCLOSURE.

SOUND LEVEL Less Than 70 dB(A)
 NORMAL AMBIENT +5 degC - +40 degC
 RELATIVE HUMIDITY 20% - 80%
 ENVIRONMENT Clean Dust Free



PRODUCT PERFORMANCE



Product Specifications

Model Number	Motor	RPM		HP	kW	Net Wt.		AMPS	CAPACITOR mfd. - volts
		60 cycle	50 cycle			lbs.	kg		
MOA-P101-CA	115	1550		1/16	0.05	5.3	2.4	2.3	NONE



GAST MANUFACTURING, INC.
 A Unit of IDEK Corporation
 Post Office Box 97
 Benton Harbor, Michigan
 Ph: 269/926-6171
 Fax: 269/925-8288

PART NUMBER:
RTD158

REV.
F

Product Specifications

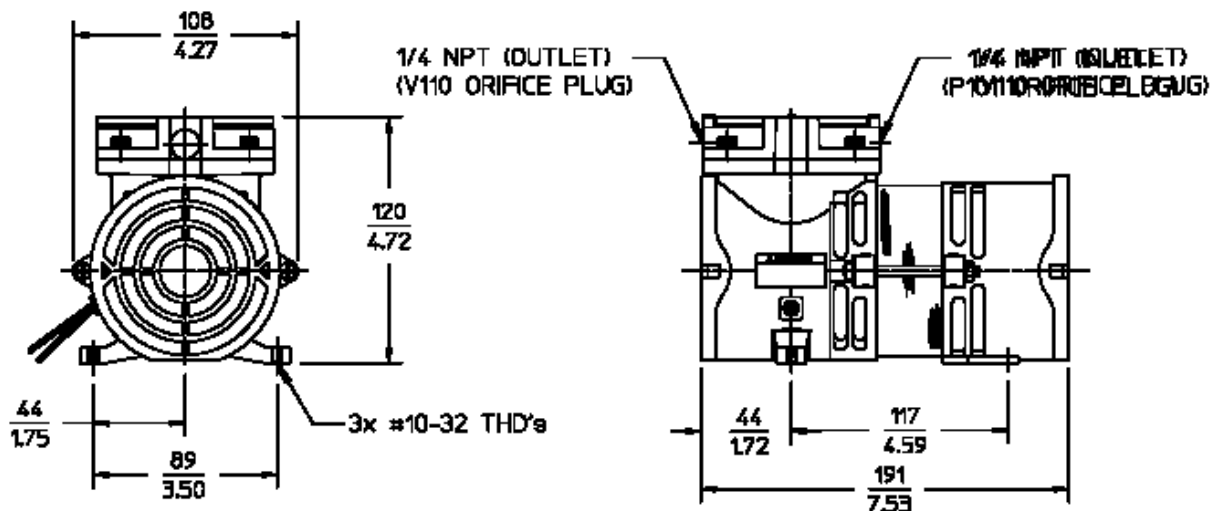
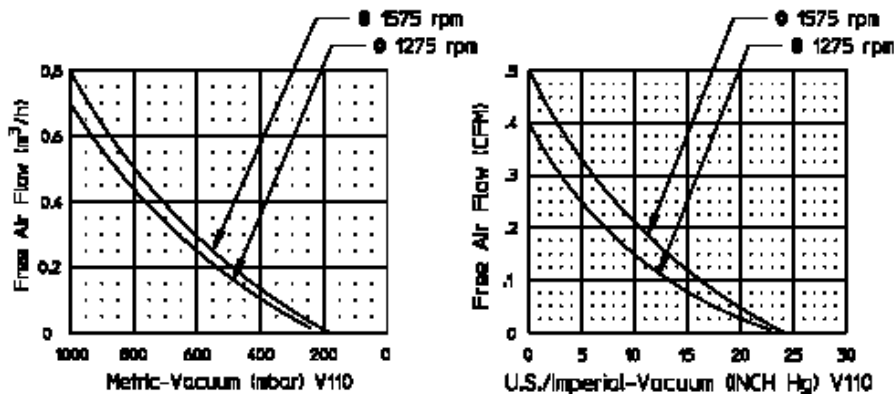
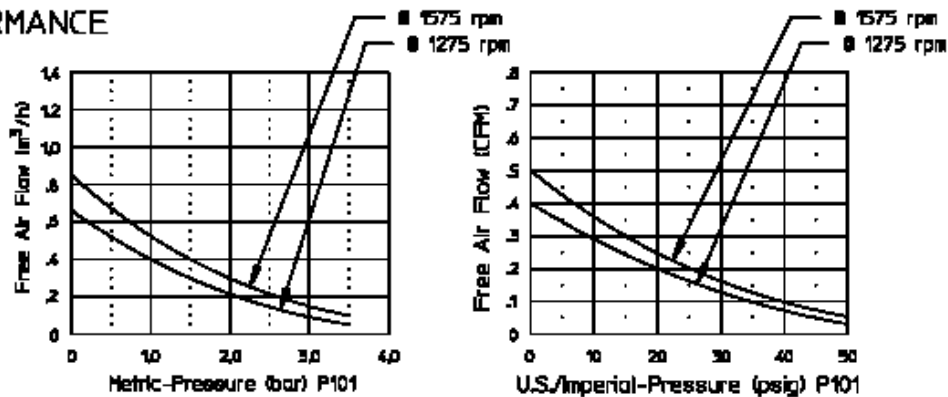
Model Number	Motor	RPM		HP	kW	Net Wt.		AMPS	CAPACITOR mfd. - volts
		60 cycle	50 cycle			lbs.	kg		
MOA-P101-CD	230/220-1	1575	1275	1/16	0,05	5,3	2,4	1,0/1,3	----
MOA-V110-CD	230/220-1	1575	1275	1/16	0,05	5,3	2,4	1,0/1,2	----
MDA-P182-CD	230/220-1	1575	1275	1/16	0,05	5,3	2,4	1,0/1,2	----

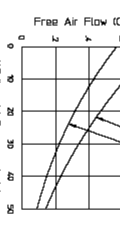
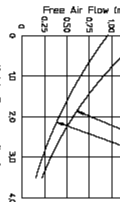
SOUND LEVEL Less than 70 dB(A)
 NORMAL AMBIENT +5 degC - +40 degC
 RELATIVE HUMIDITY 20% - 80%
 ENVIRONMENT Clean Dust Free

NOTES:

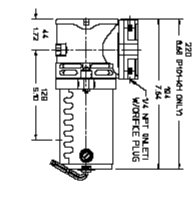
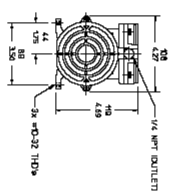
1. ALL DIMENSIONS ARE FOR REFERENCE USE ONLY.
2. PRODUCT DIMENSIONS: U.S. IMPERIAL (inches) METRIC (mm).
3. * = TECHNICAL DATA SUBJECT TO CHANGE WITHOUT NOTICE.
4. INSTALLATION: THIS PUMP MUST BE INSTALLED IN AN ENCLOSURE.

PRODUCT PERFORMANCE





- NOTES:
1. * * * * * RESPONSE ARE FOR REFERENCE. USE ONLY FOR GENERAL INFORMATION.
 2. PRODUCT DIMENSIONS USE METRIC UNITS. METRIC DIMENSIONS ARE GIVEN IN PARENTHESES.
 3. ** TECHNICAL DATA SUBJECT TO CHANGE WITHOUT NOTICE.
 4. DIMENSIONS ARE GIVEN IN MILLIMETERS UNLESS OTHERWISE SPECIFIED. SEE SHEET 2 OF 2 IN ORDER TO COMPLY WITH THE EU EMC DIRECTIVE. SEE SHEET 2 OF 2.





GAST MANUFACTURING, INC.
 A Unit of IDEX Corporation
 Post Office Box 97
 Benton Harbor, Michigan
 Ph: 269/926-6171
 Fax: 269/925-8288

PART NUMBER:
RTD156
 SHEET 1 of 2

REV.
E

Product Specifications

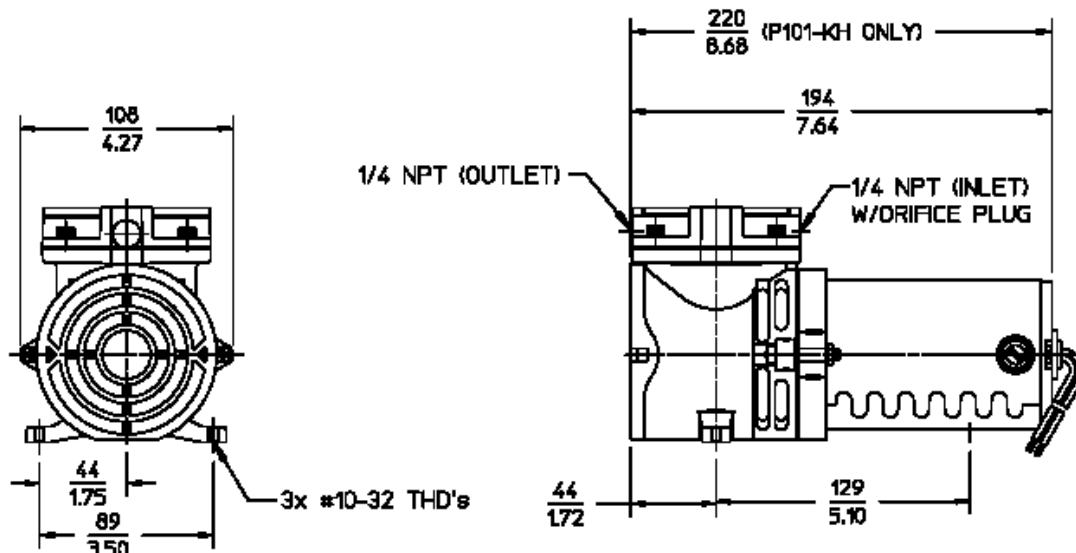
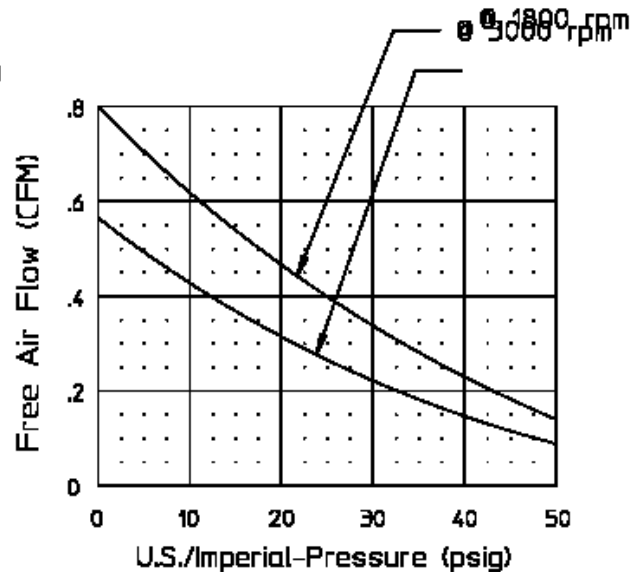
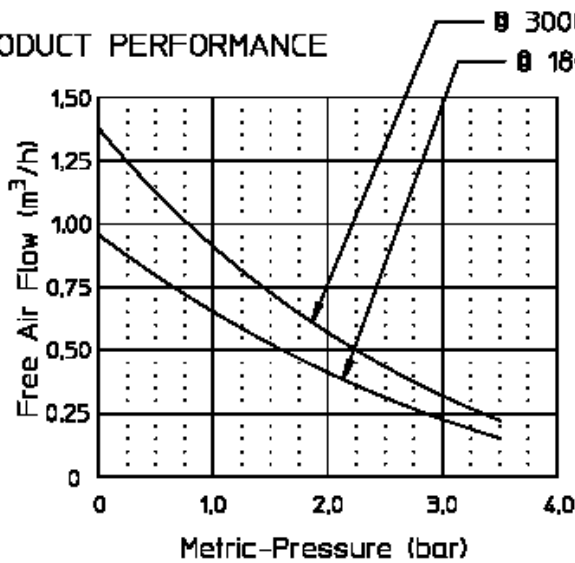
Model Number	Motor	RPM	HP	kW	Net Wt.		AMPS	CAPACITOR mfd. - volts
					lbs.	kg		
MDA-P101-JH	12V DC	1800	1/16	0,05	5,3	2,4	6,8	----
MOA-P101-JK	24V DC	1800	1/16	0,05	5,3	2,4	3,2	----
MOA-P126-JK	24V DC	1800	1/16	0,05	5,3	2,4	3,2	----
MOA-P101-KH	12V DC	3000	1/8	0,09	5,3	2,4	12,2	----

SOUND LEVEL Less than 70 dB(A) (P101-KH 69-76 dB(A))
 NORMAL AMBIENT +5 degC - +40 degC
 RELATIVE HUMIDITY 20% - 80%
 ENVIRONMENT Clean Dust Free

NOTES:

1. ALL DIMENSIONS ARE FOR REFERENCE USE ONLY.
2. PRODUCT DIMENSIONS: U.S. IMPERIAL (inches) METRIC (mm).
3. * - TECHNICAL DATA SUBJECT TO CHANGE WITHOUT NOTICE.
4. THESE MODELS REQUIRE ADDITIONAL CAPACITANCE TO BE APPLIED TO THE ELECTRICAL INPUT IN ORDER TO COMPLY WITH THE EU EMC DIRECTIVE. SEE SHEET 2 OF 2.

PRODUCT PERFORMANCE





GAST MANUFACTURING, INC.
 A Unit of IDEX Corporation
 Post Office Box 97
 Benton Harbor, Michigan
 Ph: 269/926-6171
 Fax: 269/925-8288

PART NUMBER:
RTD156
 SHEET 1 of 2

REV.
E

Product Specifications

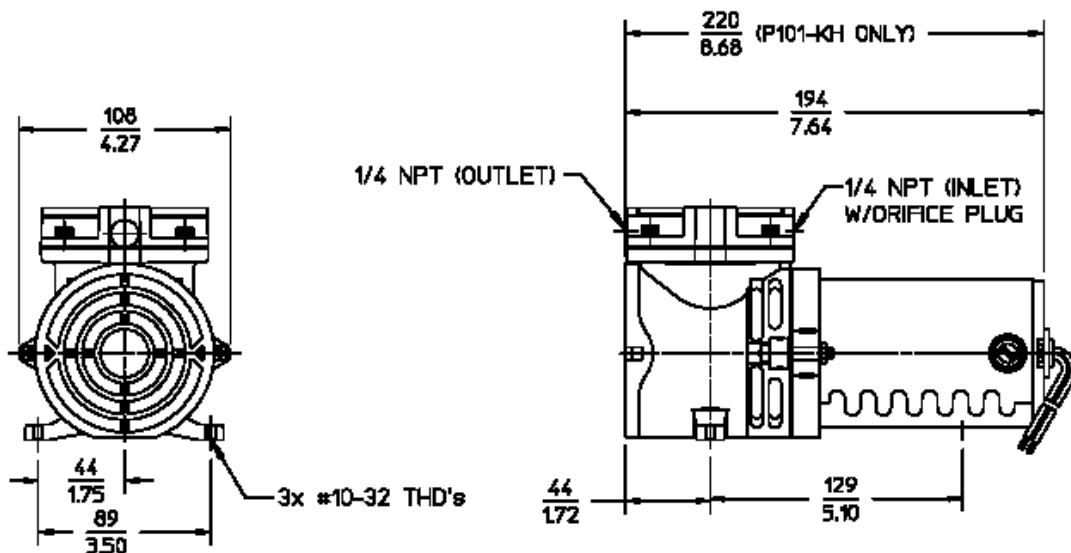
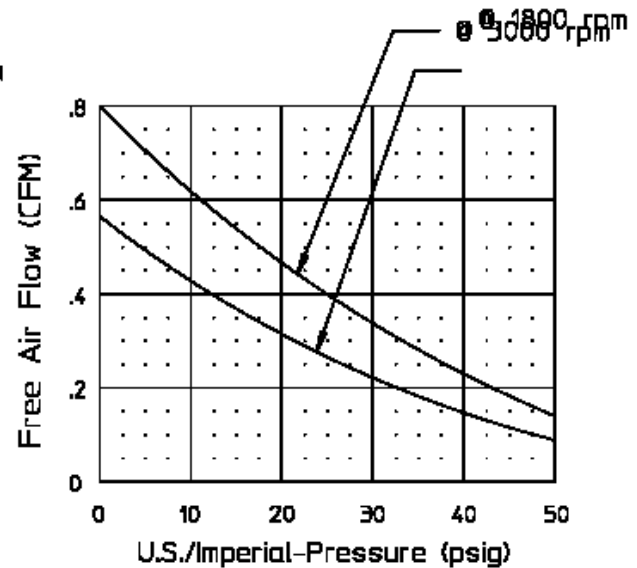
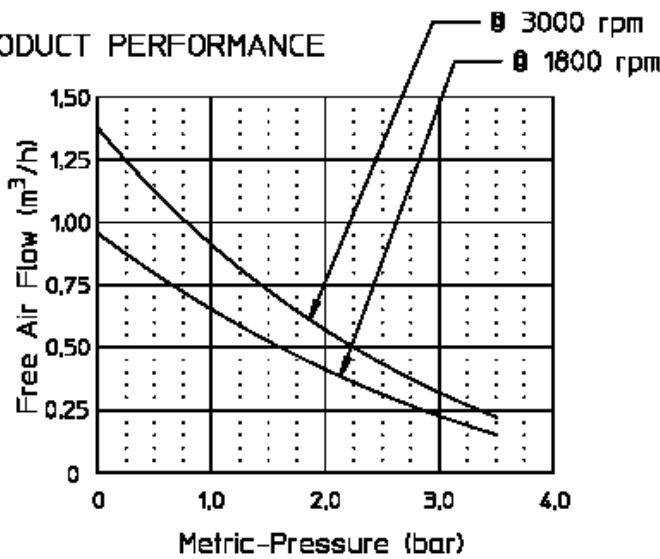
Model Number	Motor	RPM	HP	kW	Net Wt.		AMPS	CAPACITOR mfd. - volts
					lbs.	kg		
MDA-P101-JH	12V DC	1800	1/16	0,05	5,3	2,4	6,8	----
MOA-P101-JK	24V DC	1800	1/16	0,05	5,3	2,4	3,2	----
MOA-P126-JK	24V DC	1800	1/16	0,05	5,3	2,4	3,2	----
MOA-P101-KH	12V DC	3000	1/8	0,09	5,3	2,4	12,2	----

SOUND LEVEL Less than 70 dB(A) (P101-KH 69-76 dB(A))
 NORMAL AMBIENT +5 degC - +40 degC
 RELATIVE HUMIDITY 20% - 80%
 ENVIRONMENT Clean Dust Free

NOTES:

1. ALL DIMENSIONS ARE FOR REFERENCE USE ONLY.
2. PRODUCT DIMENSIONS: U.S. IMPERIAL (inches) METRIC (mm).
3. * - TECHNICAL DATA SUBJECT TO CHANGE WITHOUT NOTICE.
4. THESE MODELS REQUIRE ADDITIONAL CAPACITANCE TO BE APPLIED TO THE ELECTRICAL INPUT IN ORDER TO COMPLY WITH THE EU EMC DIRECTIVE. SEE SHEET 2 OF 2.

PRODUCT PERFORMANCE





GAST MANUFACTURING, INC.
 A Unit of IDEX Corporation
 Post Office Box 97
 Benton Harbor, Michigan
 Ph: 269/926-6171
 Fax: 269/925-8288

PART NUMBER:
RTD166

REV.
F

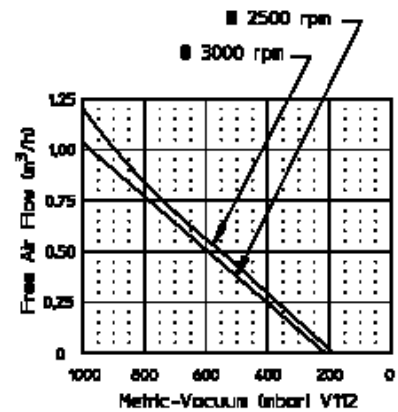
Product Specifications

Model Number	Motor	RPM		HP	kW	Net Wt.		AMPS	CAPACITOR mfd. - volts
		60 cycle	50 cycle			lbs.	kg		
MDA-P108-FD	230/220-1	3000	2500	1/8	0,09	5.3	2,4	1.0/1.1	4 - 370
MOA-V112-FD	230/220-1	3000	2500	1/8	0,09	5.63	2,56	1.0/1.1	4 - 370
MOA-P127-FD	230/220-1	3000	2500	1/8	0,09	5.63	2,56	1.0/1.1	4 - 370
MOA-V130-FD	230/220-1	3000	2500	1/8	0,09	5.63	2,56	1.0/1.1	4 - 370

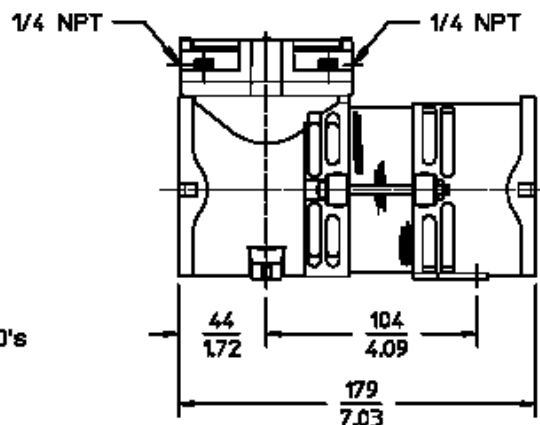
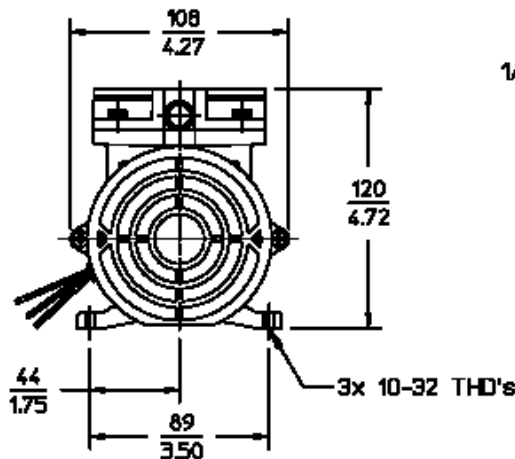
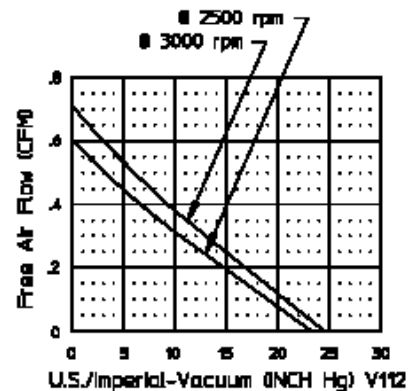
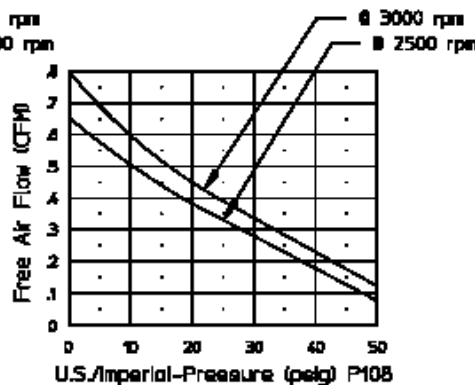
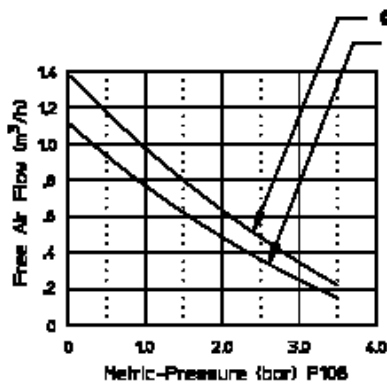
SOUND LEVEL Less than 70 dB(A) (P108 69-76 dB(A))
 NORMAL AMBIENT +5 degC - +40 degC
 RELATIVE HUMIDITY 20% - 80%
 ENVIRONMENT Clean Dust Free

NOTES:

1. ALL DIMENSIONS ARE FOR REFERENCE USE ONLY.
2. PRODUCT DIMENSIONS: U.S. IMPERIAL (Inches) METRIC (mm).
3. * - TECHNICAL DATA SUBJECT TO CHANGE WITHOUT NOTICE.
4. INSTALLATION: THIS PUMP MUST BE INSTALLED IN AN ENCLOSURE.



PRODUCT PERFORMANCE





GAST MANUFACTURING, INC.
 A Unit of IDEX Corporation
 Post Office Box 97
 Benton Harbor, Michigan
 Ph: 269/926-6171
 Fax: 269/925-6288

PART NUMBER:
 RTD167

REV.
 D

Product Specifications

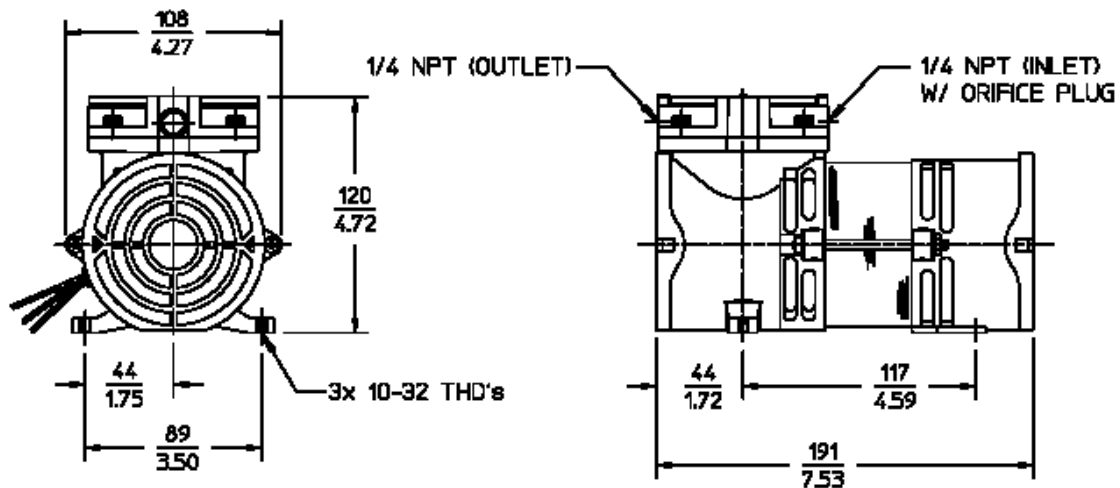
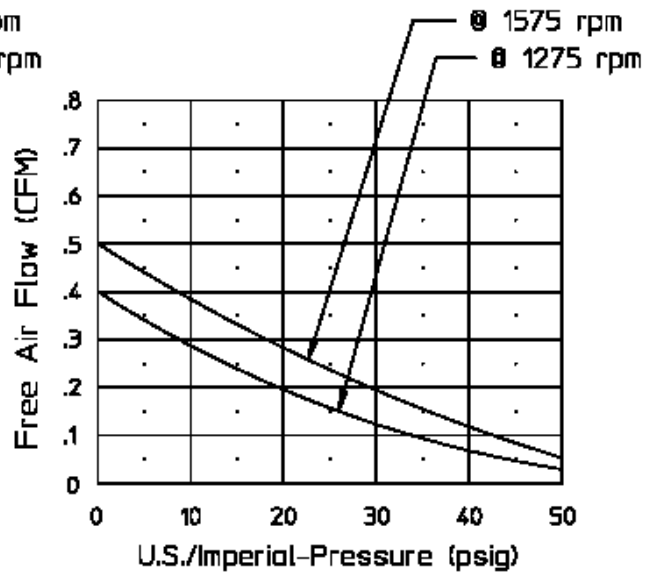
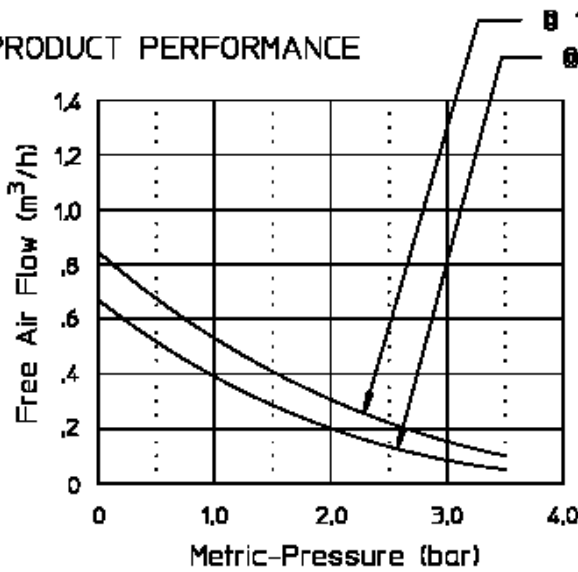
Model Number	Motor	RPM		HP	kW	Net Wt.		AMPS	CAPACITOR mfd. - volts
		60 cycle	50 cycle			lbs.	kg		
MOA-P108-HB	115/110-1	1575	1275	1/16	0,05	5,3	2,4	1,4/1,5	5 - 370

SOUND LEVEL Less than 70 dB(A)
 NORMAL AMBIENT +5 degC - +40 degC
 RELATIVE HUMIDITY 20% - 80%
 ENVIRONMENT Clean Dust Free

NOTES:

1. ALL DIMENSIONS ARE FOR REFERENCE USE ONLY.
2. PRODUCT DIMENSIONS: U.S. IMPERIAL (inches) METRIC (mm).
3. * = TECHNICAL DATA SUBJECT TO CHANGE WITHOUT NOTICE.
4. INSTALLATION: THIS PUMP MUST BE INSTALLED IN AN ENCLOSURE.

PRODUCT PERFORMANCE





GAST MANUFACTURING, INC.
 A Unit of IDEX Corporation
 Post Office Box 97
 Benton Harbor, Michigan
 Ph: 269/926-6171
 Fax: 269/925-5288

PART NUMBER:

RTD209

REV.

D

Product Specifications

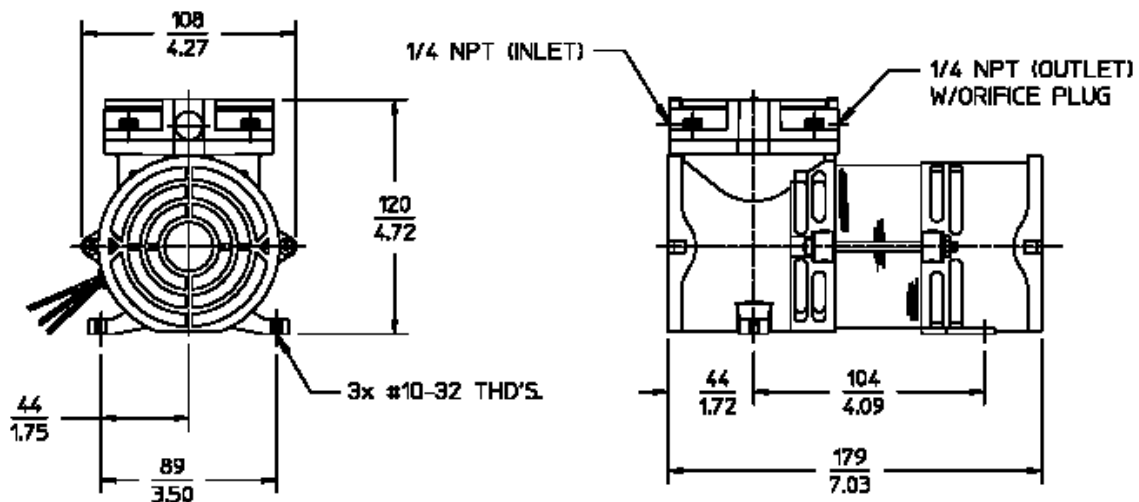
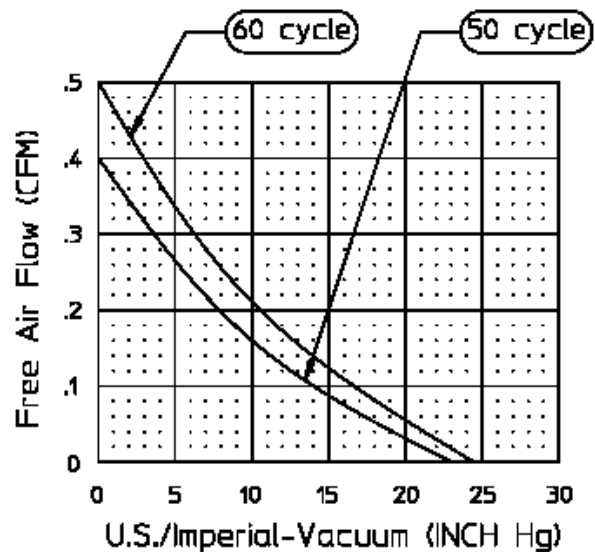
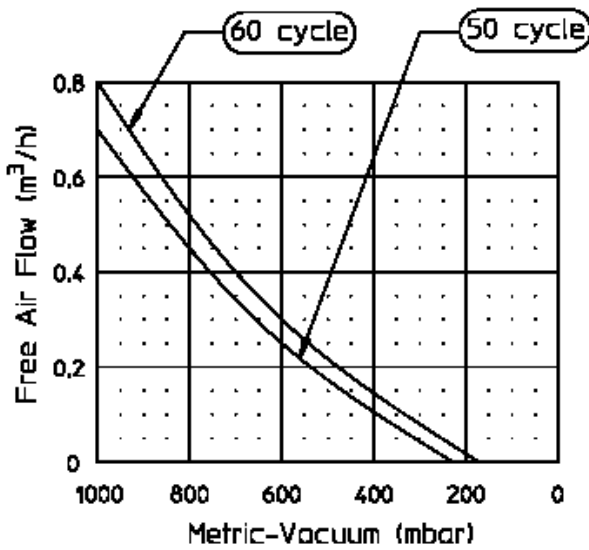
Model Number	Motor	RPM		HP	kW	Net Wt.		AMPS	CAPACITOR mfd. - volts
		60 cycle	50 cycle			lbs.	kg		
MOA-V111-CD	230/220-1	1575	1275	1/16	0,05	5.63	2.56	1.0/1.2	----

SOUND LEVEL Less than 70 dB(A)
 NORMAL AMBIENT +5 degC - +40 degC
 RELATIVE HUMIDITY 20% - 80%
 ENVIRONMENT Clean Dust Free

NOTES:

1. ALL DIMENSIONS ARE FOR REFERENCE USE ONLY.
2. PRODUCT DIMENSIONS: U.S. IMPERIAL (inches) METRIC (mm).
3. * = TECHNICAL DATA SUBJECT TO CHANGE WITHOUT NOTICE.
4. INSTALLATION: THIS PUMP MUST BE INSTALLED IN AN ENCLOSURE.

PRODUCT PERFORMANCE





GAST MANUFACTURING, INC.
A Unit of IDEX Corporation
Post Office Box 97
Benton Harbor, Michigan
Ph: 269/926-6171
Fax: 269/925-8288

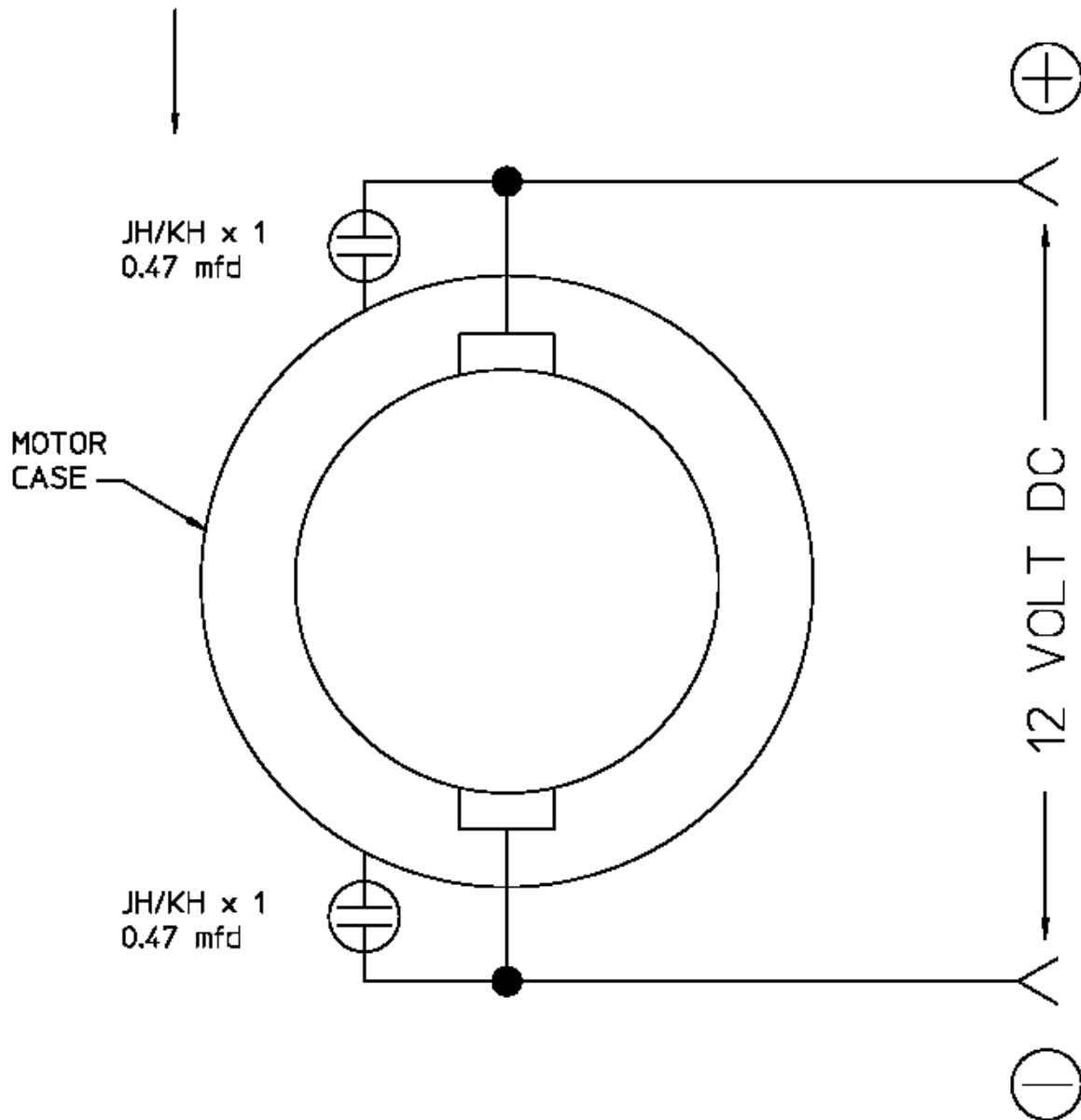
PART NUMBER:

RTD169
SHEET 2 of 2

REV.

D

MOA-V110-JH = 2x 0.47 mfd
MOA-V111-KH = 2x 0.47 mfd





GAST MANUFACTURING, INC.
A Unit of IDEX Corporation
Post Office Box 97
Benton Harbor, Michigan
Ph: 269/926-6171
Fax: 269/925-8288

PART NUMBER:

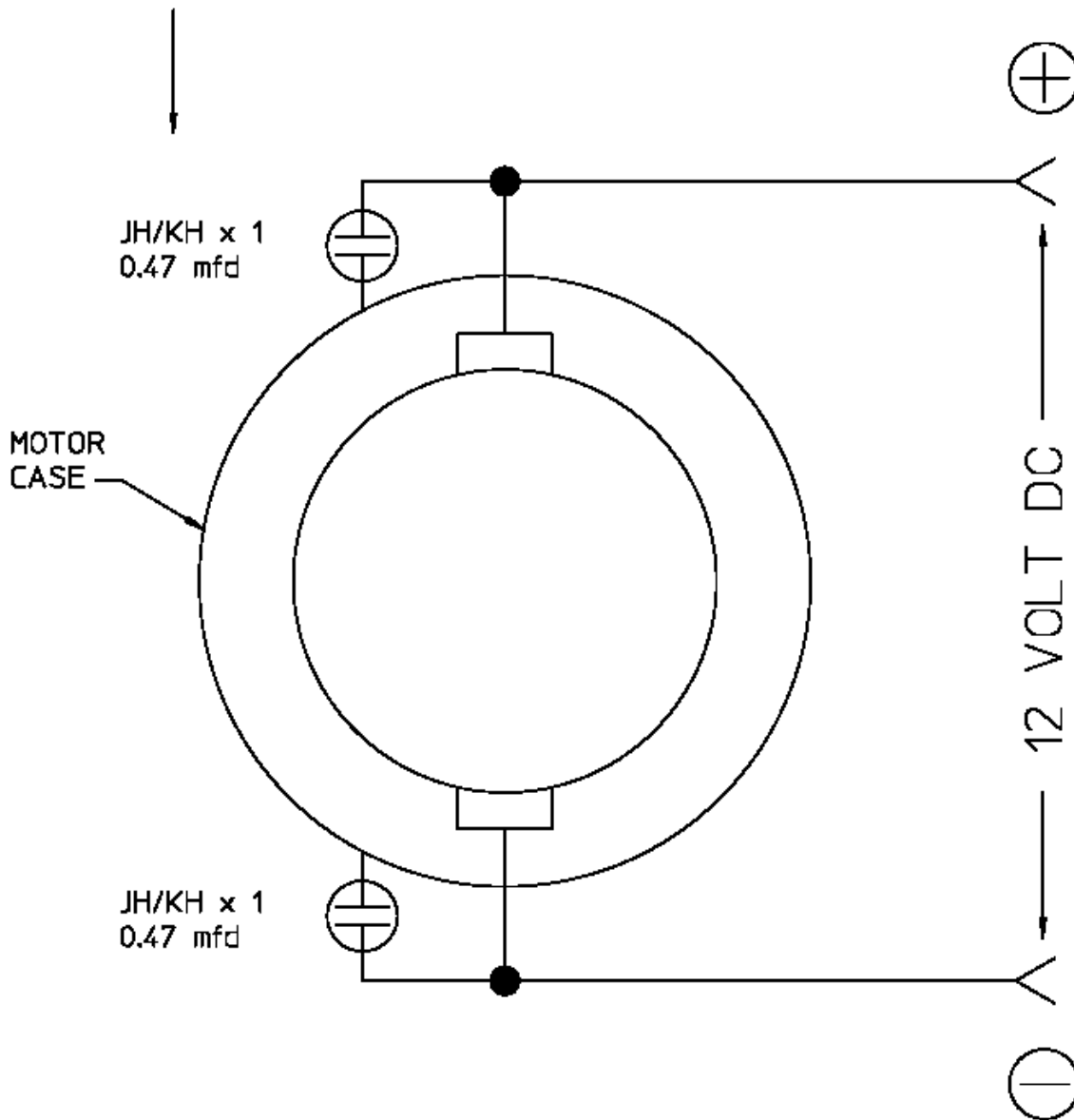
RTD169

SHEET 2 of 2

REV.

D

MOA-V110-JH = 2x 0.47 mfd
MOA-V111-KH = 2x 0.47 mfd



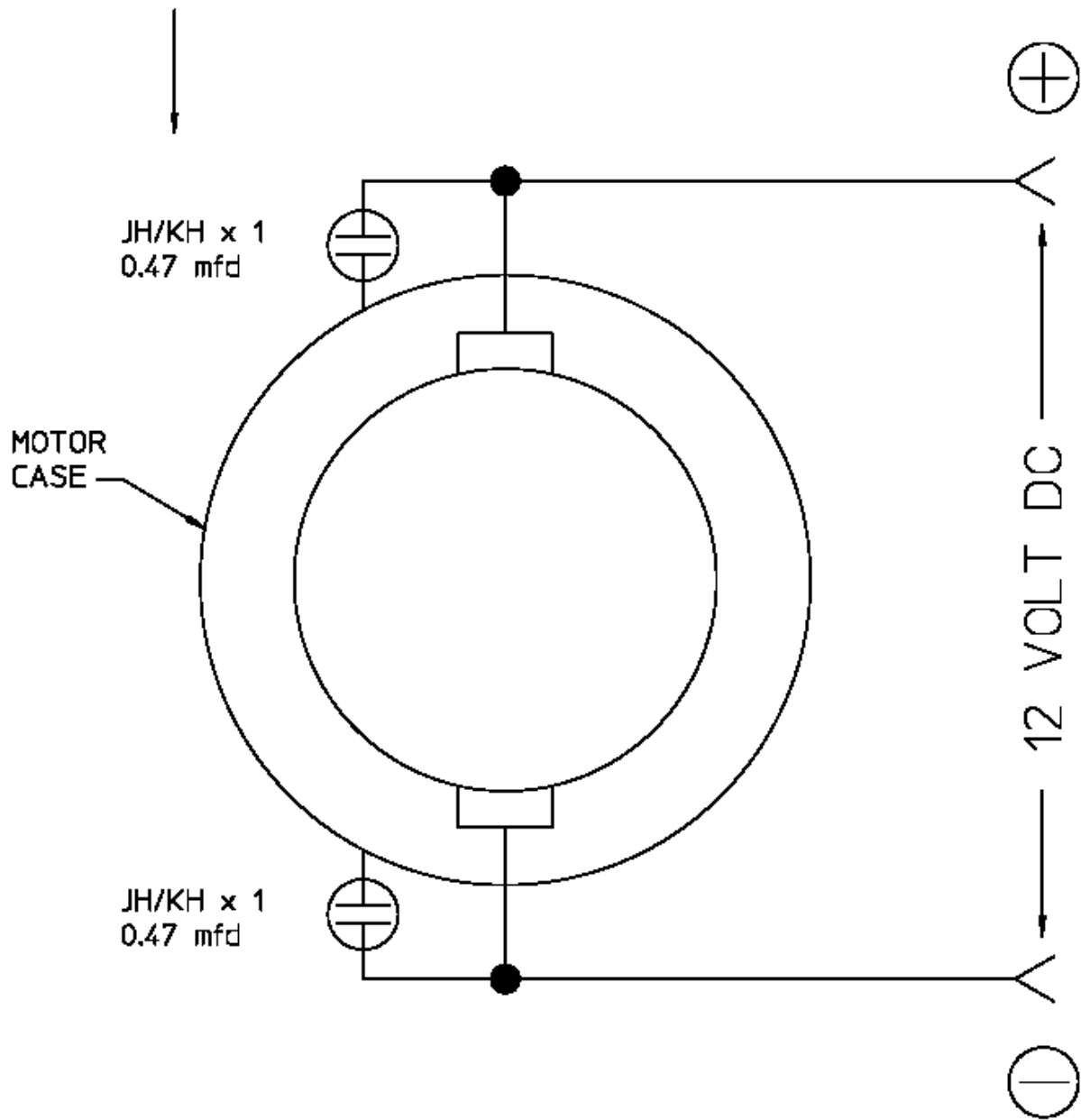


GAST MANUFACTURING, INC.
A Unit of IDEX Corporation
Post Office Box 97
Benton Harbor, Michigan
Ph: 269/926-6171
Fax: 269/925-8288

PART NUMBER:
RTD169
SHEET 2 of 2

REV.
D

MOA-V110-JH = 2x 0.47 mfd
MOA-V111-KH = 2x 0.47 mfd





GAST MANUFACTURING, INC.
 A Unit of IDEX Corporation
 Post Office Box 97
 Benton Harbor, Michigan
 Ph: 269/926-6171
 Fax: 269/925-8288

PART NUMBER:

RTD159

REV.

E

Product Specifications

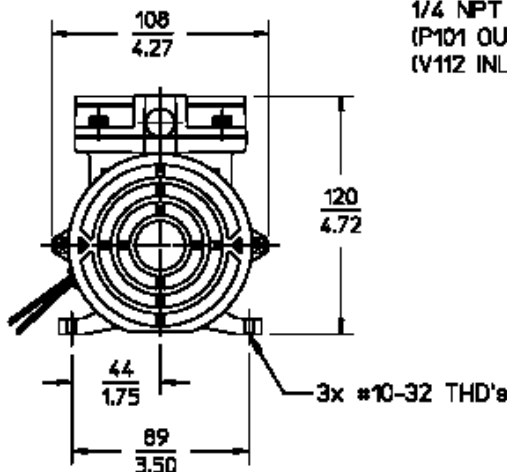
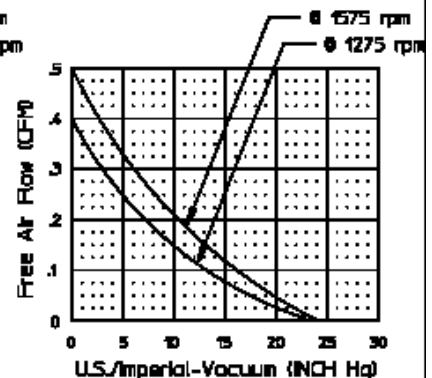
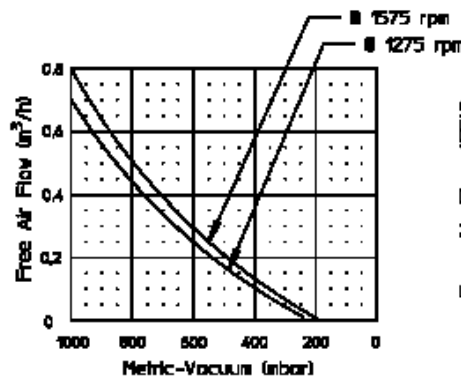
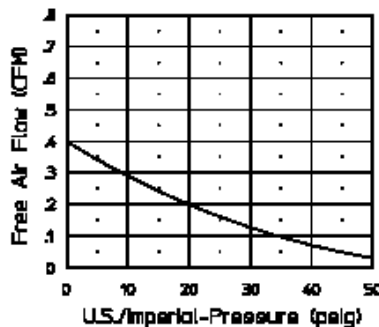
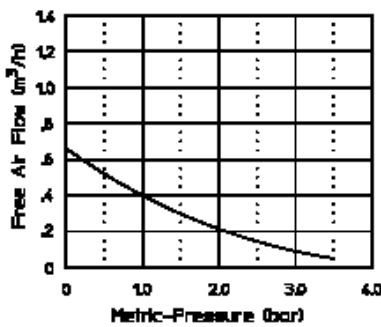
Model Number	Motor	RPM		HP	KW	Net Wt.		AMPS	CAPACITOR mfd. - volts
		60 cycle	50 cycle			lbs.	kg		
MOA-P101-AE	110-1	----	1275	1/16	0,05	5.3	2.4	2.2	----
MOA-V110-AE	115/110-1	1575	1275	1/16	0,05	5.63	2.56	1.8/2.2	----
MDA-V112-AE	115/110-1	1575	1275	1/16	0,05	5.63	2.56	1.8/2.2	----

SOUND LEVEL Less than 70 dB(A)
 NORMAL AMBIENT +5 degC - +40 degC
 RELATIVE HUMIDITY 20% - 80%
 ENVIRONMENT Clean Dust Free

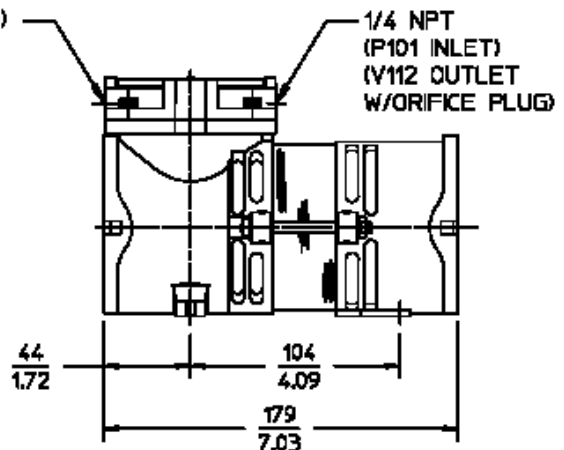
NOTES:

1. ALL DIMENSIONS ARE FOR REFERENCE USE ONLY.
2. PRODUCT DIMENSIONS: U.S. IMPERIAL (inches) METRIC (mm).
3. * = TECHNICAL DATA SUBJECT TO CHANGE WITHOUT NOTICE.
4. INSTALLATION: THIS PUMP MUST BE INSTALLED IN AN ENCLOSURE.

PRODUCT PERFORMANCE



1/4 NPT
 (P101 OUTLET W/ORIFICE PLUG)
 (V112 INLET)





GAST MANUFACTURING, INC.
 A Unit of IDEX Corporation
 Post Office Box 97
 Benton Harbor, Michigan
 Ph: 269/926-6171
 Fax: 269/925-8268

PART NUMBER:

RTD781

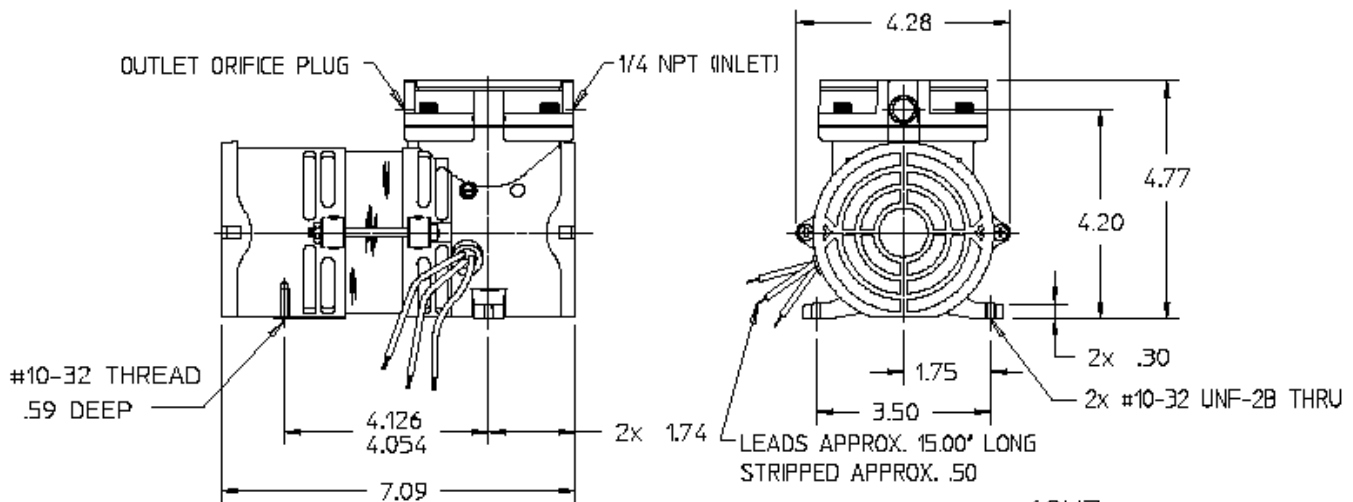
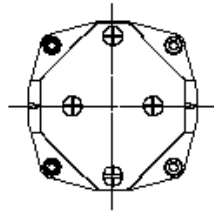
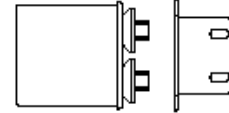
REV.:

A

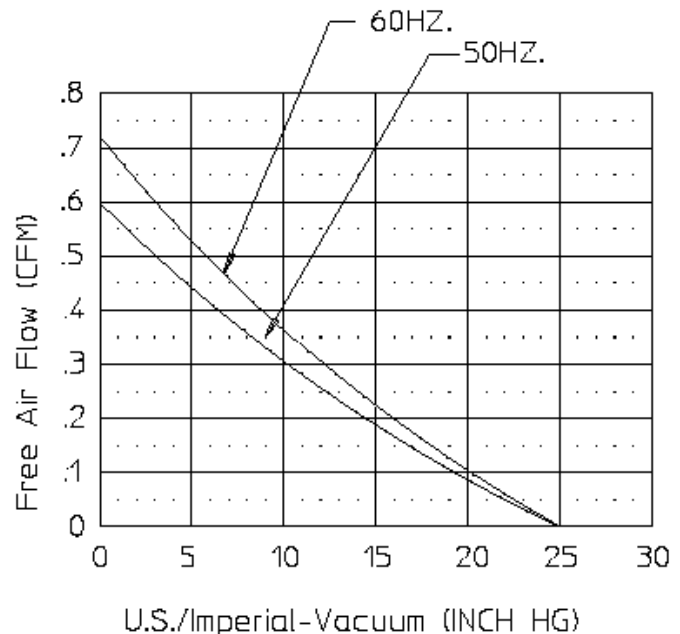
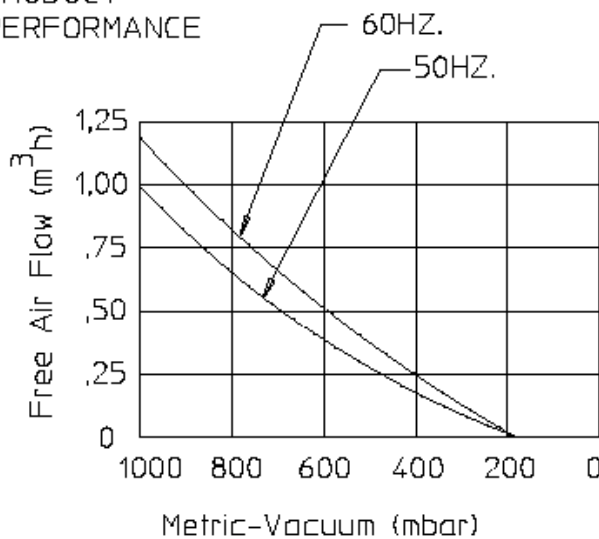
NOTES:

1. TECHNICAL DATA SUBJECT TO CHANGE WITHOUT NOTICE.
2. INSTALLATION: THIS PUMP MUST BE INSTALLED IN AN ENCLOSURE.

SOUND LEVEL	Less Than 70 dB(A)
NORMAL AMBIENT	+5 degC - +40 degC
RELATIVE HUMIDITY	20% - 80%
ENVIRONMENT	Clean Dust Free



PRODUCT PERFORMANCE



Product Specifications

Model Number	Motor	RPM		HP	kW	Net Wt.		AMPS	CAPACITOR mfd. - volts
		60 cycle	50 cycle			lbs.	kg		
MOA-V112-FB	115/110	3000	2500	1/8	0.09	5.3	2.4	2.6/2.5	5 370



GAST MANUFACTURING, INC.
 A Unit of IDEX Corporation
 Post Office Box 97
 Benton Harbor, Michigan
 Ph: 269/926-8171
 Fax: 269/925-8288

PART NUMBER:
RTD166

REV.
F

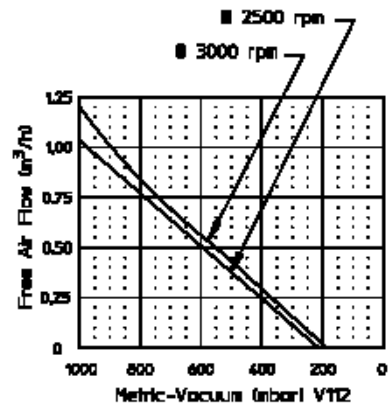
Product Specifications

Model Number	Motor	RPM		HP	kW	Net Wt.		AMPS	CAPACITOR mfd. - volts
		60 cycle	50 cycle			lbs.	kg		
MOA-P108-FD	230/220-1	3000	2500	1/8	0,09	5.3	2,4	1.0/1.1	4 - 370
MOA-V112-FD	230/220-1	3000	2500	1/8	0,09	5.63	2,56	1.0/1.1	4 - 370
MOA-P127-FD	230/220-1	3000	2500	1/8	0,09	5.63	2,56	1.0/1.1	4 - 370
MOA-V130-FD	230/220-1	3000	2500	1/8	0,09	5.63	2,56	1.0/1.1	4 - 370

SOUND LEVEL Less than 70 dB(A) (P108 69-76 dB(A))
 NORMAL AMBIENT +5 degC - +40 degC
 RELATIVE HUMIDITY 20% - 80%
 ENVIRONMENT Clean Dust Free

NOTES:

1. ALL DIMENSIONS ARE FOR REFERENCE USE ONLY.
2. PRODUCT DIMENSIONS: U.S. IMPERIAL (Inches) METRIC (mm).
3. * - TECHNICAL DATA SUBJECT TO CHANGE WITHOUT NOTICE.
4. INSTALLATION: THIS PUMP MUST BE INSTALLED IN AN ENCLOSURE.



PRODUCT PERFORMANCE

