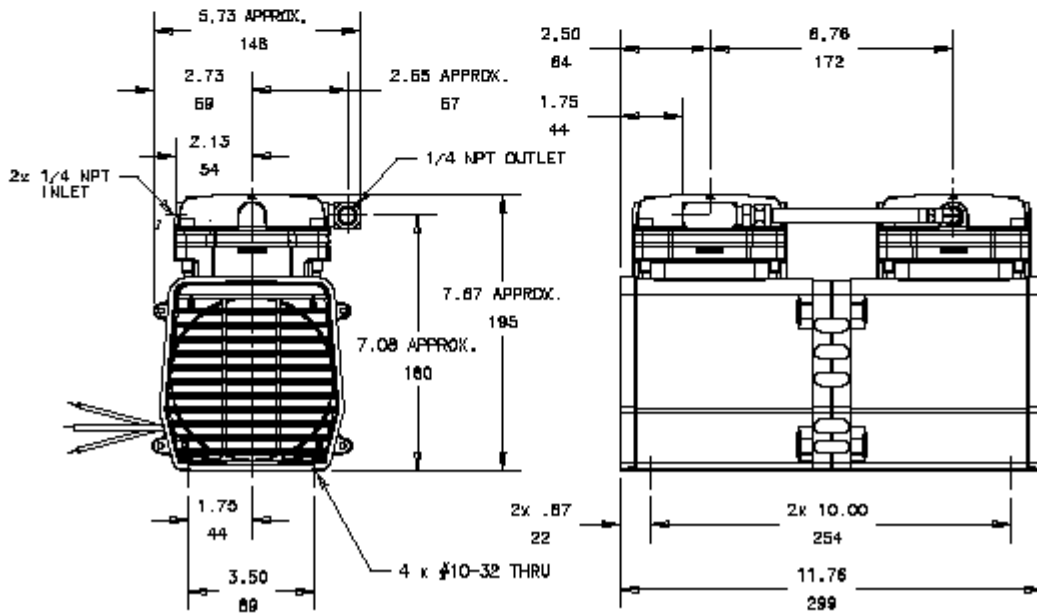
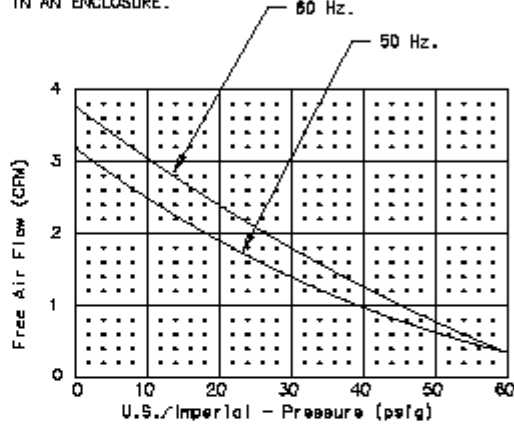
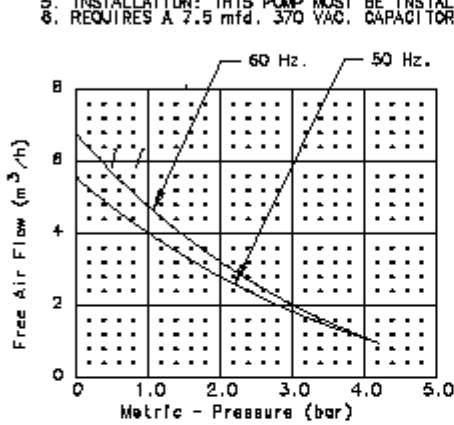


PRODUCT SPECIFICATION					GAST A UNIT OF LEK CORPORATION BENTON HARBOR, MI U.S.A.	
					PART NUMBER	REV.
1975 60 Hz. 1275 50 Hz.	<70 dB(A)	°C	20° - 80°	28 LBS. 12.7 kg.	RTD528	B
V	HP.	KW	Hz.	A	MODEL NO.	DAA-P501-EB
115/110	1/4	0.19	60/50	2.7/2.8		

NOTES:

1. ALL DIMENSIONS ARE FOR REF. USE ONLY.
2. PRODUCT DIMENSIONS: U.S. IMPERIAL (inches), METRIC (mm).
3. TECHNICAL DATA SUBJECT TO CHANGE WITHOUT NOTICE.
4. ENVIRONMENT: CLEAN DUST FREE.
5. INSTALLATION: THIS PUMP MUST BE INSTALLED IN AN ENCLOSURE.
6. REQUIRES A 2.5 mfd. 370 VAC. CAPACITOR.



PRODUCT SPECIFICATION

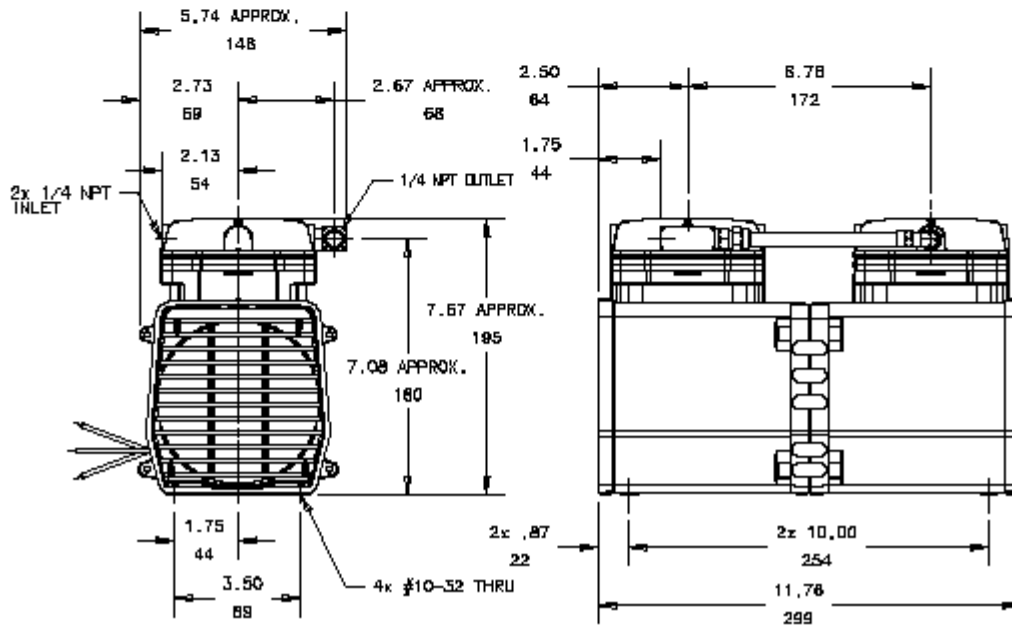
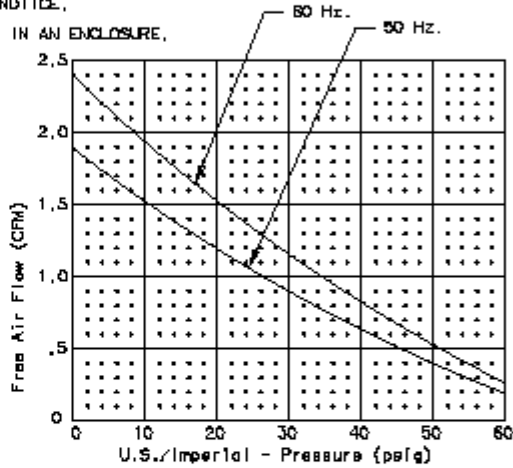
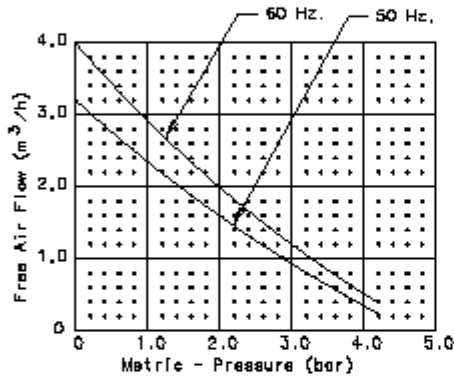
GAST

A UNIT OF ~~TEX~~ CORPORATION
BENTON HARBOR, MI U.S.A.

					PART NUMBER RTD529	REV. A
1575 60 Hz. 1275 50 Hz.	<70 dB(A)	°C	20% - 80%	28 LBS. 12.7 KG.		
V	HP.	kW	Hz.	A	MODEL NO. DAA-P501-ED	
230/220	1/4	0.19	60/50	1.8/2.0		

NOTES:

1. ALL DIMENSIONS ARE FOR REF. USE ONLY.
2. PRODUCT DIMENSIONS: U.S. IMPERIAL (Inches), METRIC (mm).
3. TECHNICAL DATA SUBJECT TO CHANGE WITHOUT NOTICE.
4. ENVIRONMENT: CLEAN DUST FREE.
5. INSTALLATION: THIS PUMP MUST BE INSTALLED IN AN ENCLOSURE.
6. REQUIRES A 4 mfd. 370 VAC. CAPACITOR.



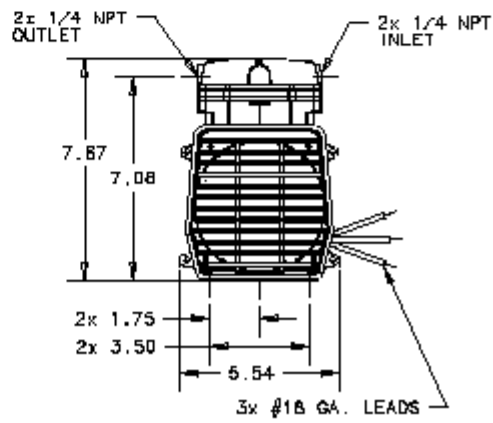
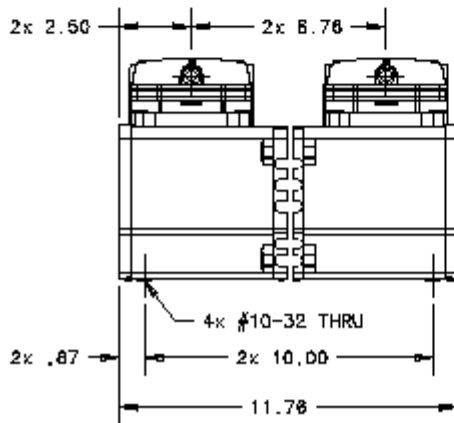
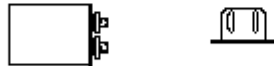
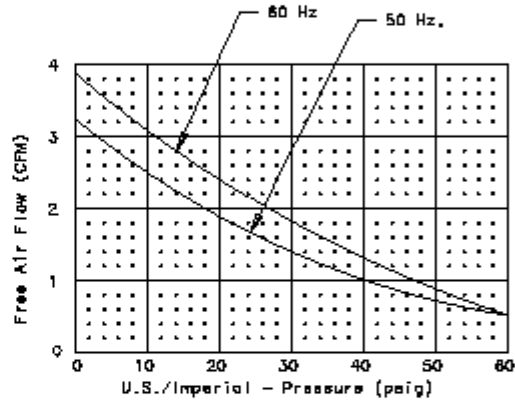
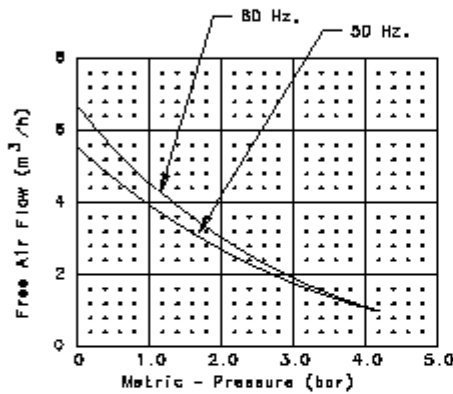
PRODUCT SPECIFICATION

GAST

A UNIT OF ~~LEK~~ CORPORATION
BENTON HARBOR, MI U.S.A.

					PART NUMBER RTD795	REV. A
3000 80 Hz. 2500 50 Hz.	(72 dB(A))	*C	20% - 80%	23 LBS. 10.45 kg.		
V	HP.	kW	Hz.	A	MODEL NO. DAA-P501-GB	
115/110	1/2	0.37	60/50	5.5/4.9		

- NOTES:
 1. ALL DIMENSIONS ARE FOR REF. USE ONLY.
 2. PRODUCT DIMENSIONS: U.S. IMPERIAL (inches).
 3. TECHNICAL DATA SUBJECT TO CHANGE WITHOUT NOTICE.
 4. ENVIRONMENT: CLEAN DUST FREE.
 5. INSTALLATION: THIS PUMP MUST BE INSTALLED IN AN ENCLOSURE.
 6. REQUIRES A 10 mfd 370 VAC CAPACITOR.



PRODUCT SPECIFICATION

GAST

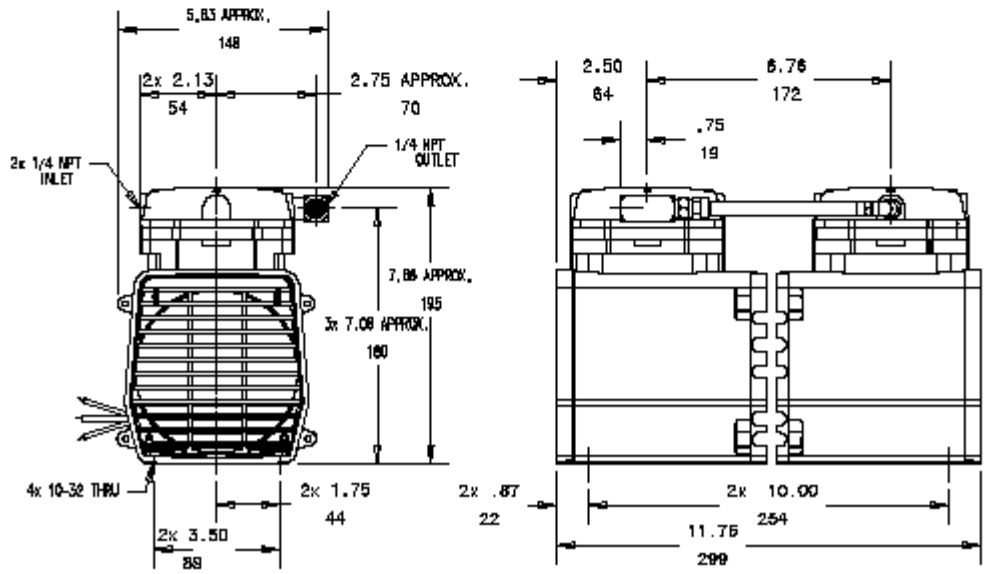
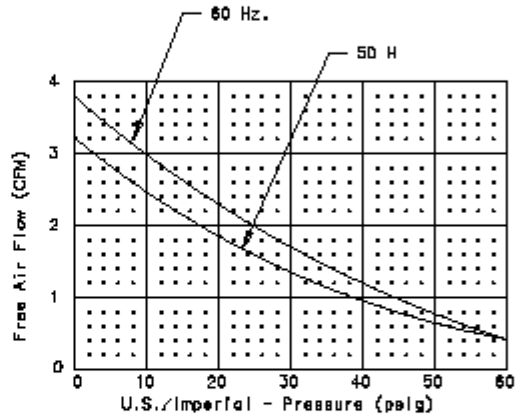
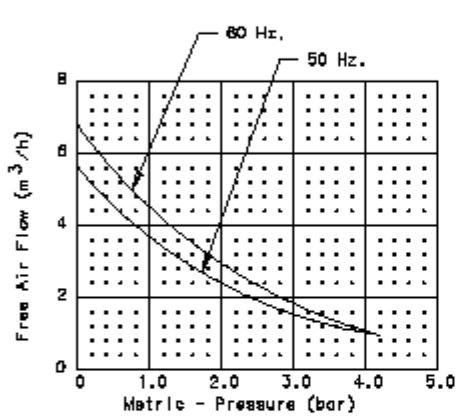
A UNIT OF ~~DEX~~ CORPORATION
BENTON HARBOR, MI U.S.A.

3000 80 Hz. 2500 50 Hz.	<72 dB(A)	+5 °C	20% - 80%	28 LBS. 12.7 kg.
V	HP.	kW	Hz.	A
230/220	1/2	0.37	60/50	2, 1/2, 0

PART NUMBER	REV.
RTD625	B
MODEL NUMBER	DAA-P501-GD

NOTES:

1. ALL DIMENSIONS ARE FOR REF. USE ONLY.
2. PRODUCT DIMENSIONS: U.S. IMPERIAL (Inches), METRIC (mm).
3. TECHNICAL DATA SUBJECT TO CHANGE WITHOUT NOTICE.
4. ENVIRONMENT: CLEAN DUST FREE.
5. INSTALLATION: THIS PUMP MUST BE INSTALLED IN AN ENCLOSURE.
6. REQUIRES A 10 mfd 370 VAC CAPACITOR.



PRODUCT SPECIFICATION

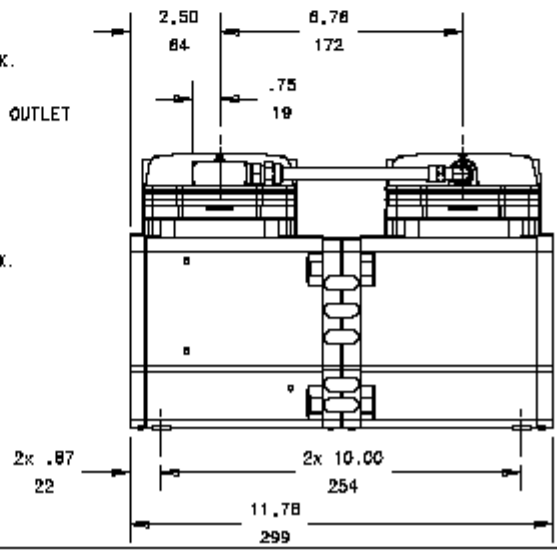
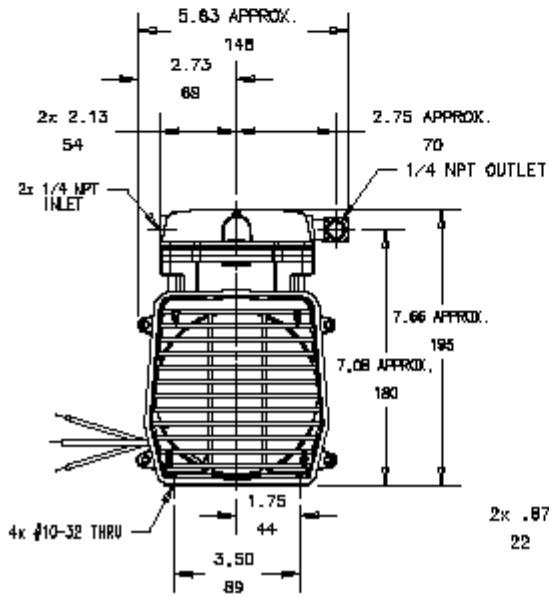
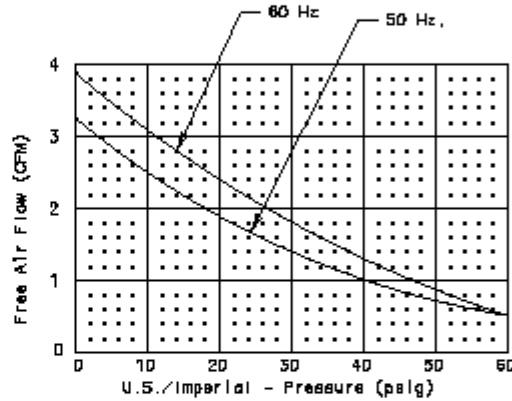
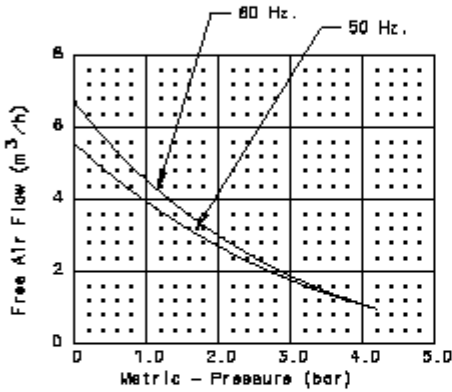
GAST

A UNIT OF **LEK** CORPORATION
BENTON HARBOR, MI U.S.A.

3000 60 Hz. 2500 50 Hz.	<72 dB(A)	°C	20% - 80%	23 LBS. 10.45 KG.
V	HP.	KW	Hz.	A
115/110	1/2	0.37	60/50	5.5/4.9

PART NUMBER	REV.
RTD541	A
MODEL NO.	DAA-P503-GB

- NOTES:
 1. ALL DIMENSIONS ARE FOR REF. USE ONLY.
 2. PRODUCT DIMENSIONS: U.S. IMPERIAL (Inches), METRIC (mm).
 3. TECHNICAL DATA SUBJECT TO CHANGE WITHOUT NOTICE.
 4. ENVIRONMENT: CLEAN DUST FREE.
 5. INSTALLATION: THIS PUMP MUST BE INSTALLED IN AN ENCLOSURE.
 6. REQUIRES A 10 mfd 570 VAC CAPACITOR.



PRODUCT SPECIFICATION

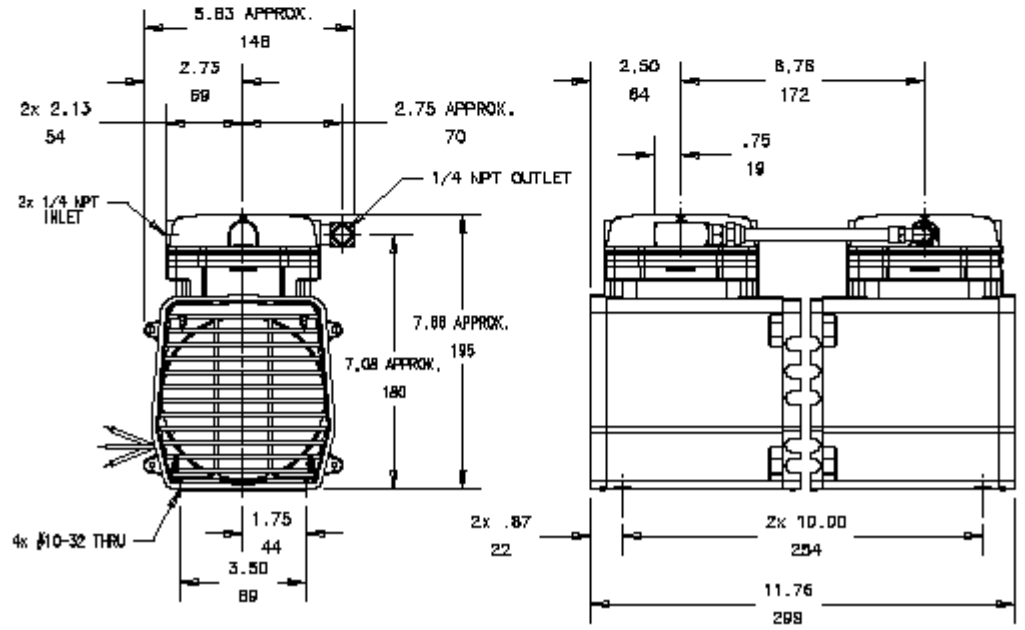
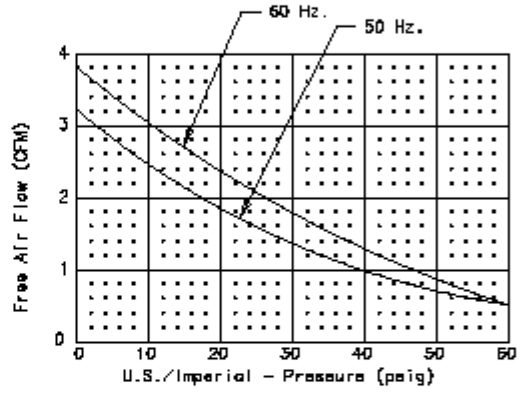
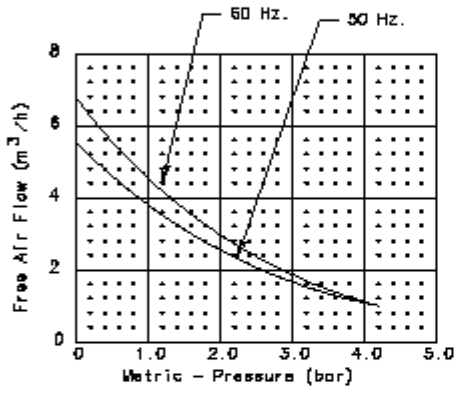
GAST

A UNIT OF **DEX** CORPORATION
BENTON HARBOR, MI U.S.A.

3000 2500 60 Hz. 50 Hz.	<72 dB(A)	°C	20% - 80%	28 LBS 12.7 kg.
V	HP.	kW	Hz.	A
230/220	1/2	0.37	60/50	2.1/2.0

PART NUMBER	REV.
RTD544	B
MODEL NO.	
DAA-P503-GD	

- NOTES:
 1. ALL DIMENSIONS ARE FOR REF. USE ONLY.
 2. PRODUCT DIMENSIONS: U.S. IMPERIAL (Inches), METRIC (mm).
 3. TECHNICAL DATA SUBJECT TO CHANGE WITHOUT NOTICE.
 4. ENVIRONMENT: CLEAN DUST FREE.
 5. INSTALLATION: THIS PUMP MUST BE INSTALLED IN AN ENCLOSURE.
 6. REQUIRES A 10 mfd 370 VAC CAPACITOR.



PRODUCT SPECIFICATION

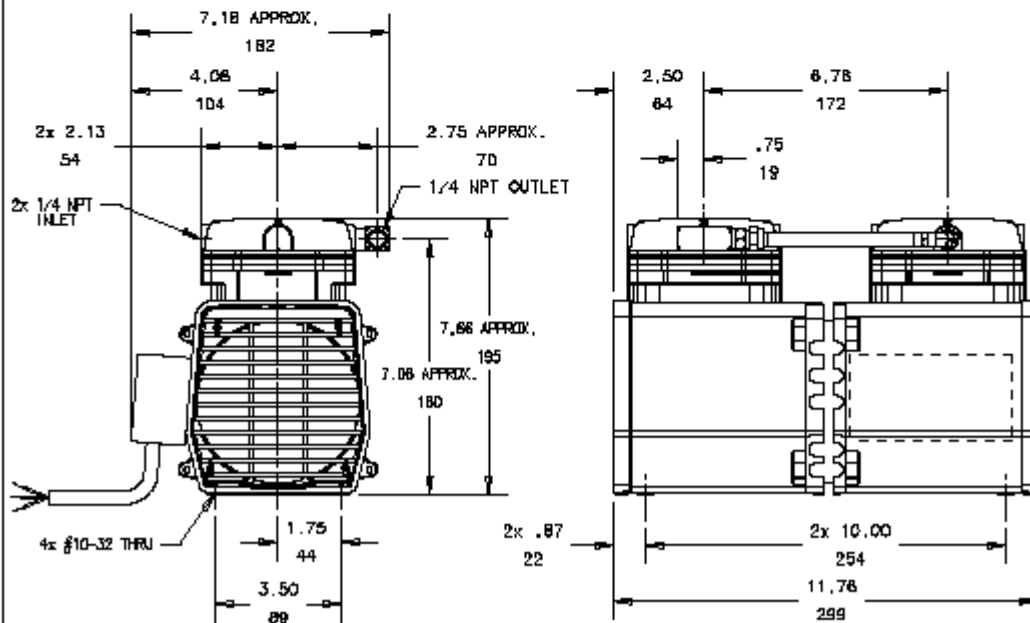
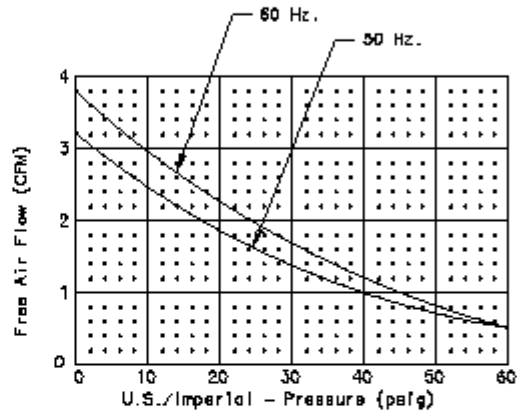
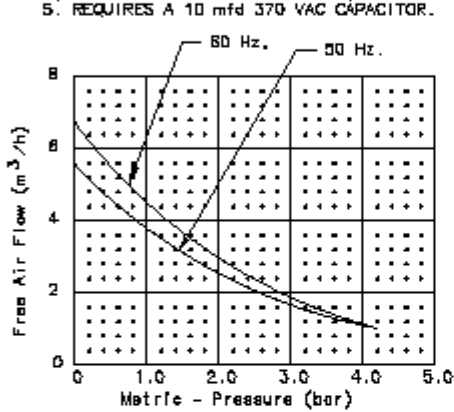
GAST

A UNIT OF ~~TEC~~ CORPORATION
BENTON HARBOR, MI U.S.A.

					PART NUMBER RTD547	REV. B
3000 60 Hz. 2500 50 Hz.	<72 dB(A)	°C	20% - 80%	28 LBS. 12.7 kg.		
V	HP.	KW	Hz.	A	MODEL NO. DAA-P512-GD	
230/220	1/2	0.37	60/50	2.1/2.0		

NOTES:

1. ALL DIMENSIONS ARE FOR REF. USE ONLY.
2. PRODUCT DIMENSIONS: U.S. IMPERIAL (inches), METRIC (mm).
3. TECHNICAL DATA SUBJECT TO CHANGE WITHOUT NOTICE.
4. ENVIRONMENT: CLEAN DUST FREE.
5. REQUIRES A 10 mfd 370 VAC CAPACITOR.



PRODUCT SPECIFICATION

GAST

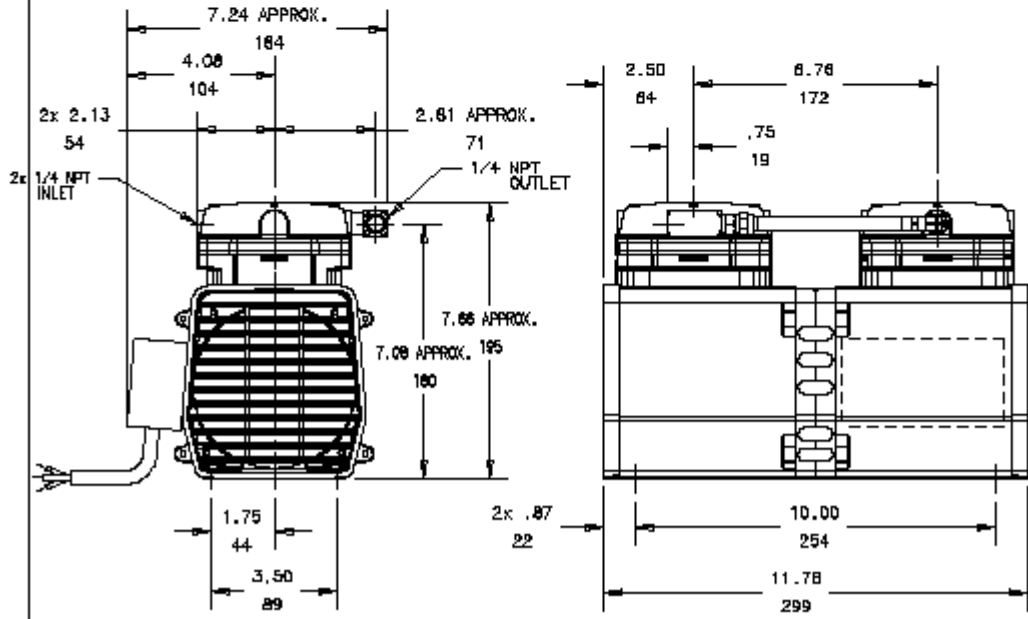
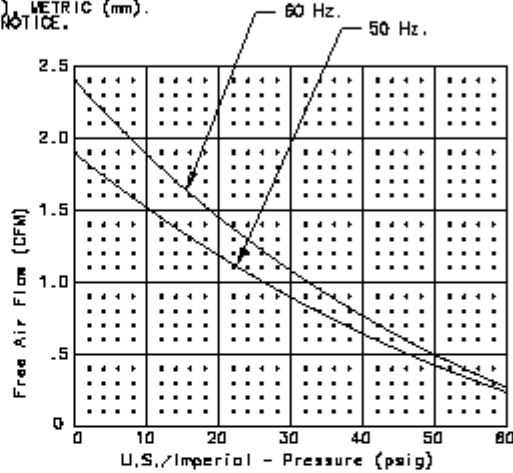
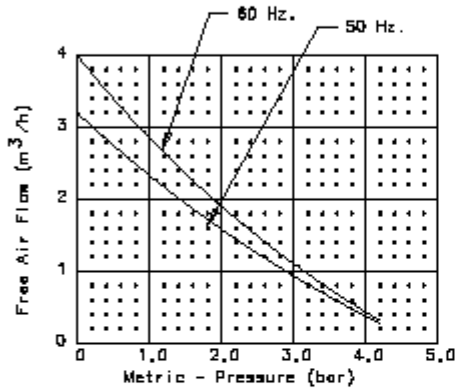
A UNIT OF ~~DEX~~ CORPORATION
BENTON HARBOR, MI U.S.A.

1575 60 Hz. 1275 50 Hz.	<70 dB(A)	°C	20% - 80%	28 LBS. 12.7 KG.
V	HP.	kW	Hz.	A
230/220	1/4	0.19	60/50	1.8/2.0

PART NUMBER	REV.
RTD556	A
MODEL NO.	DAA-P513-EG

NOTES:

1. ALL DIMENSIONS ARE FOR REF. USE ONLY.
2. PRODUCT DIMENSIONS: U.S. IMPERIAL (inches), METRIC (mm).
3. TECHNICAL DATA SUBJECT TO CHANGE WITHOUT NOTICE.
4. ENVIRONMENT: CLEAN DUST FREE.
5. REQUIRES A 4 mfd 370 VAC CAPACITOR.



PRODUCT SPECIFICATION

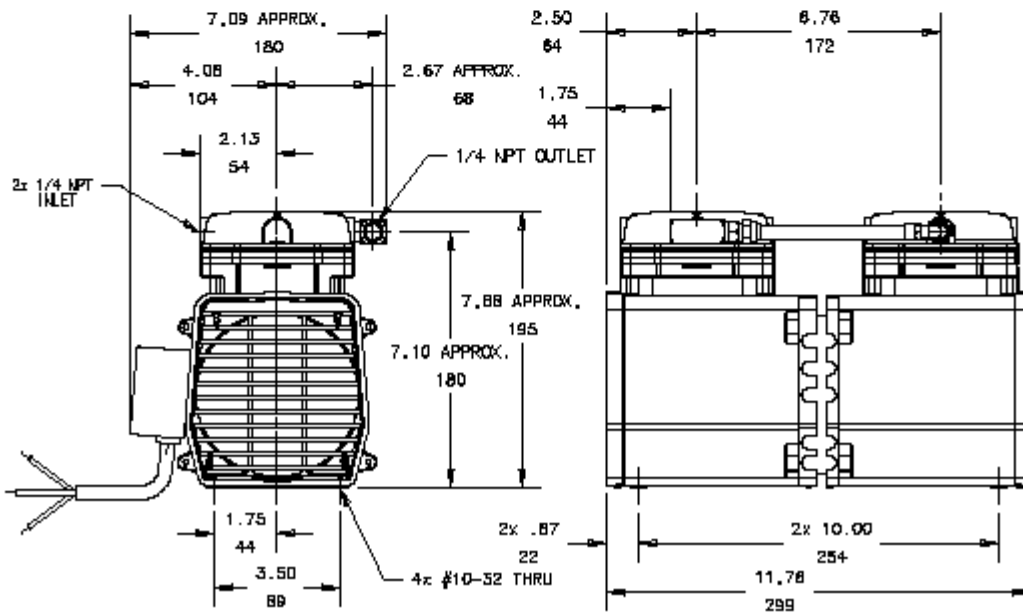
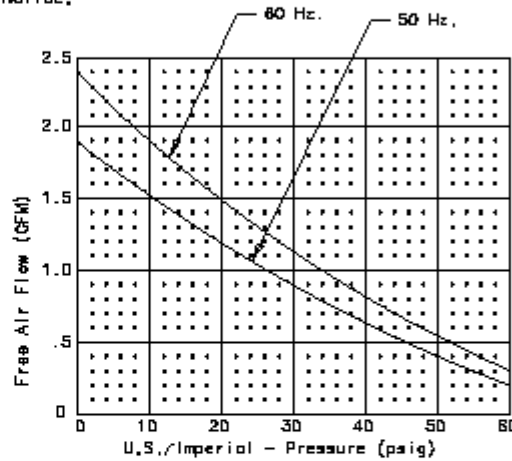
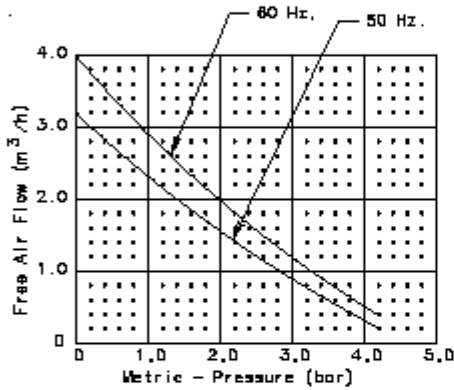
GAST

A UNIT OF ~~LEK~~ CORPORATION
BENTON HARBOR, MI U.S.A.

					PART NUMBER RTD538	REV. B
1575 60 Hz 1275 50 Hz	<70 dB(A)	°C	20% - 80%	28 LBS. 12.7 kg.		
V	HP.	kW	Hz.	A	MODEL NO. DAA-P517-ED	
230/220	1/4	0.19	60/50	1.4/1.4		

NOTES:

1. ALL DIMENSIONS ARE FOR REF. USE ONLY.
2. PRODUCT DIMENSIONS: U.S. IMPERIAL (Inches), METRIC (mm).
3. TECHNICAL DATA SUBJECT TO CHANGE WITHOUT NOTICE.
4. ENVIRONMENT: CLEAN DUST FREE.
5. REQUIRES A 4 mfd 370 VAC CAPACITOR.



PRODUCT SPECIFICATION

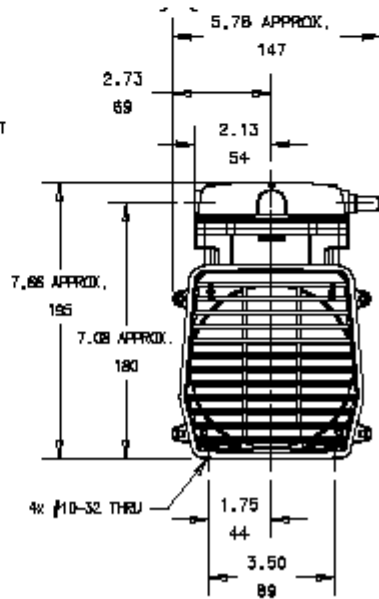
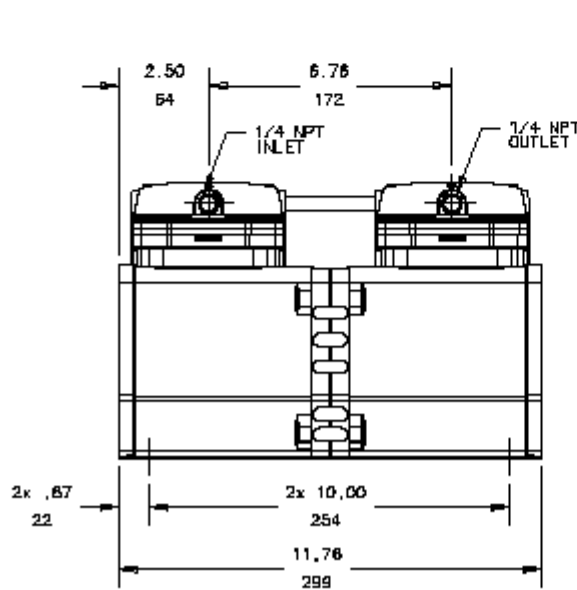
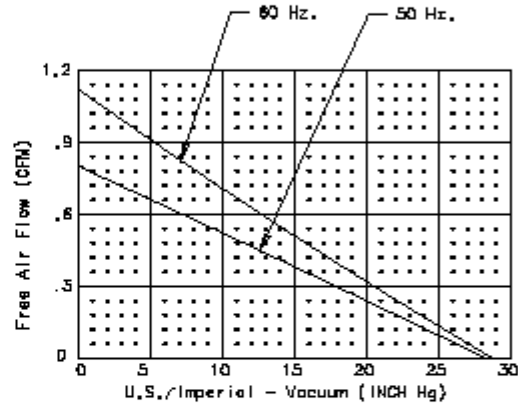
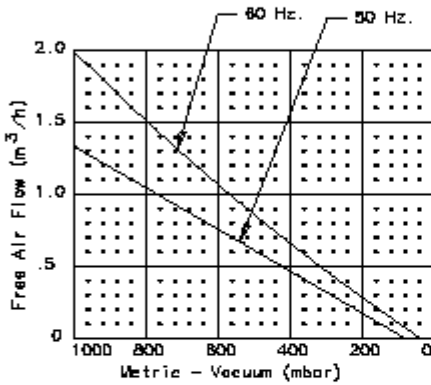
GAST

A UNIT OF ~~DEX~~ CORPORATION
BENTON HARBOR, MI U.S.A.

					PART NUMBER RTD530	REV. B
1575 80 Hz. 1275 50 Hz.	<70 dB(A)	°C	20* - 80*	23 LBS. 10.45 kg.		
V	HP.	KW	Hz.	A	MODEL NO. DAA-V502-EB	
115/110	1/4	0.19	60/50	2.7/2.8		

NOTES:

1. ALL DIMENSIONS ARE FOR REF. USE ONLY.
2. PRODUCT DIMENSIONS: U.S. IMPERIAL (Inches), METRIC (mm).
3. TECHNICAL DATA SUBJECT TO CHANGE WITHOUT NOTICE.
4. ENVIRONMENT: CLEAN DUST FREE.
5. INSTALLATION: THIS PUMP MUST BE INSTALLED IN AN ENCLOSURE.
6. REQUIRES A 7.5 mfd 370 VAC CAPACITOR.



PRODUCT SPECIFICATION

GAST

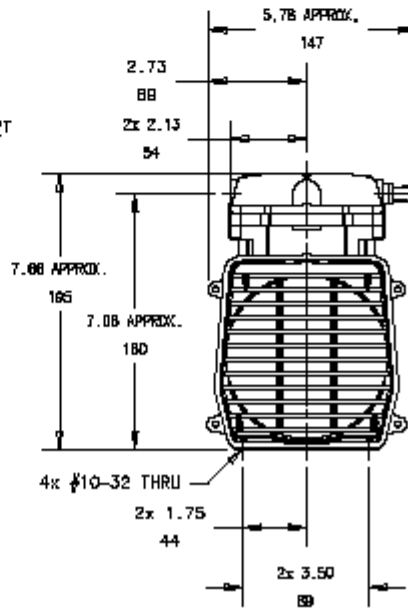
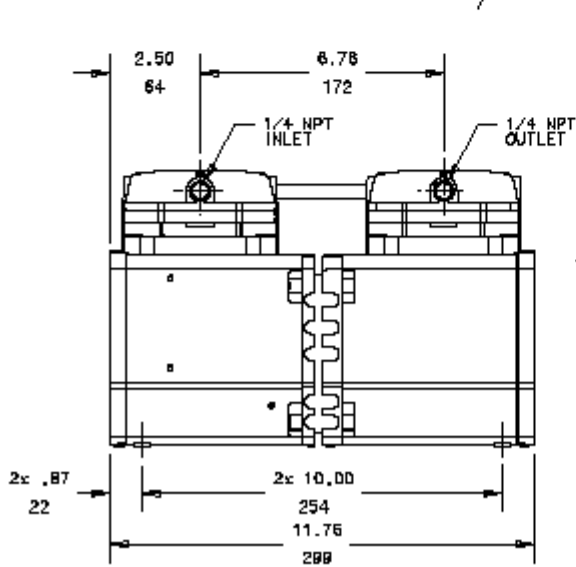
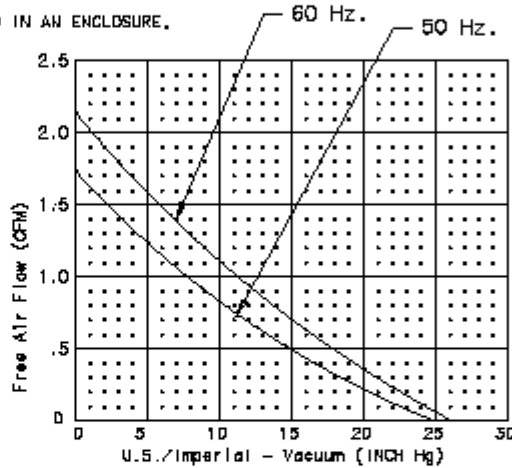
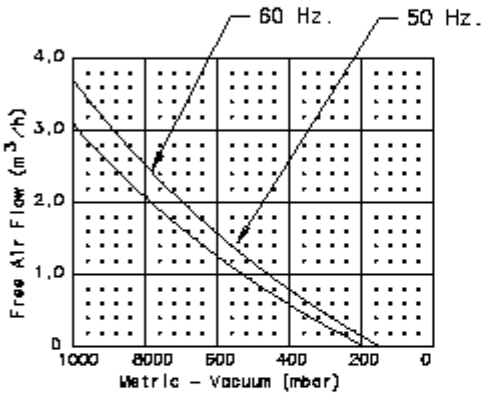
A UNIT OF ~~LE~~ CORPORATION
BENTON HARBOR, MI U.S.A.

1575 80 Hz. 1275 50 Hz.	.70 dB(A)	°C	20% - 80%	26 LBS. 12.7 KG.
V	HP.	KW	Hz.	A
230/220	1/4	0.19	60/50	1.0/1.3

PART NUMBER	REV.
RTD615	A
MODEL NUMBER	
DAA-V502-ED	

NOTES:

1. ALL DIMENSIONS ARE FOR REF. USE ONLY.
2. PRODUCT DIMENSIONS: U.S. IMPERIAL (INCHES), METRIC (mm).
3. TECHNICAL DATA SUBJECT TO CHANGE WITHOUT NOTICE.
4. ENVIRONMENT: CLEAN DUST FREE.
5. INSTALLATION: THIS PUMP MUST BE INSTALLED IN AN ENCLOSURE.
6. REQUIRES A 4 mfd 370 VAC CAPACITOR.



PRODUCT SPECIFICATION

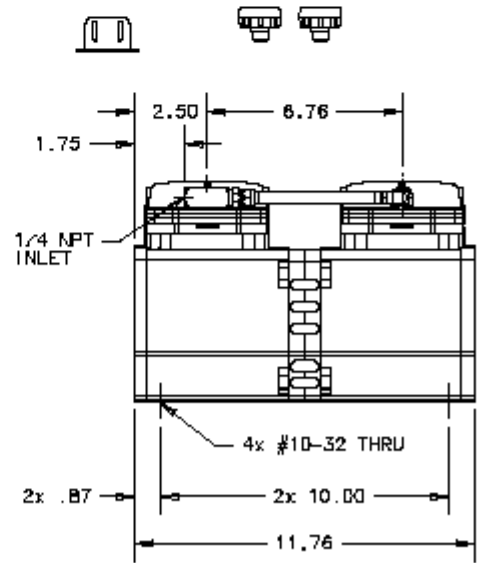
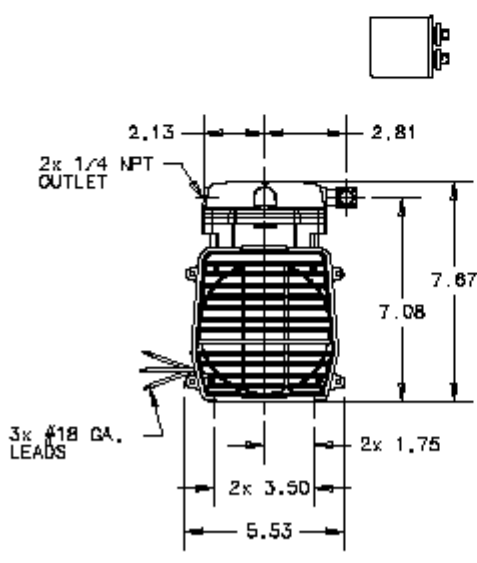
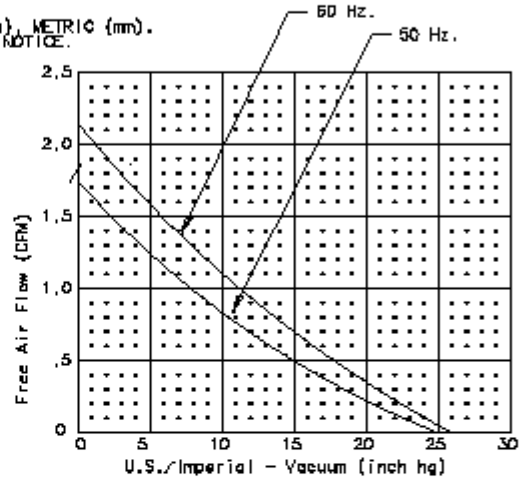
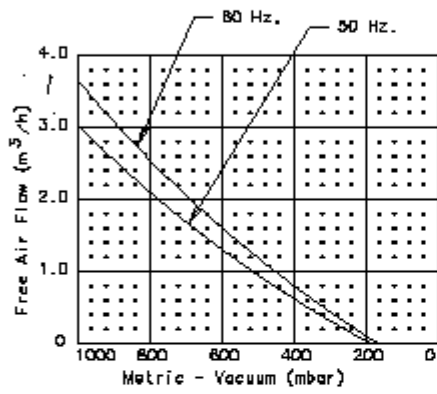
GAST

A UNIT OF ~~IBM~~ CORPORATION
BENTON HARBOR, MI U.S.A.

					PART NUMBER RTD798	REV. A
1575 60 Hz. 1275 50 Hz.	<70 dB(A)	°C	20% - 60%	25 LBS. 10.45 kg.		
V	HP.	kW	Hz.	A	MODEL NO. DAA-V505-EB	

NOTES:

1. ALL DIMENSIONS ARE FOR REF. USE ONLY.
2. PRODUCT DIMENSIONS: U.S. IMPERIAL (inches), METRIC (mm).
3. TECHNICAL DATA SUBJECT TO CHANGE WITHOUT NOTICE.
4. ENVIRONMENT: CLEAN DUST FREE.
5. REQUIRES A 7.5 mfd, 370 VAC CAPACITOR.



PRODUCT SPECIFICATION

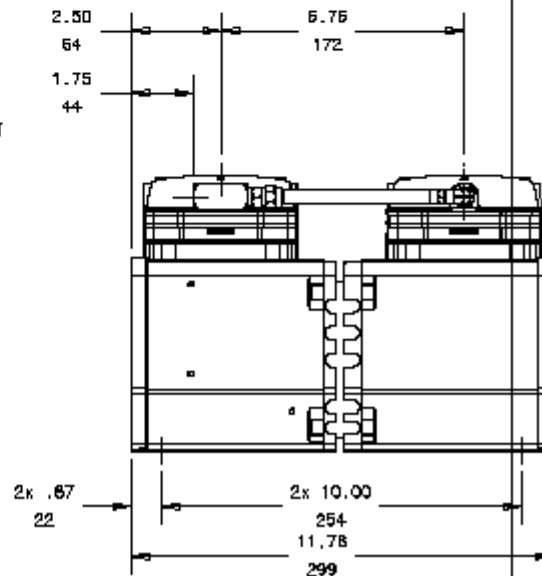
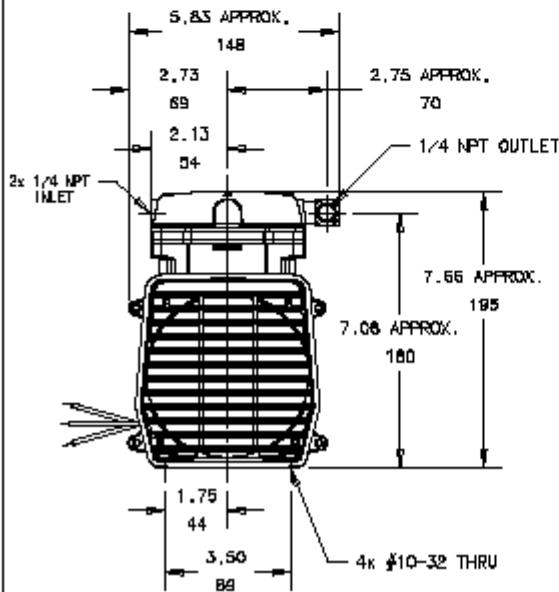
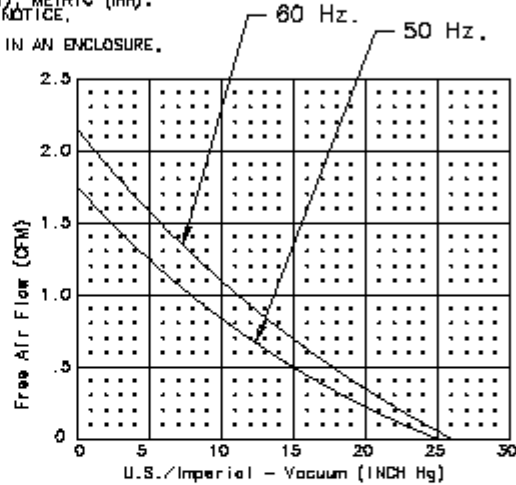
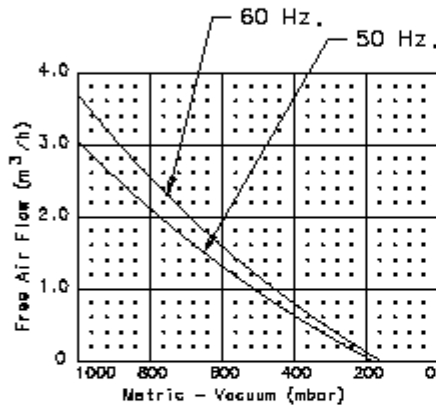
GAST

A UNIT OF ~~DEX~~ CORPORATION
BENTON HARBOR, MI U.S.A.

					PART NUMBER RTD536	REV. B
1575 60 Hz. 1275 50 Hz.	<70 dB(A)	°C	20r - 80r	25 LBS 12.7 kg.		
V.	HP.	kW	Hz.	A	MODEL NO. DAA-V505-ED	
230/220	1/4	0.19	60/50	1.0/1.3		

NOTES:

1. ALL DIMENSIONS ARE FOR REF. USE ONLY.
2. PRODUCT DIMENSIONS: U.S. IMPERIAL (Inches), METRIC (mm).
3. TECHNICAL DATA SUBJECT TO CHANGE WITHOUT NOTICE.
4. ENVIRONMENT: CLEAN DUST FREE.
5. INSTALLATION: THIS PUMP MUST BE INSTALLED IN AN ENCLOSURE.
6. REQUIRES A + mfd. 570 VAC CAPACITOR.



PRODUCT SPECIFICATION

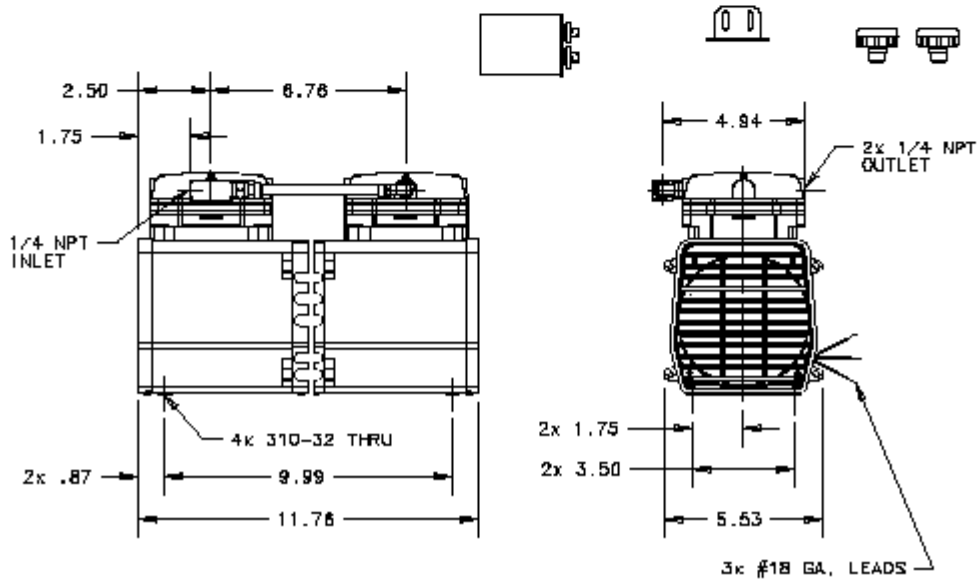
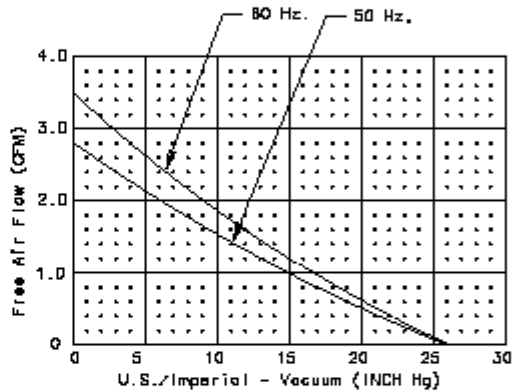
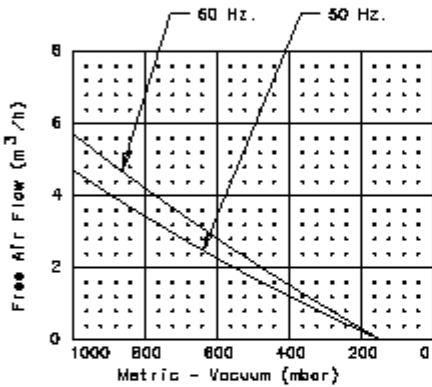
GAST

A UNIT OF ~~TEK~~ CORPORATION
BENTON HARBOR, MI U.S.A.

					PART NUMBER RTD796	REV. B
3000 60 Hz. 2500 50 Hz.	(<70 - 87 dB(A))	*C	20% - 80%	23 LBS. 10.45 KG.		
V	HP.	kW	Hz.	A	MODEL NO. DAA-V505-GB	
115/110	1/2	0.37	60/50	5.5/4.9		

NOTES:

1. ALL DIMENSIONS ARE FOR REF. USE ONLY.
2. PRODUCT DIMENSIONS: U.S. IMPERIAL (inches).
3. TECHNICAL DATA SUBJECT TO CHANGE WITHOUT NOTICE.
4. ENVIRONMENT: CLEAN DUST FREE.
5. REQUIRES A 10 mfd 370 VAC CAPACITOR.



PRODUCT SPECIFICATION

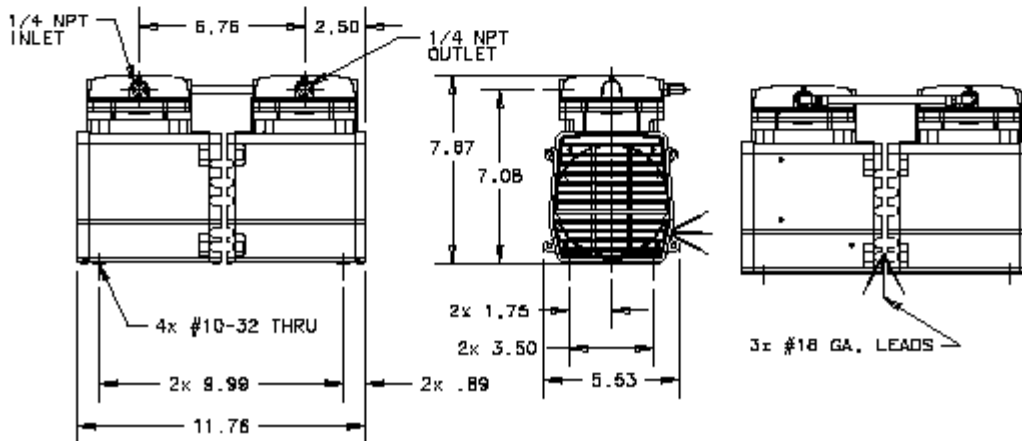
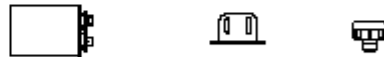
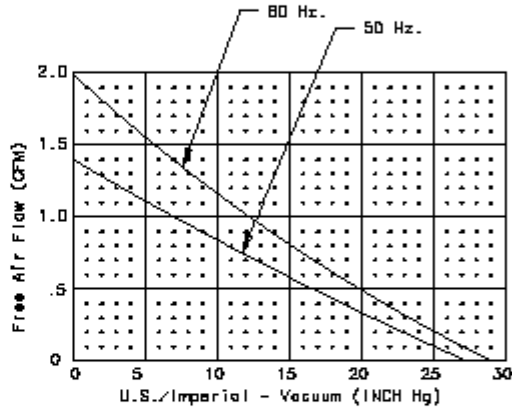
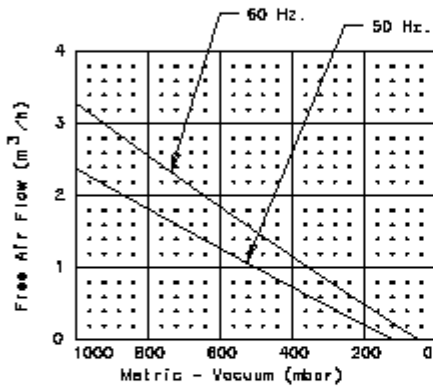
GAST

A UNIT OF ~~TELEX~~ CORPORATION
BENTON HARBOR, MI U.S.A.

					PART NUMBER RTD797	REV. A
3000 80 Hz. 2500 50 Hz.	(70 - 87 dB(A))	*C	20% - 80%	23 LBS. 10.45 kg.		
V	HP.	kW	Hz.	A	MODEL NO. DAA-V507-GB	
115/110	1/2	0.37	60/50	5.5/4.9		

NOTES:

1. ALL DIMENSIONS ARE FOR REF. USE ONLY.
2. PRODUCT DIMENSIONS: U.S. IMPERIAL (inches).
3. TECHNICAL DATA SUBJECT TO CHANGE WITHOUT NOTICE.
4. ENVIRONMENT: CLEAN DUST FREE.
5. REQUIRES A 10 mfd 370 VAC CAPACITOR.



PRODUCT SPECIFICATION					GAST A UNIT OF DEX CORPORATION BENTON HARBOR, MI U.S.A.	
					PART NUMBER RTD554	REV. A
1275	< 70 dB(A)	°C	20% - 80%	23 lbs. 10.45 Kg.		
V	HP.	KW	Hz.	A	MODEL NO. DAA-V510-EG	
240	1/4	0.19	50	1.6		

- NOTES:
 1. ALL DIMENSIONS ARE FOR REF. USE ONLY.
 2. PRODUCT DIMENSIONS: U.S. IMPERIAL (inches), METRIC (mm).
 3. TECHNICAL DATA SUBJECT TO CHANGE WITHOUT NOTICE.
 4. ENVIRONMENT: CLEAN DUST FREE.
 5. REQUIRES A + mfd 370 VAC CAPACITOR.

