

# GAST

A UNIT OF IDEX CORPORATION  
BENTON HARBOR, MI U.S.A.



5D1060-102-1034

MODEL NUMBER

VTD091

5-9-00

DATE

PART NUMBER

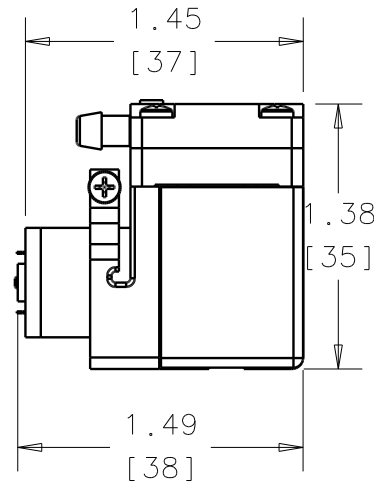
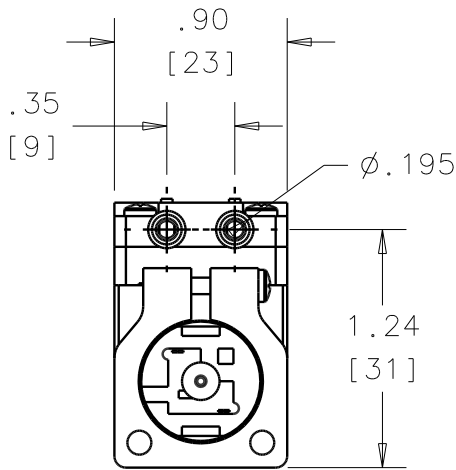
## PRODUCT SPECIFICATION

5500	<70dBa	°C	10-95	42.5g

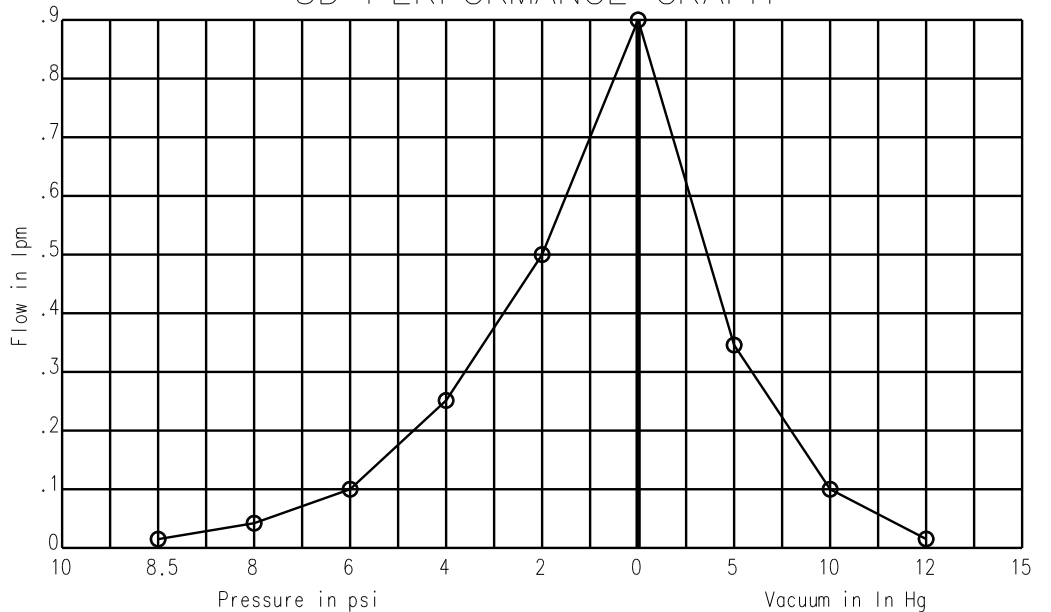
MOTOR	6V	REVISION
FREQUENCY	N/A	A
MAX AMP DRAW	.25	CHANGE NUMBER
MATERIAL	EPDM DIAPHRAGM AND VALVE	
ENVIRONMENT	CLEAN DUST FREE	
*TEMPERATURE	23°C/73.4°F	
*ATM PRESSURE	29.92 In Hg/14.7psi	

NOTES:

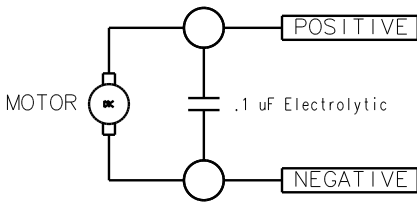
- ALL DIMENSIONS ARE FOR REFERENCE ONLY.
- PRODUCT DIMENSION: U.S. IMPERIAL (inches) METRIC(mm).



### 5D PERFORMANCE GRAPH



5D 6V



PRODUCT PERFORMANCE MAY VARY ± 10% FROM PRODUCT PERFORMANCE CURVES.

TECHNICAL DATA SUBJECT TO CHANGE WITHOUT NOTICE.

\*TEST CONDITIONS