

GAST

A UNIT OF IDEX CORPORATION
BENTON HARBOR, MI U.S.A.



5D1060-101-1030

MODEL NUMBER

VTD092

5-8-01

DATE

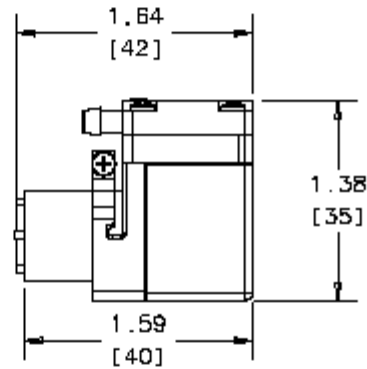
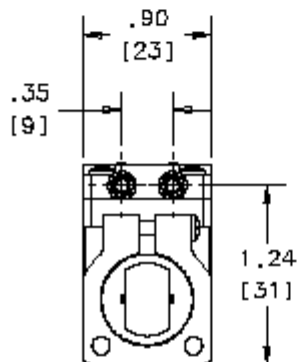
PART NUMBER

PRODUCT SPECIFICATION

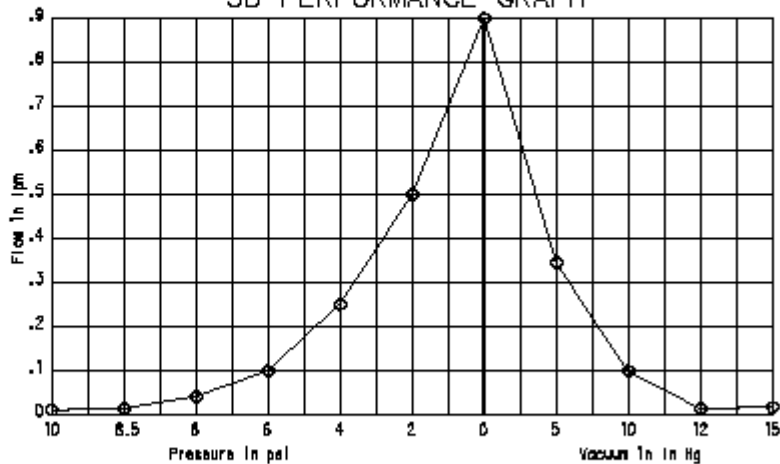
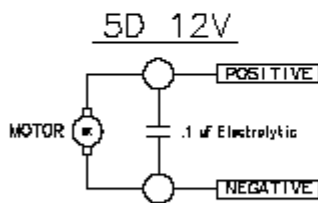
7500	<70dBa	*C	10-85	42.5g

MOTOR	12V	REVISION
FREQUENCY	N/A	A
MAX AMP DRAW	.20	CHANGE NUMBER
MATERIAL	EPDM DIAPHRAGM AND VALVE	
ENVIRONMENT	CLEAN DUST FREE	
*TEMPERATURE	23°C/73.4°F	
*ATM PRESSURE	29.92 In Hg/14.7psi	

NOTES:
1. ALL DIMENSIONS ARE FOR REFERENCE ONLY.
2. PRODUCT DIMENSION: U.S. IMPERIAL (inches)
METRIC (mm).



5D PERFORMANCE GRAPH



PRODUCT PERFORMANCE MAY VARY ± 10% FROM PRODUCT PERFORMANCE CURVES.
TECHNICAL DATA SUBJECT TO CHANGE WITHOUT NOTICE.

*TEST CONDITIONS

GAST

A UNIT OF IDEX CORPORATION
BENTON HARBOR, MI U.S.A.



5D1060-101-1031

MODEL NUMBER

VTDO89

5-9-01

DATE

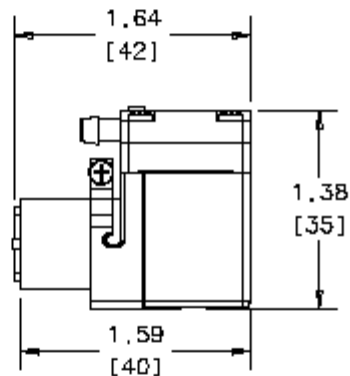
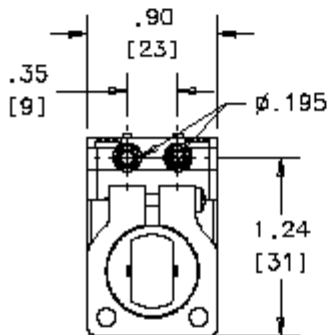
PART NUMBER

PRODUCT SPECIFICATION

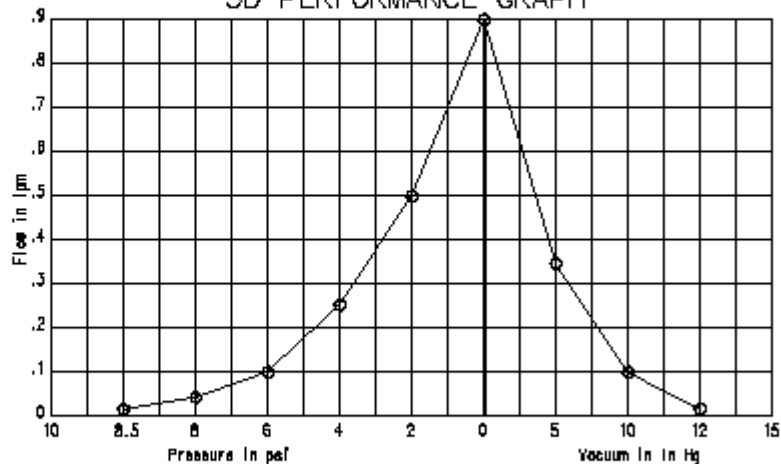
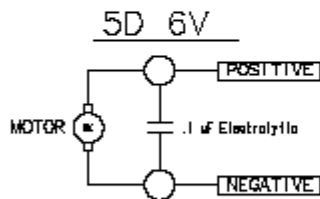
5500	<70dBa	*C	10-95	42.5g

MOTOR	6V	REVISION
FREQUENCY	N/A	A
MAX AMP DRAW	.12	CHANGE NUMBER
MATERIAL	EPDM DIAPHRAGM AND VALVE	
ENVIRONMENT	CLEAN DUST FREE	
*TEMPERATURE	23°C/73.4°F	
*ATM PRESSURE	29.92 In Hg/14.7psf	

NOTES:
1. ALL DIMENSIONS ARE FOR REFERENCE ONLY.
2. PRODUCT DIMENSION: U.S. IMPERIAL (inches)
METRIC (mm).



5D PERFORMANCE GRAPH



PRODUCT PERFORMANCE MAY VARY ± 10% FROM PRODUCT PERFORMANCE CURVES.
TECHNICAL DATA SUBJECT TO CHANGE WITHOUT NOTICE.

*TEST CONDITIONS

GAST

A UNIT OF IDEX CORPORATION
BENTON HARBOR, MI U.S.A.



5D1060-101-1073

MODEL NUMBER

VTD093

5-8-01

DATE

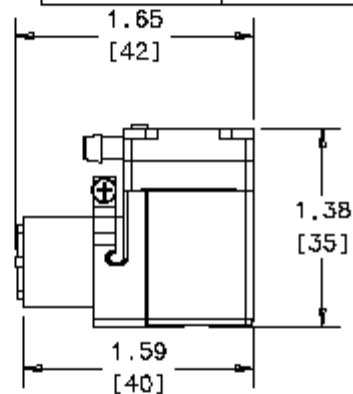
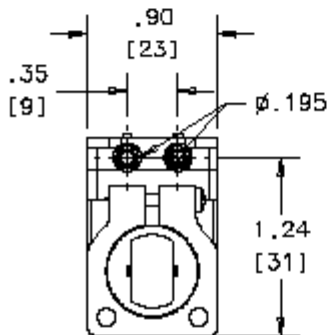
PART NUMBER

PRODUCT SPECIFICATION

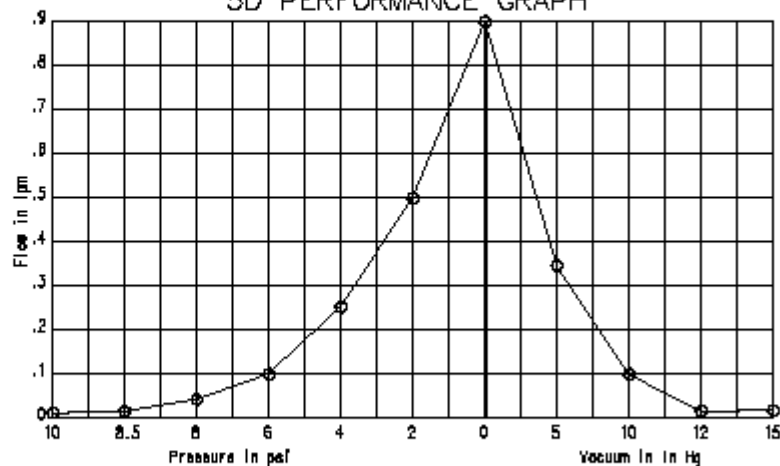
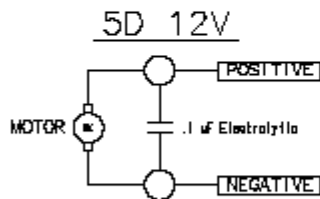
7500	<70dBa	*C	10-95	42.5g

MOTOR	12V	REVISION	A
FREQUENCY	N/A	CHANGE NUMBER	
MAX AMP DRAW	.08		
MATERIAL	EPDM DIAPHRAGM AND VALVE		
ENVIRONMENT	CLEAN DUST FREE		
*TEMPERATURE	23°C/73.4°F		
*ATM PRESSURE	29.92 In Hg/14.7psf		

NOTES:
1. ALL DIMENSIONS ARE FOR REFERENCE ONLY.
2. PRODUCT DIMENSION: U.S. IMPERIAL (inches)
METRIC (mm).



5D PERFORMANCE GRAPH



PRODUCT PERFORMANCE MAY VARY ± 10% FROM PRODUCT PERFORMANCE CURVES.
TECHNICAL DATA SUBJECT TO CHANGE WITHOUT NOTICE.

*TEST CONDITIONS

GAST

A UNIT OF IDEX CORPORATION
BENTON HARBOR, MI U.S.A.



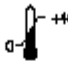


PART NUMBER: VTD223

REV. A

MODEL NUMBER:
5D6070-101-1076

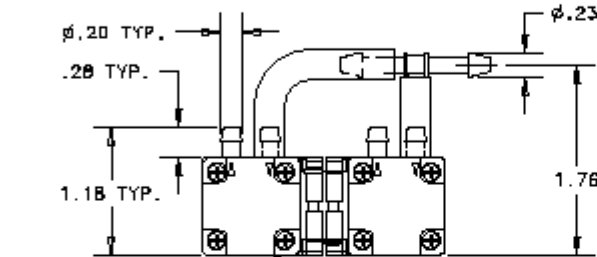
DATE
7-28-11

PRODUCT SPECIFICATION

					MOTOR	6V	
5500	<70dBa	*C	10-95	56.7g	FREQUENCY	N/A	
						MAX AMP DRAW	.16
						MATERIAL	EPDM DIAPHRAGM AND VALVE
						ENVIRONMENT	CLEAN DUST FREE
						*TEMPERATURE	23°C/73.4°F
						*ATM PRESSURE	29.92 In Hg/14.7psi

NOTES:

1. ALL DIMENSIONS ARE FOR REFERENCE USE ONLY.
2. PRODUCT DIMENSIONS: U.S. IMPERIAL (Inches).
3. PRODUCT PERFORMANCE MAY VARY ± 10% FROM PRODUCT PERFORMANCE CURVES.
4. *TEST CONDITIONS



2x #26 GA. LEADS
6" LONG, STRIPPED .25"
RED (+) BLACK (-)

