

GAST

A UNIT OF IDEX CORPORATION
BENTON HARBOR, MI U.S.A.



3D1060-101-1073

MODEL NUMBER

VTDO41

8-29-00

DATE

PART NUMBER

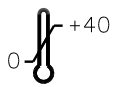
PRODUCT SPECIFICATION



5000



<70dBa



°C



10-95



16g

MOTOR

12V

REVISION

FREQUENCY

N/A

D

MAX AMP DRAW

.04

CHANGE NUMBER

MATERIAL

--

1402077
1402131
45557

ENVIRONMENT

CLEAN DUST FREE

*TEMPERATURE

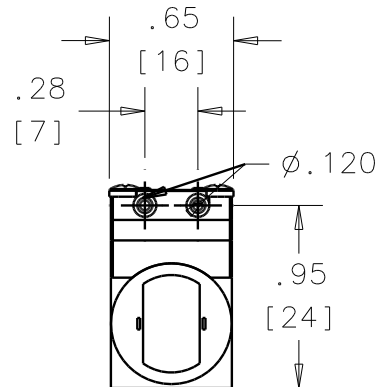
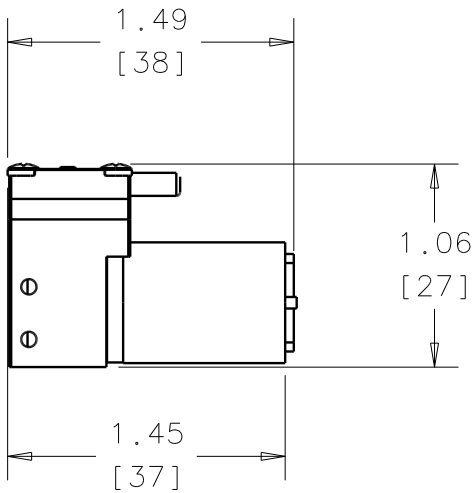
23°C/73.4°F

*ATM PRESSURE

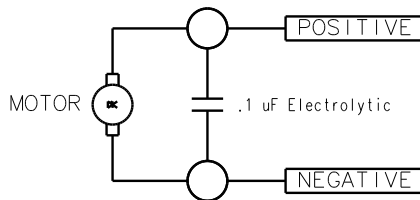
29.92 In Hg/14.7psi

NOTES:

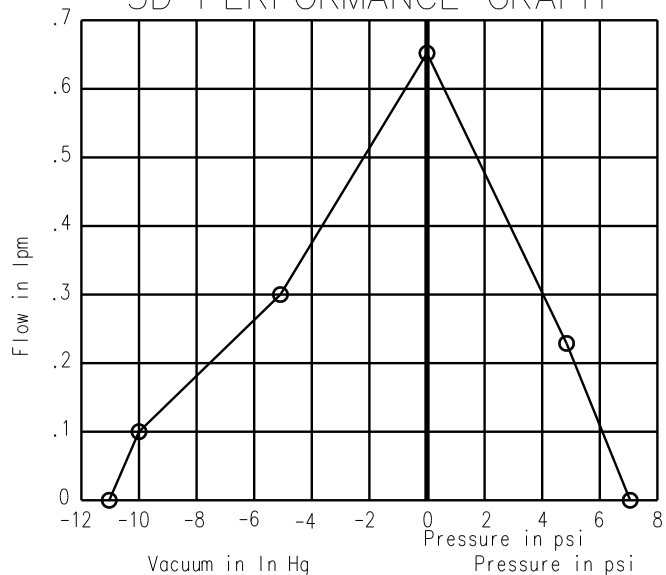
- ALL DIMENSIONS ARE FOR REFERENCE ONLY.
- PRODUCT DIMENSION: U.S. IMPERIAL (inches)
METRIC(mm).



3D 12V



3D PERFORMANCE GRAPH



PRODUCT PERFORMANCE MAY VARY $\pm 10\%$ FROM PRODUCT PERFORMANCE CURVES.
TECHNICAL DATA SUBJECT TO CHANGE WITHOUT NOTICE.

*TEST CONDITIONS