

GAST

A UNIT OF IDEX CORPORATION
BENTON HARBOR, MI U.S.A.



2D1034-101-1061

MODEL NUMBER

VTD096

5-4-01

DATE

PART NUMBER

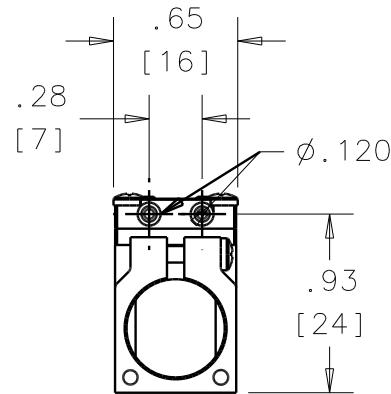
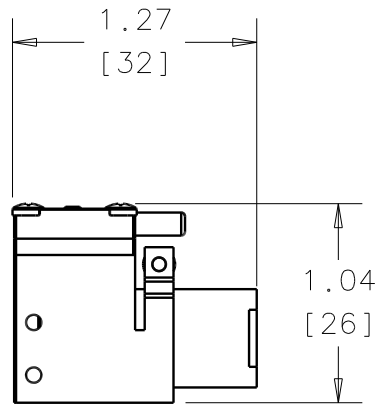
PRODUCT SPECIFICATION

7500	<70dBa	°C	.95max	16g

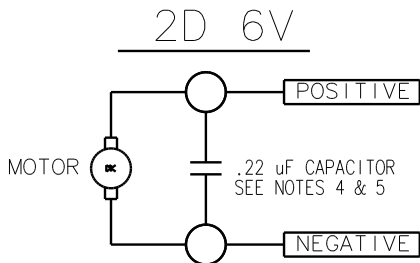
MOTOR	6V	REVISION
FREQUENCY	DC	B
MAX AMP DRAW	.05	
MATERIAL	EPDM DIAPHRAGM AND VALVE	
ENVIRONMENT	CLEAN DUST FREE	
*TEMPERATURE	23°C/73.4°F	
*ATM PRESSURE	29.92 In Hg/14.7psi	

NOTES:

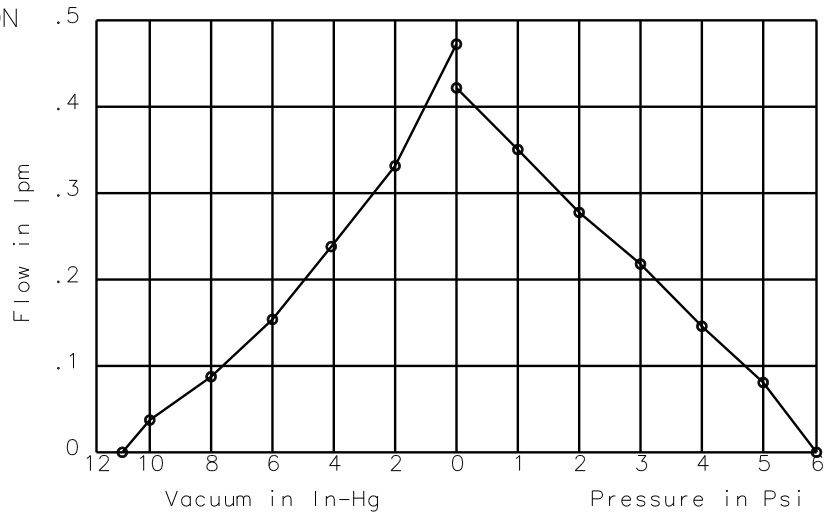
1. ALL DIMENSIONS ARE FOR REFERENCE ONLY.
2. PRODUCT DIMENSION: U.S. IMPERIAL (inches), METRIC (mm).
3. INSTALLATION: THIS PUMP MUST BE INSTALLED IN AN ENCLOSURE.
4. CAPACITOR NOT INCLUDED.
5. ELECTROLYTIC CAPACITORS ARE POLARIZED. INSTALL POSITIVE SIDE OF CAPACITOR TO POSITIVE WIRE LEAD.



EMI/RFI REDUCTION CONFIGURATION (AS REQUIRED)



2D PERFORMANCE GRAPH



PRODUCT PERFORMANCE MAY VARY ± 10% FROM PRODUCT PERFORMANCE CURVES.
TECHNICAL DATA SUBJECT TO CHANGE WITHOUT NOTICE.

*TEST CONDITIONS