



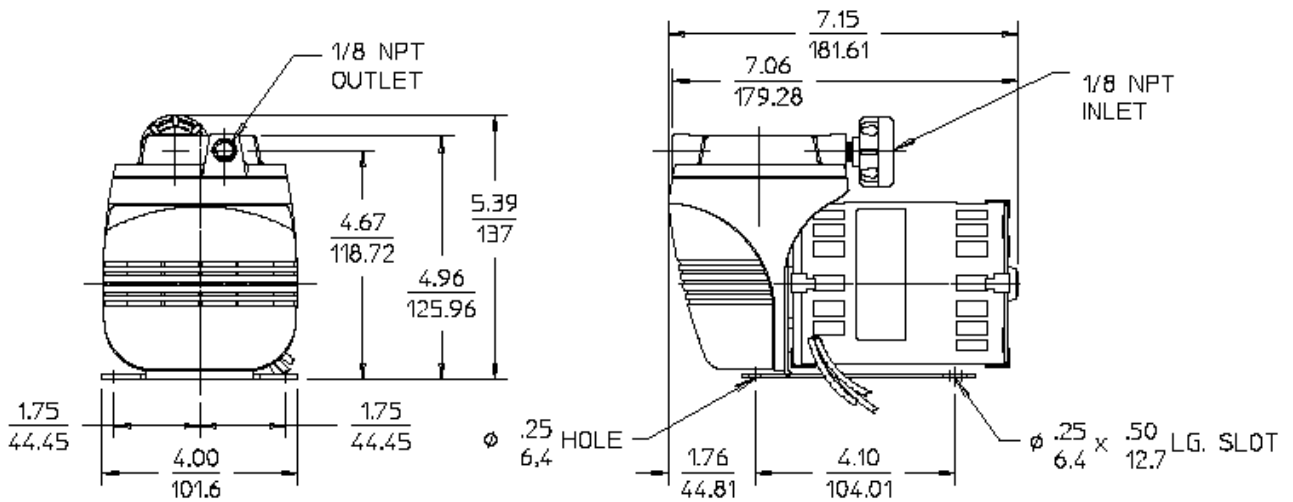
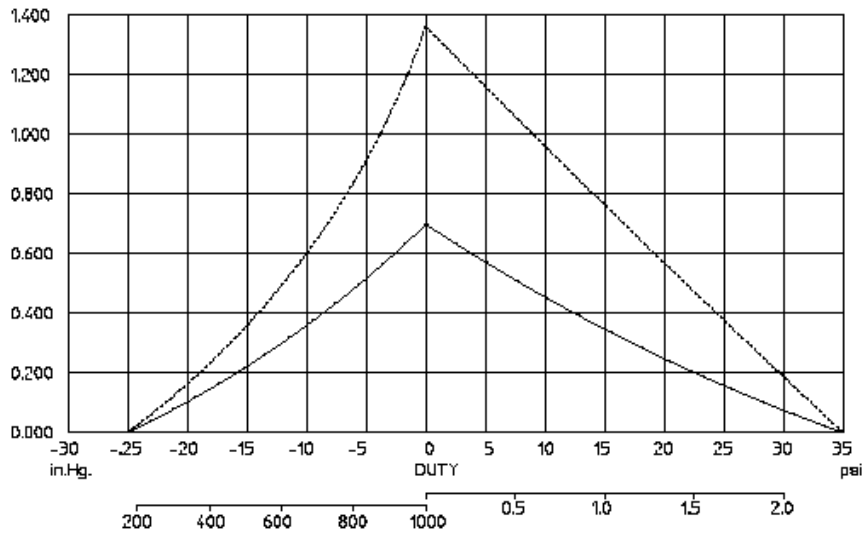
Past Office Box 97  
Benton Harbor, Michigan  
Ph: 269/926-6171  
Fax: 269/925-8288

PART NUMBER: VTD014

REV. H


NORMAL OPERATING RPM: \_\_\_\_\_  
SOUND LEVEL: \_\_\_\_\_ LESS THAN 70 dBA  
NORMAL AMBIENT MIN: \_\_\_\_\_ 0 C  
NORMAL AMBIENT MAX: \_\_\_\_\_ 40 C  
RELATIVE HUMIDITY MIN: \_\_\_\_\_ 10%  
RELATIVE HUMIDITY MAX: \_\_\_\_\_ 95%



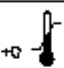
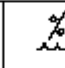
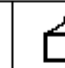
COMMENT: \_\_\_\_\_ THIS PUMP MUST BE INSTALLED  
INSIDE AN ENCLOSURE  
ENVIROMENT: \_\_\_\_\_ CLEAN DUST FREE  
LINE VOLTAGE: \_\_\_\_\_ VARIES, SEE INDIVIDUAL MODEL DESCRIPTIONS  
INLET AIR DENSITY: \_\_\_\_\_ 0.075 lbs./cu ft  
TEMPERATURE: \_\_\_\_\_ 23 C/73.4 F  
ATM. PRESSURE: \_\_\_\_\_ 29.92 In Hg/14.7 psi



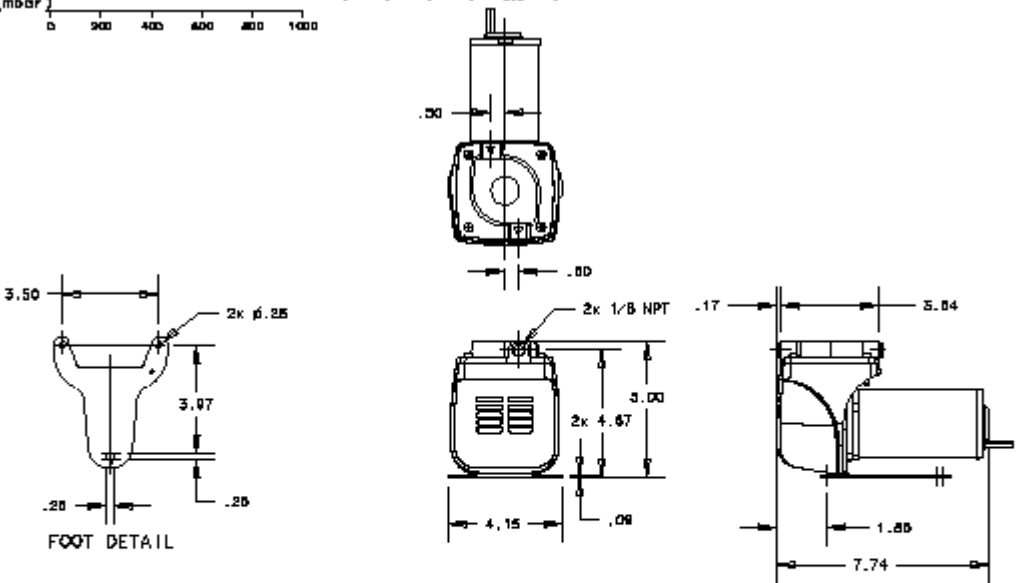
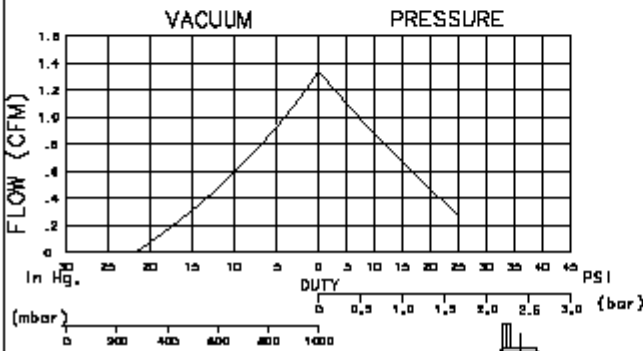
\* = INACTIVE

MODEL NUMBER	MOTOR	FREQUENCY	HP	kW	OPERATING VOLTAGE	MAX AMP DRAW	lbs. oz.	Kg. GRAMS
22D1180-201-1003	115V	60HZ.	0.0	0.0			4.8 0	2,16 0,0
22D1180-202-1003	115V	60HZ.	0.0	0.0			5.5 0	2,50 0,0
* 22D1180-201-1013	115V	60HZ.	0.0	0.0			5.5 0	2,50 0,0
* 22D1180-202-1013	115V	60HZ.	0.0	0.0			4.8 0	2,16 0,0
22D1180-204-1018	115V	60HZ.	0.0	0.0			4.8 0	2,16 0,0
22D1180-201-1019	230V	60HZ.	0.0	0.0			5.5 0	2,50 0,0
* 22D1180-202-1019	230V	50/60HZ.	0.0	0.0		N/A	5.5 0	2,50 0,0
* 22D1180-203-1019	230V	50/60HZ.	0.0	0.0		N/A	5.5 0	2,50 0,0
22D1180-216-1018	115V	60HZ.	0.0	0.0			4.8 0	2,16 0,0

 <b>GAST</b> A UNIT OF IDEX CORPORATION BENTON HARBOR, MI U.S.A.	GAST MANUFACTURING A UNIT OF IDEX CORPORATION POST OFFICE BOX 97 BENTON HARBOR, MICHIGAN PH: 268/626-9171 FAX: 268/925-8288	PART NUMBER:	REV.
		VTD015	P

PRODUCT SPECIFICATION				
				
3000	<70 db(A)	+0 °C	10" to 85"	4.4 lbs/2.21 kg

- NOTES:
1. THIS PUMP MUST BE INSTALLED IN AN ENCLOSURE.
  2. ALL DIMENSIONS ARE FOR REFERENCE USE ONLY.
  3. TECHNICAL DATA SUBJECT TO CHANGE WITHOUT NOTICE.
  4. ENVIRONMENT: CLEAN DUST FREE.



MODEL NUMBER	MOTOR	HP	KW	AMPS	MODEL NUMBER	MOTOR	HP	KW	AMPS
22D1180-201-1002	12V DC	1/8	.09	8	22D1180-208-1002	12V DC	1/8	.09	8
22D1180-201-1005	24V DC	1/8	.09	4	22D1180-208-1002	12V DC	1/8	.09	8
22D1180-201-1068	12V DC	1/8	.09	8	22D1180-230-1002	12V DC	1/8	.09	8
22D1180-202-1005	24V DC	1/8	.09	4					
22D1180-205-1002	12V DC	1/8	.09	8					



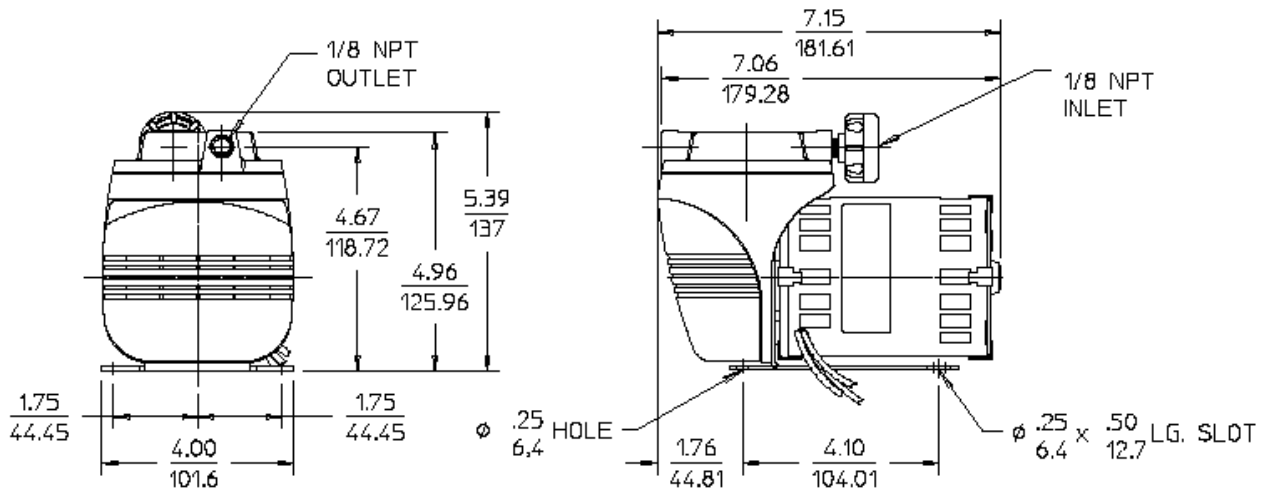
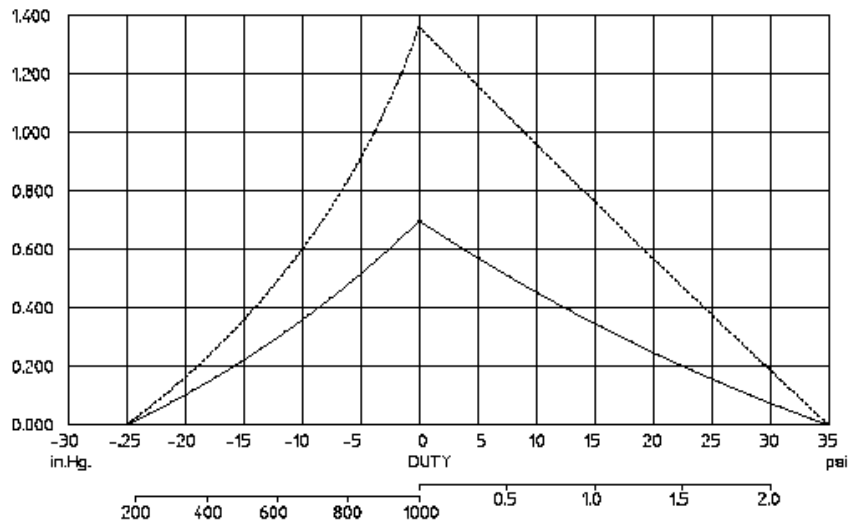
Post Office Box 97  
Benton Harbor, Michigan  
Ph: 269/926-6171  
Fax: 269/925-8288

PART NUMBER: VTDO14

REV. H


NORMAL OPERATING RPM: \_\_\_\_\_  
SOUND LEVEL: \_\_\_\_\_ LESS THAN 70 dB<sub>A</sub>  
NORMAL AMBIENT MIN: \_\_\_\_\_ 0 C  
NORMAL AMBIENT MAX: \_\_\_\_\_ 40 C  
RELATIVE HUMIDITY MIN: \_\_\_\_\_ 10%  
RELATIVE HUMIDITY MAX: \_\_\_\_\_ 95%



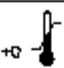
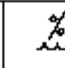
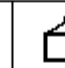
COMMENT: \_\_\_\_\_ THIS PUMP MUST BE INSTALLED  
INSIDE AN ENCLOSURE  
ENVIROMENT: \_\_\_\_\_ CLEAN DUST FREE  
LINE VOLTAGE: \_\_\_\_\_ VARIES. SEE INDIVIDUAL MODEL DESCRIPTIONS  
INLET AIR DENSITY: 0.075 lbs./cu ft  
TEMPERATURE: \_\_\_\_\_ 23 C/73.4 F  
ATM. PRESSURE: \_\_\_\_\_ 29.92 In Hg/14.7 psi



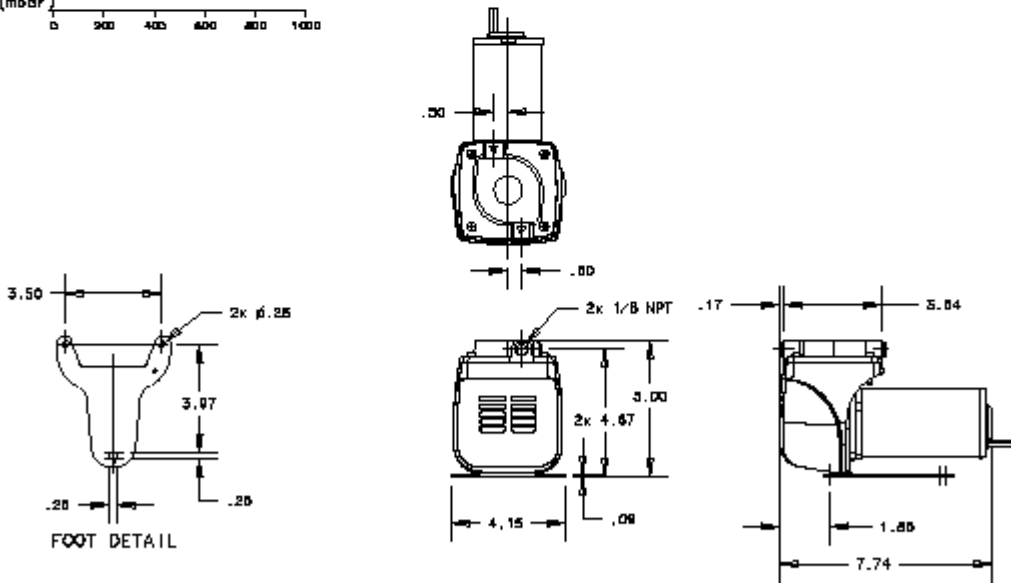
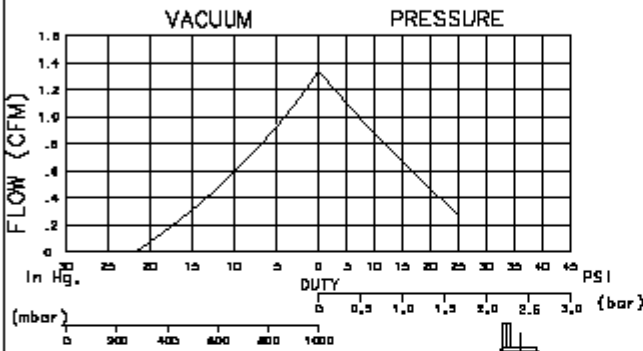
\* = INACTIVE

MODEL NUMBER	MOTOR	FREQUENCY	HP	kW	OPERATING VOLTAGE	MAX AMP DRAW	lbs. oz.	Kg. GRAMS
22D1180-201-1003	115V	60HZ.	0.0	0.0			4.8 0	2.16 0.0
22D1180-202-1003	115V	60HZ.	0.0	0.0			5.5 0	2.50 0.0
* 22D1180-201-1013	115V	60HZ.	0.0	0.0			5.5 0	2.50 0.0
* 22D1180-202-1013	115V	60HZ.	0.0	0.0			4.8 0	2.16 0.0
22D1180-204-1018	115V	60HZ.	0.0	0.0			4.8 0	2.16 0.0
22D1180-201-1019	230V	60HZ.	0.0	0.0			5.5 0	2.50 0.0
* 22D1180-202-1019	230V	50/60HZ.	0.0	0.0		N/A	5.5 0	2.50 0.0
* 22D1180-203-1019	230V	50/60HZ.	0.0	0.0		N/A	5.5 0	2.50 0.0
22D1180-216-1018	115V	60HZ.	0.0	0.0			4.8 0	2.16 0.0

 <b>GAST</b> A UNIT OF IDEX CORPORATION BENTON HARBOR, MI U.S.A.	GAST MANUFACTURING A UNIT OF IDEX CORPORATION POST OFFICE BOX 97 BENTON HARBOR, MICHIGAN PH: 268/828-5171 FAX: 268/925-8288	PART NUMBER:	REV.
		VTD015	P

PRODUCT SPECIFICATION				
				
3000	<70 db(A)	+0 °C	10" to 85"	4.4 lbs/2.21 kg

- NOTES:
1. THIS PUMP MUST BE INSTALLED IN AN ENCLOSURE.
  2. ALL DIMENSIONS ARE FOR REFERENCE USE ONLY.
  3. TECHNICAL DATA SUBJECT TO CHANGE WITHOUT NOTICE.
  4. ENVIRONMENT: CLEAN DUST FREE.



MODEL NUMBER	MOTOR	HP	KW	AMPS	MODEL NUMBER	MOTOR	HP	KW	AMPS
22D1180-201-1002	12V DC	1/8	.09	8	22D1180-208-1002	12V DC	1/8	.09	8
22D1180-201-1005	24V DC	1/8	.09	4	22D1180-208-1002	12V DC	1/8	.09	8
22D1180-201-1068	12V DC	1/8	.09	8	22D1180-230-1002	12V DC	1/8	.09	8
22D1180-202-1005	24V DC	1/8	.09	4					
22D1180-205-1002	12V DC	1/8	.09	8					