



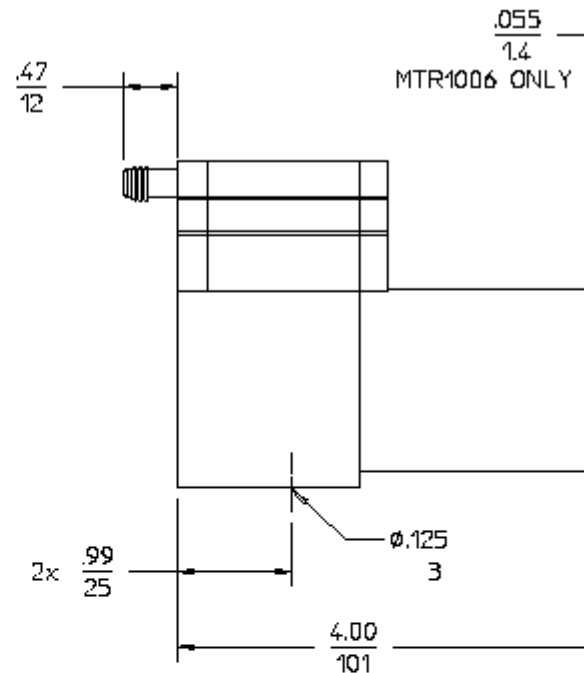
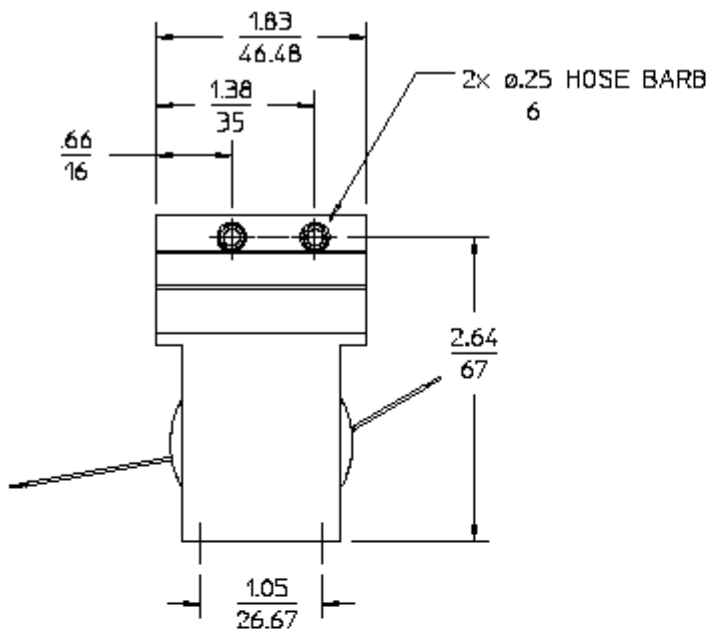
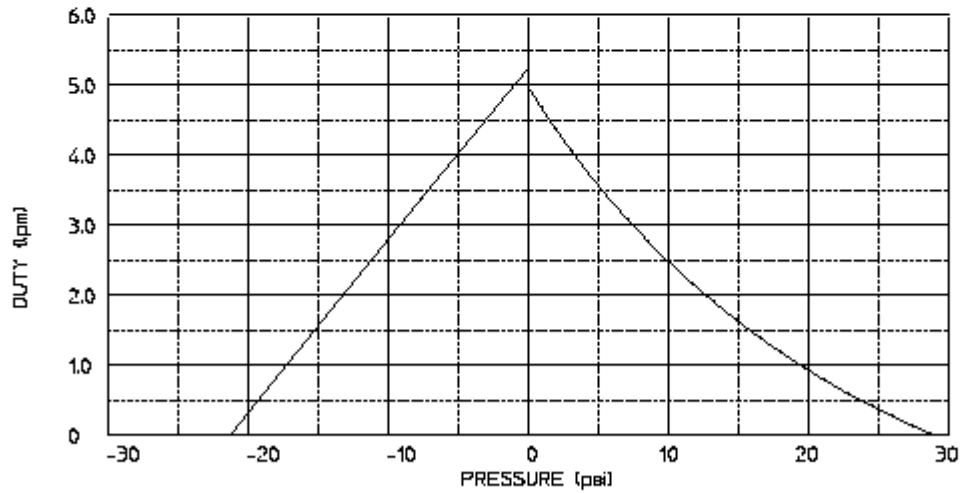
Post Office Box 97
Benton Harbor, Michigan
Ph: 269/926-6171
Fax: 269/925-8288

PART NUMBER: VTD001

R

NORMAL OPERATING RPM: 3400
SOUND LEVEL: LESS THAN 70 dBA
NORMAL AMBIENT MIN: 0 C
NORMAL AMBIENT MAX: 40 C
RELATIVE HUMIDITY MIN: 10%
RELATIVE HUMIDITY MAX: 95%

COMMENT: THIS PUMP MUST BE INSTALLED
INSIDE AN ENCLOSURE
ENVIRONMENT: CLEAN DUST FREE
LINE VOLTAGE: VARIABLE, SEE INDIVIDUAL MODEL
INLET AIR DENSITY: 0.075 lbs./cu ft
TEMPERATURE: 23 C/73.4 F
ATM. PRESSURE: 29.92 In Hg/14.7 psi





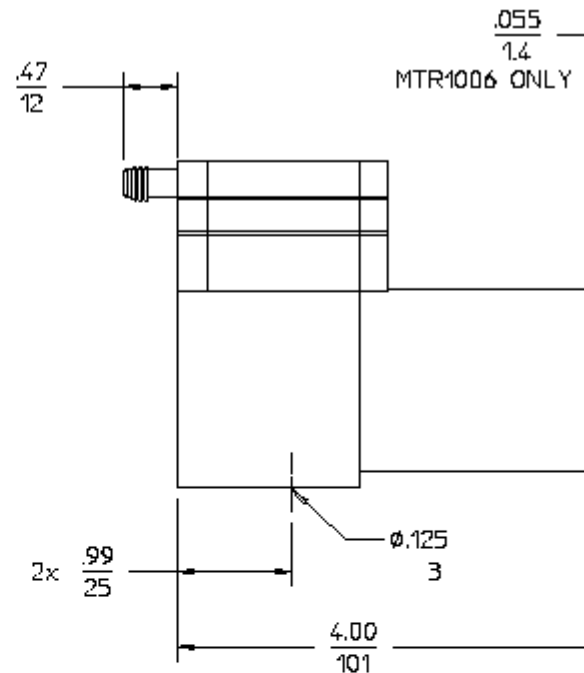
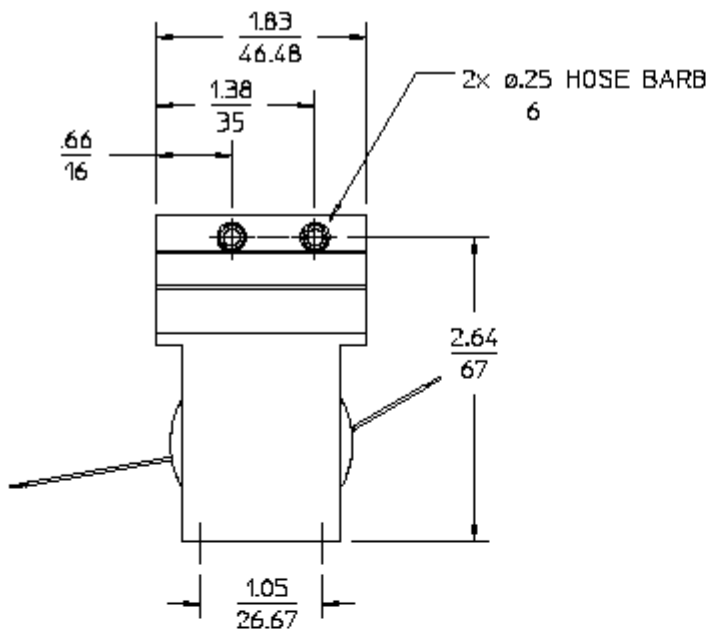
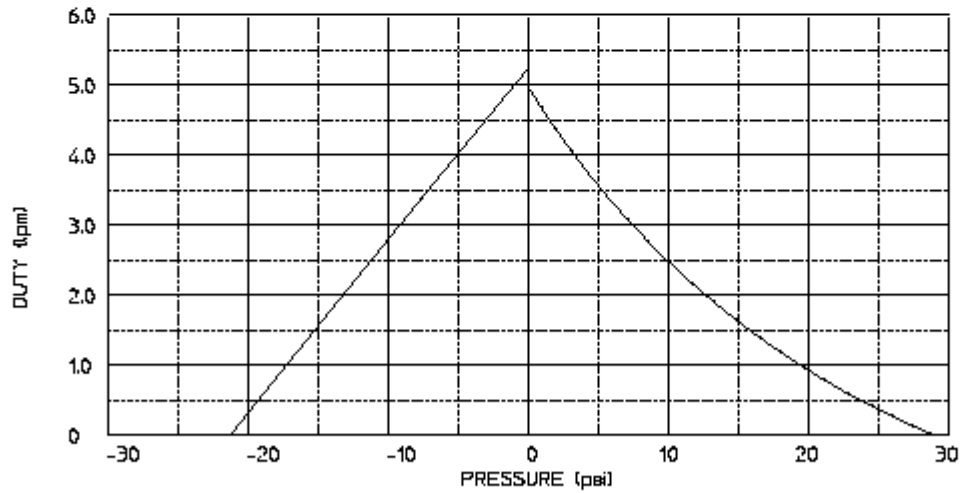
Post Office Box 97
Benton Harbor, Michigan
Ph: 269/926-6171
Fax: 269/925-8288

PART NUMBER: VTD001

R

NORMAL OPERATING RPM: 3400
SOUND LEVEL: LESS THAN 70 dBA
NORMAL AMBIENT MIN: 0 C
NORMAL AMBIENT MAX: 40 C
RELATIVE HUMIDITY MIN: 10%
RELATIVE HUMIDITY MAX: 95%

COMMENT: THIS PUMP MUST BE INSTALLED
INSIDE AN ENCLOSURE
ENVIRONMENT: CLEAN DUST FREE
LINE VOLTAGE: VARIABLE, SEE INDIVIDUAL MODEL
INLET AIR DENSITY: 0.075 lbs./cu ft
TEMPERATURE: 23 C/73.4 F
ATM. PRESSURE: 29.92 In Hg/14.7 psi



GAST

A UNIT OF IDEX CORPORATION
BENTON HARBOR, MI U.S.A.

PART NUMBER: VTD218

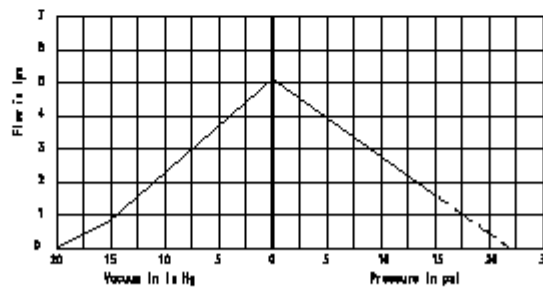
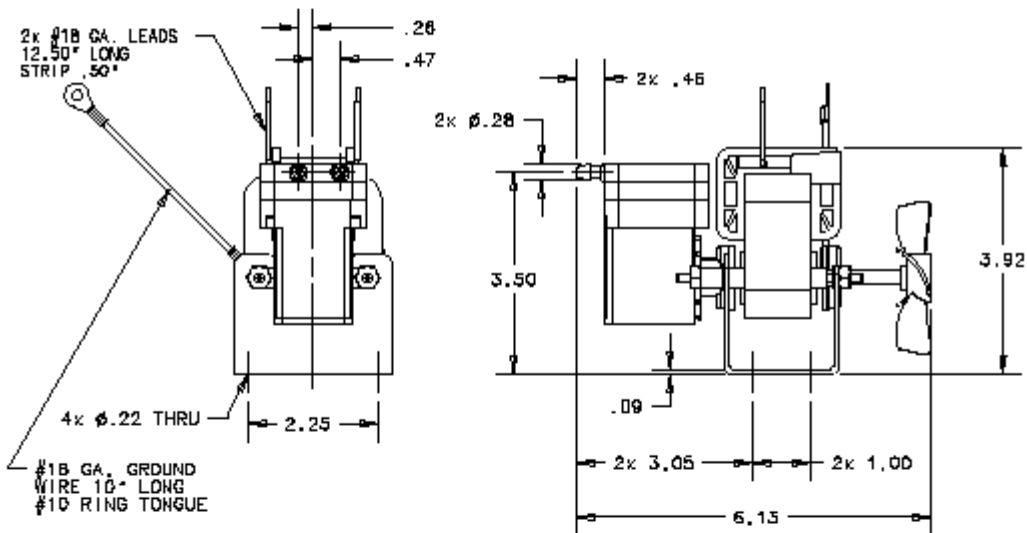
REV. A

MODEL NUMBER:
15D1150-101-1021

DATE
7-28-11

PRODUCT SPECIFICATION

| | | | | | | |
|--|--------|----|-------|--------|---------------|--------------------------|
| | | | | | MOTOR | 240V |
| 5500 | <70dBa | °C | 10-95 | 1.14kg | FREQUENCY | 50 HZ. |
| NOTES: 1. ALL DIMENSIONS ARE FOR REFERENCE USE ONLY. 2. PRODUCT DIMENSIONS: U.S. IMPERIAL (Inches). 3. PRODUCT PERFORMANCE MAY VARY ± 10% FROM PRODUCT PERFORMANCE CURVES. 4. *TEST CONDITIONS | | | | | MAX AMP DRAW | 1.35 |
| | | | | | MATERIAL | EPDM DIAPHRAGM AND VALVE |
| | | | | | ENVIRONMENT | CLEAN DUST FREE |
| | | | | | *TEMPERATURE | 23°C/73.4°F |
| | | | | | *ATM PRESSURE | 29.92 In Hg/14.7psi |



GAST

A UNIT OF IDEX CORPORATION
BENTON HARBOR, MI U.S.A.

PART NUMBER: VTD222

REV. A

MODEL NUMBER:
15D1150-102-1012

DATE
7-28-11

PRODUCT SPECIFICATION

| | | | | | | |
|---|--------|----|-------|--------|----------------------|--------------------------|
| | | | | | MOTOR | 120V |
| 5500 | <70dBa | *C | 10-95 | 1.14kg | FREQUENCY | 60 HZ. |
| NOTES: 1. ALL DIMENSIONS ARE FOR REFERENCE USE ONLY. 2. PRODUCT DIMENSIONS: U.S. IMPERIAL (inches). 3. PRODUCT PERFORMANCE MAY VARY ± 10% FROM PRODUCT PERFORMANCE CURVES. 4. *TEST CONDITIONS | | | | | MAX AMP DRAW | 1.55 |
| | | | | | MATERIAL | EPDM DIAPHRAGM AND VALVE |
| | | | | | ENVIRONMENT | CLEAN DUST FREE |
| | | | | | *TEMPERATURE | 23°C/73.4°F |
| | | | | | *ATM PRESSURE | 29.92 In Hg/14.7psf |

