

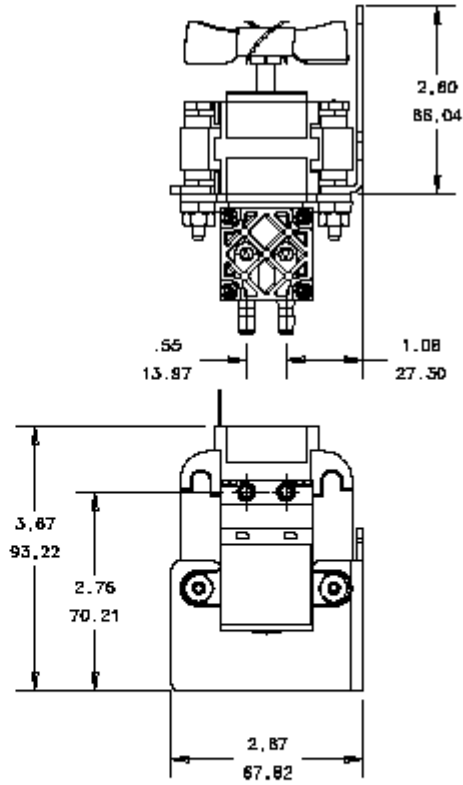
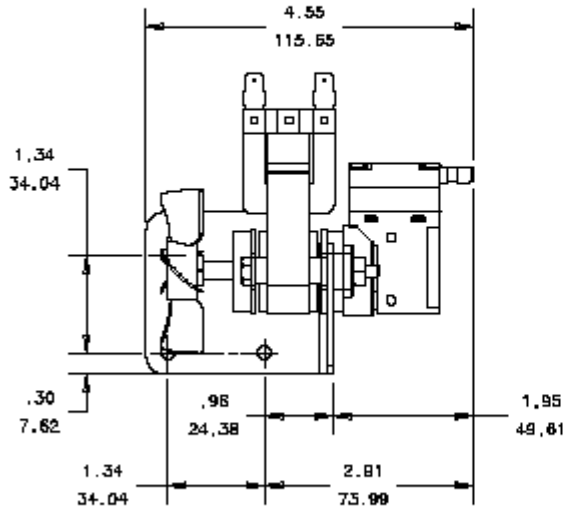
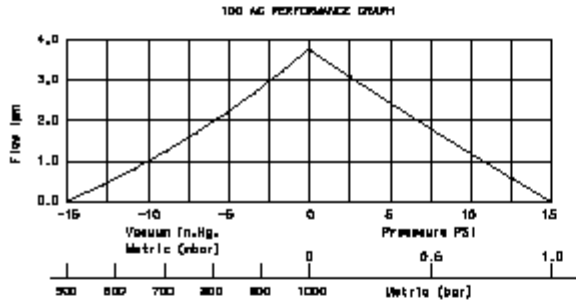
GAST

A UNIT OF IDEX CORPORATION
BENTON HARBOR, MI U.S.A.



PRODUCT SPECIFICATION					10-11-06	10D1110-101-1043																								
					DATE	MODEL NUMBER																								
					10-11-06	VTD172																								
					DATE	PART NUMBER																								
<table border="1"> <tr> <td>MOTOR</td> <td>115V</td> <td>REVISION</td> </tr> <tr> <td>FREQUENCY</td> <td>60 Hz.</td> <td>A</td> </tr> <tr> <td>MAX AMP DRAW</td> <td>0.6</td> <td></td> </tr> <tr> <td>MATERIAL</td> <td>EPDM VALVE AND DIAPHRAGM</td> <td></td> </tr> <tr> <td>ENVIRONMENT</td> <td>CLEAN DUST FREE</td> <td></td> </tr> <tr> <td>*TEMPERATURE</td> <td>23°C/73.4°F</td> <td></td> </tr> <tr> <td>*ATM PRESSURE</td> <td>29.92 In. Hg./14.7 psi</td> <td></td> </tr> <tr> <td>* INLET AIR DENSITY</td> <td>0.075 lbs./cu ft.</td> <td></td> </tr> </table>					MOTOR	115V	REVISION	FREQUENCY	60 Hz.	A	MAX AMP DRAW	0.6		MATERIAL	EPDM VALVE AND DIAPHRAGM		ENVIRONMENT	CLEAN DUST FREE		*TEMPERATURE	23°C/73.4°F		*ATM PRESSURE	29.92 In. Hg./14.7 psi		* INLET AIR DENSITY	0.075 lbs./cu ft.			
					MOTOR	115V	REVISION																							
FREQUENCY	60 Hz.	A																												
MAX AMP DRAW	0.6																													
MATERIAL	EPDM VALVE AND DIAPHRAGM																													
ENVIRONMENT	CLEAN DUST FREE																													
*TEMPERATURE	23°C/73.4°F																													
*ATM PRESSURE	29.92 In. Hg./14.7 psi																													
* INLET AIR DENSITY	0.075 lbs./cu ft.																													
3400	<70 dBa	0°C - 40°C	10-95	0.83 Kg.																										

NOTES:
1. ALL DIMENSIONS ARE FOR REFERENCE ONLY.
2. PRODUCT DIMENSIONS: U.S. IMPERIAL (inches)
METRIC (mm)



PRODUCT PERFORMANCE MAY VARY ± 10% FROM PRODUCT PERFORMANCE CURVES.
TECHNICAL DATA SUBJECT TO CHANGE WITHOUT NOTICE.
*TEST CONDITIONS

GAST

A UNIT OF IDEX CORPORATION
BENTON HARBOR, MI U.S.A.



10D1125-101-1052

MODEL NUMBER

VTD018

04-07-00

DATE

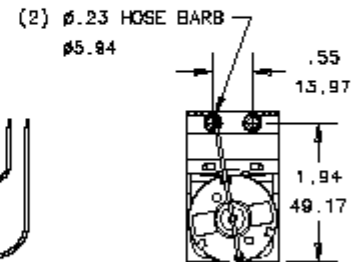
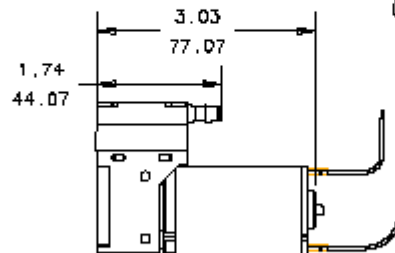
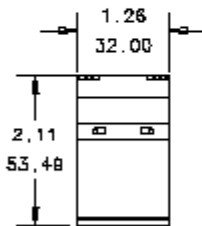
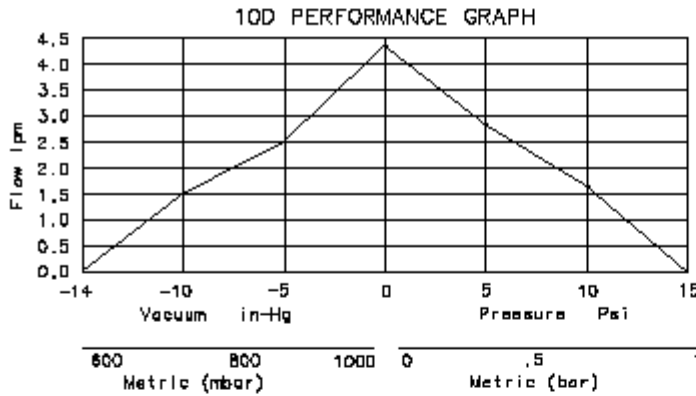
PART NUMBER

PRODUCT SPECIFICATION

3400	<70dBa	*C	10-95	0.23 Kg

MOTOR	12V	REVISION
FREQUENCY	N/A	E
MAX AMP DRAW	0.3	
MATERIAL	EPDM DIAPHRAGM AND VALVE	
ENVIRONMENT	CLEAN DUST FREE	
*TEMPERATURE	23°C/73.4°F	
*ATM PRESSURE	29.921inHg/14.7psf	
*INLET AIR DENSITY	0.075 lbs/cu ft	

NOTES:
1. ALL DIMENSIONS ARE FOR REFERENCE ONLY.
2. PRODUCT DIMENSION: U.S. IMPERIAL (Inches)
METRIC (mm)



PRODUCT PERFORMANCE MAY VARY $\pm 10\%$ FROM PRODUCT PERFORMANCE CURVES.
TECHNICAL DATA SUBJECT TO CHANGE WITHOUT NOTICE.
*TEST CONDITIONS

GAST

A UNIT OF IDEX CORPORATION
BENTON HARBOR, MI U.S.A.



10D1125-101-1053

MODEL NUMBER

VTD032

5-8-00

DATE

PART NUMBER

PRODUCT SPECIFICATION

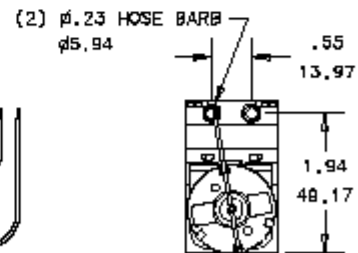
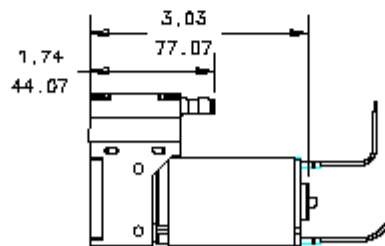
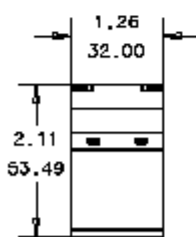
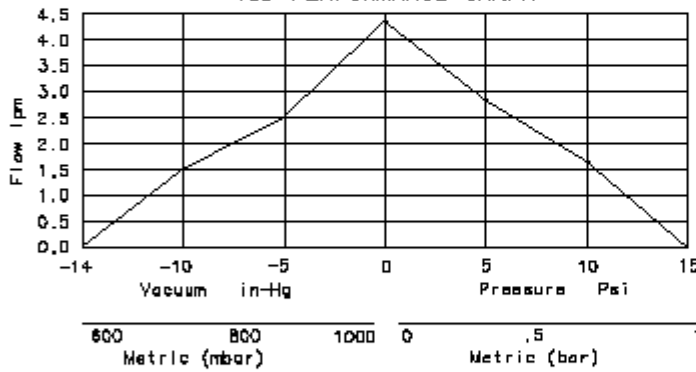
3400	<70dBa	0°C-40°C	10-95	0.23 Kg

MOTOR	24V	REVISION
FREQUENCY	N/A	D
MAX AMP DRAW	.3	CHANGE NUMBER
MATERIAL	EPDM DIAPHRAGM AND VALVE	1402022 97634
ENVIRONMENT	CLEAN DUST FREE	
*TEMPERATURE	23°C/73.4°F	
*ATM PRESSURE	29.921inHg/14.7psf	
INLET AIR DENSITY	.075 lbs/cu ft	

NOTES:

1. ALL DIMENSIONS ARE FOR REFERENCE ONLY.
2. PRODUCT DIMENSION: U.S. IMPERIAL (Inches)
METRIC (mm)

10D PERFORMANCE GRAPH



PRODUCT PERFORMANCE MAY VARY $\pm 10\%$ FROM PRODUCT PERFORMANCE CURVES.
TECHNICAL DATA SUBJECT TO CHANGE WITHOUT NOTICE.
*TEST CONDITIONS