

Specification/Specification/Especificacion/Specifikation

Model/Modelo/Modelo/Modell

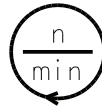
GAST
A UNIT OF IDEX CORPORATION

PART NO.: VTD128

REV.: B

Ref	V	A	W	Hz
DDL60-101	120	1.52	63	60

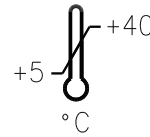
Performance/Rendimiento/Prestanda



N/A



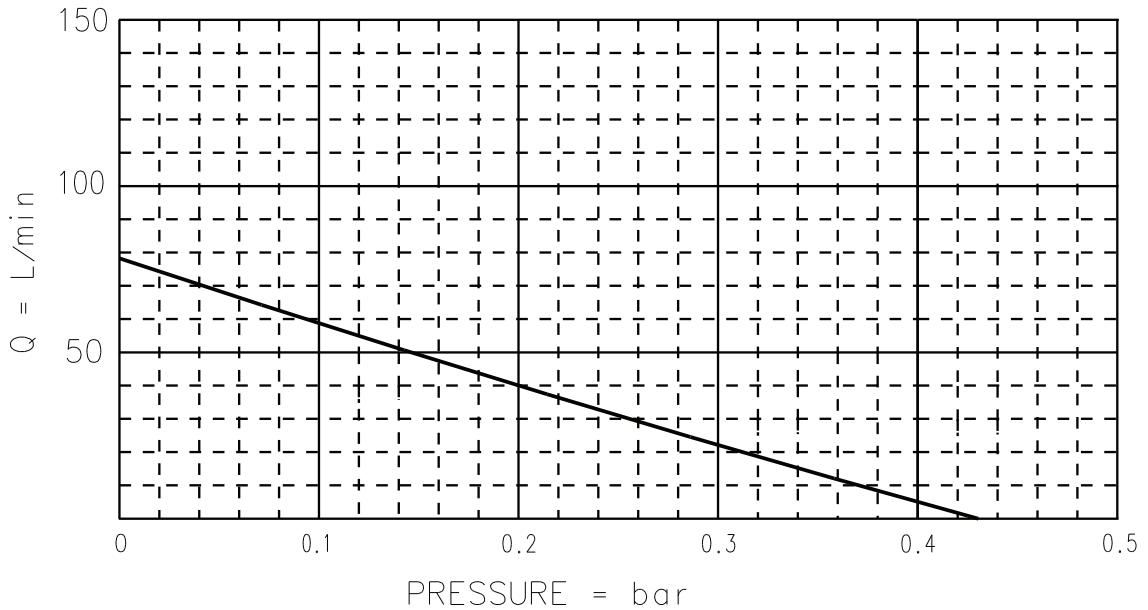
<50 dBA



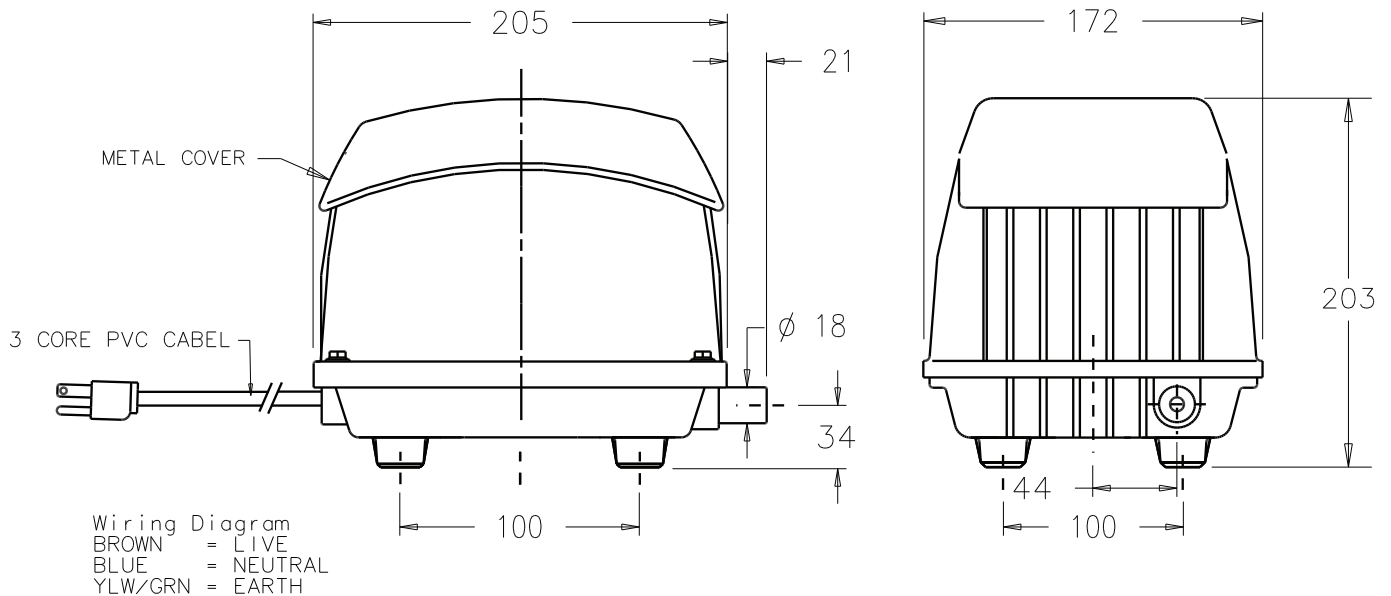
20-80



6.3 kg



Dimensions/Dimensioner (mm)



NOTE: TECHNICAL DATA SUBJECT TO CHANGE WITHOUT NOTICE.