

Specification/Specification/Especificacion/Specifikasjon

Model/Modelo/Modello

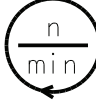

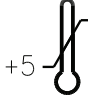


GAST

A UNIT OF IDEX CORPORATION

PART NO.: VTD124

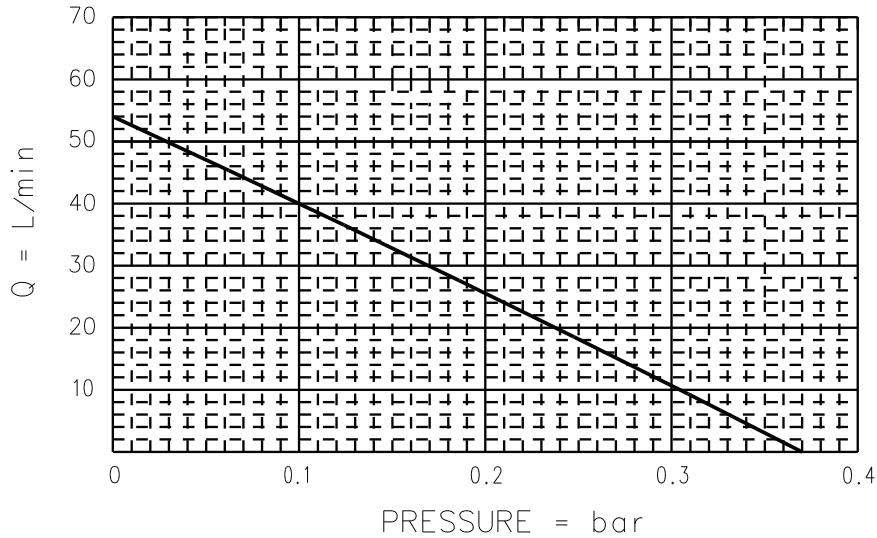
REV.: B

Ref	V	A	W	Hz
DDL30-101	120	.9	36	60

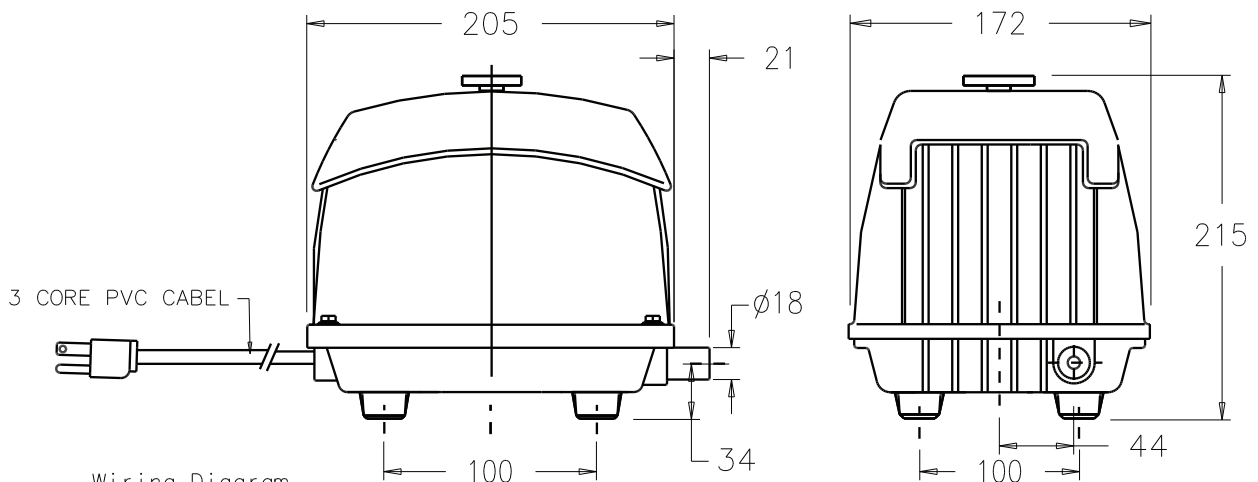






N/A <40 dBA +5 °C +40 % 20-80 5.4 kg

Performance/Rendimiento/Prestanda



Dimensions/Dimensioner (mm)



Wiring Diagram
 BROWN = LIVE
 BLUE = NEUTRAL
 YLW/GRN = EARTH

NOTE: TECHNICAL DATA SUBJECT TO CHANGE WITHOUT NOTICE.

Specification/Specification/Especificacion/Specifikation

Model/Modelo/Modelo/Modell

GAST
A UNIT OF IDEX CORPORATION

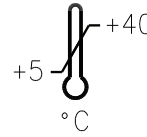
PART NO.: VTD116

REV.: F

Ref	V	A	W	Hz
DDL30B-101	120	.93	36	60



<40 dBA

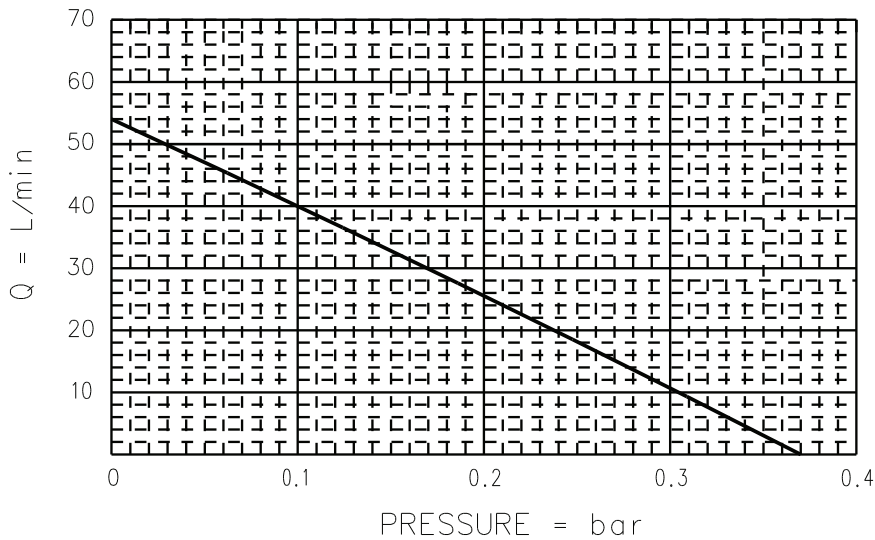


20-80

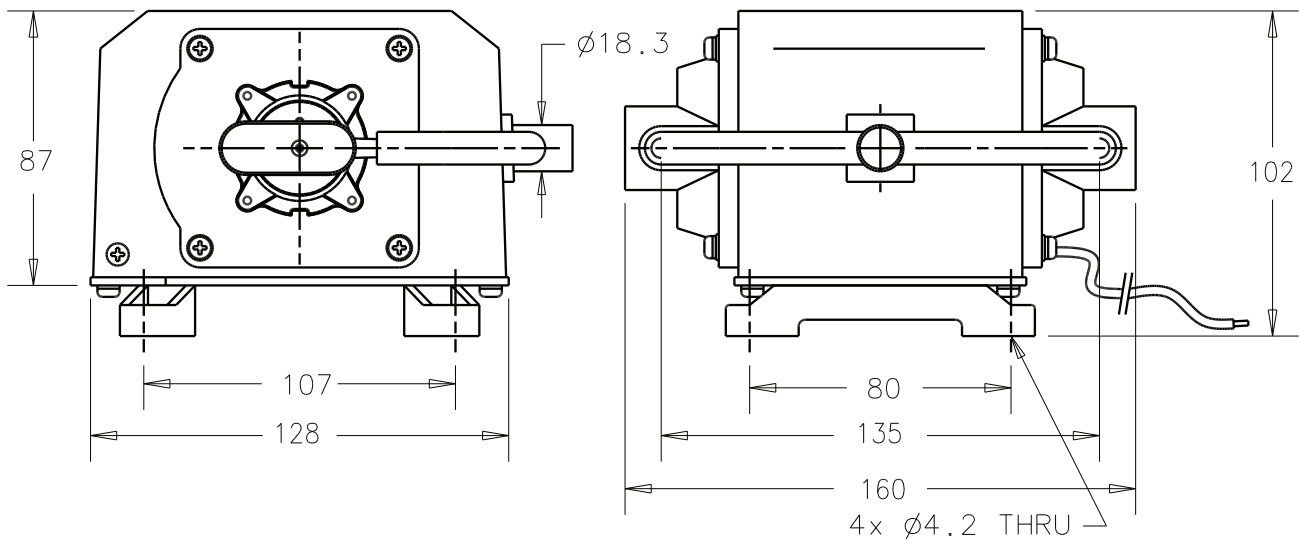


2.9 kg

Performance/Rendimiento/Prestanda



Dimensions/Dimensioner (mm)



NOTE: TECHNICAL DATA SUBJECT TO CHANGE WITHOUT NOTICE.

Specification/Specification/Especificacion/Specifikation

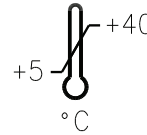
Model/Modelo/Modelo/Modell

GAST
A UNIT OF IDEX CORPORATION

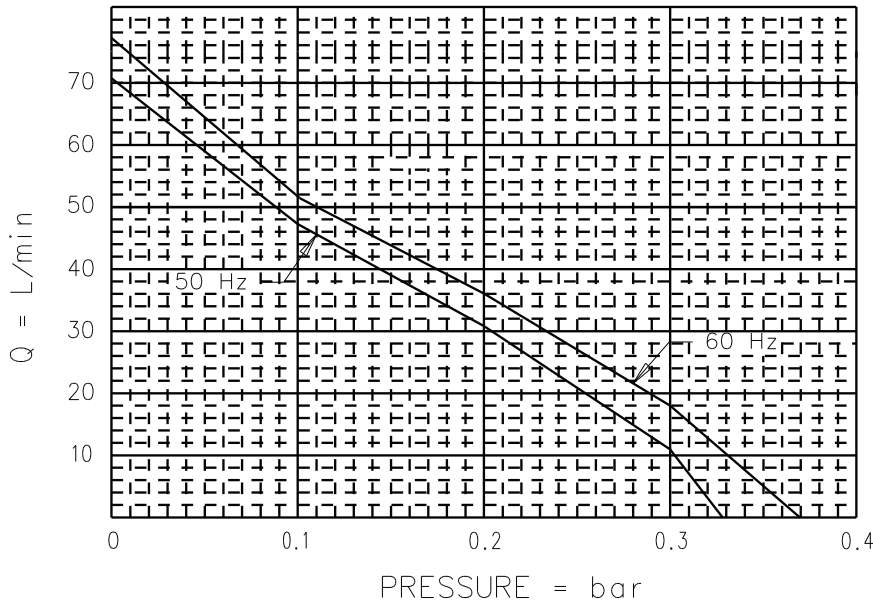
PART NO.: VTD117

REV.: E

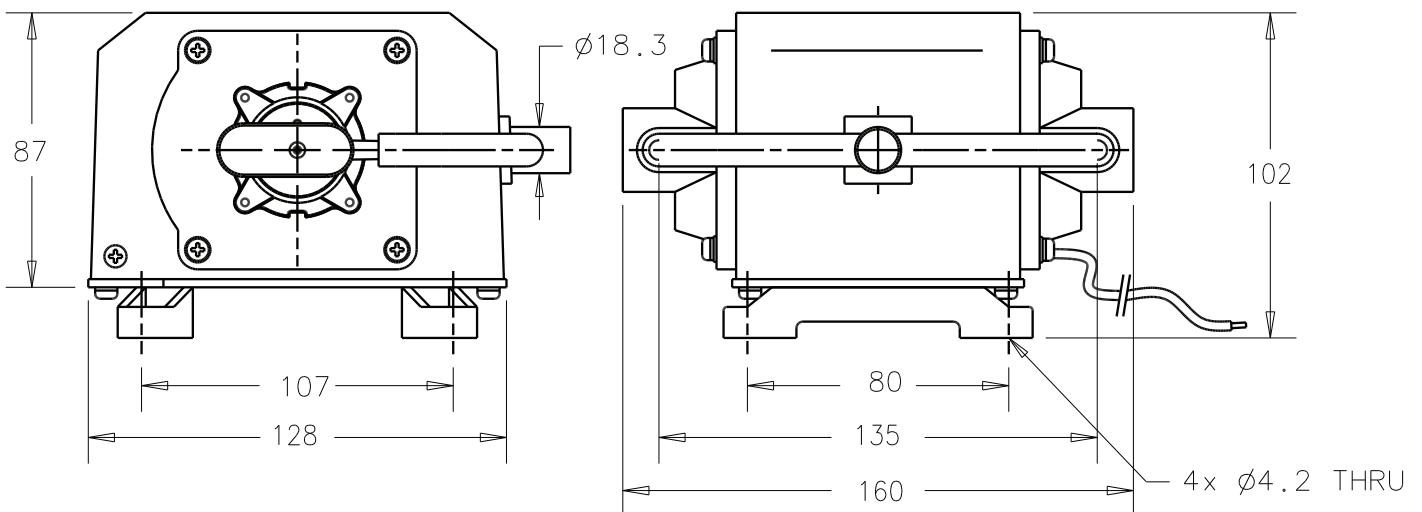
Ref	V	A	W	Hz
DDL30B-501	230	0.40	30	60
DDL30B-804	230	0.40	30	50



Performance/Rendimiento/Prestanda <45 dBA 20-80 2.9 kg



Dimensions/Dimensioner (mm)



NOTE: TECHNICAL DATA SUBJECT TO CHANGE WITHOUT NOTICE.

Specification/Specification/Especificacion/Specifikasjon

Model/Modelo/Modelo/Modell

GAST
A UNIT OF IDEX CORPORATION

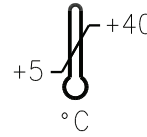
PART NO.: VTD144

REV.: B

Ref	V	A	W	Hz
DDL30BS-101	120	.9	43	60
DDL30BS-101	100-110	.8	45	50
DDL30BS-804	230	.4/.45	45	50/60



<55 dBA



+5 °C

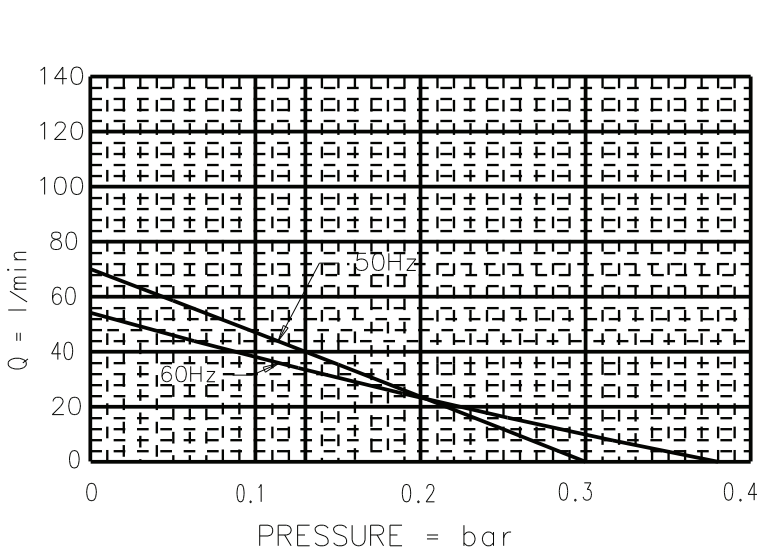


20-80

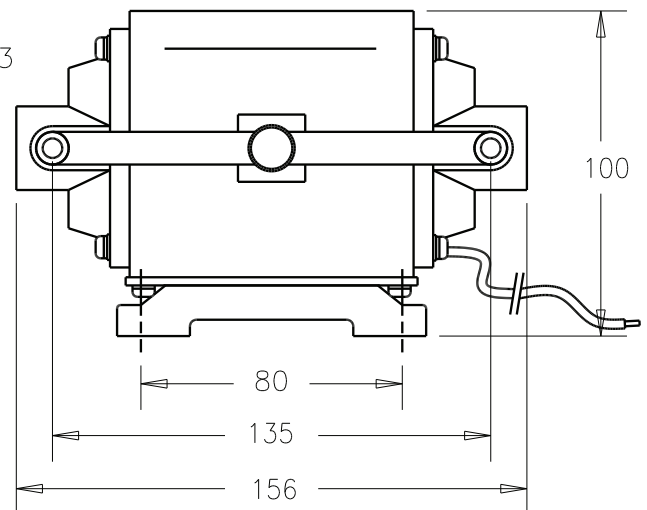
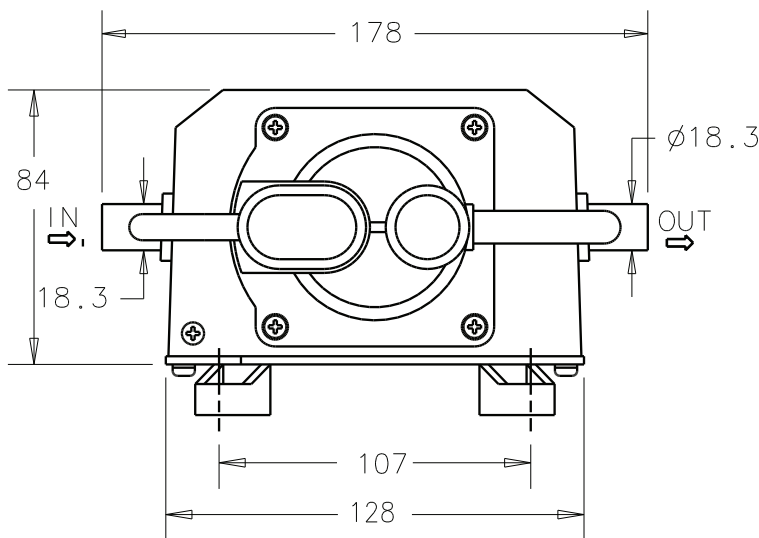
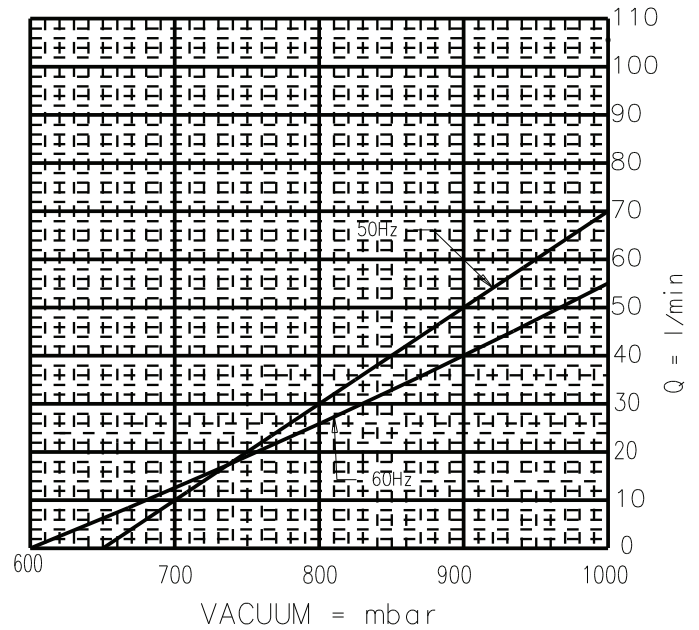


3.0 kg

Performance/Rendimiento/Prestanda



Dimensions/Dimensioner (mm)



NOTE: TECHNICAL DATA SUBJECT TO CHANGE WITHOUT NOTICE.

Gast Manufacturing Co Ltd. A Unit of IDEX Corporation, Beech House, Knaves Beech Business Centre, Loudwater, High Wycombe, Bucks, HP10 9SD. England. +44-(0)1628 Tel: 551500 Fax: 551590
Gast Manufacturing Co. A Unit of IDEX Corporation, post office box 97 Benton Harbor, Michigan USA phone: (269) 926-6171 fax: (269) 925-8288