



Post Office Box 97
Benton Harbor, Michigan
Ph: 269/926-6171
Fax: 269/925-8288

Product Specifications

PART NUMBER: STD134
REVISION: K

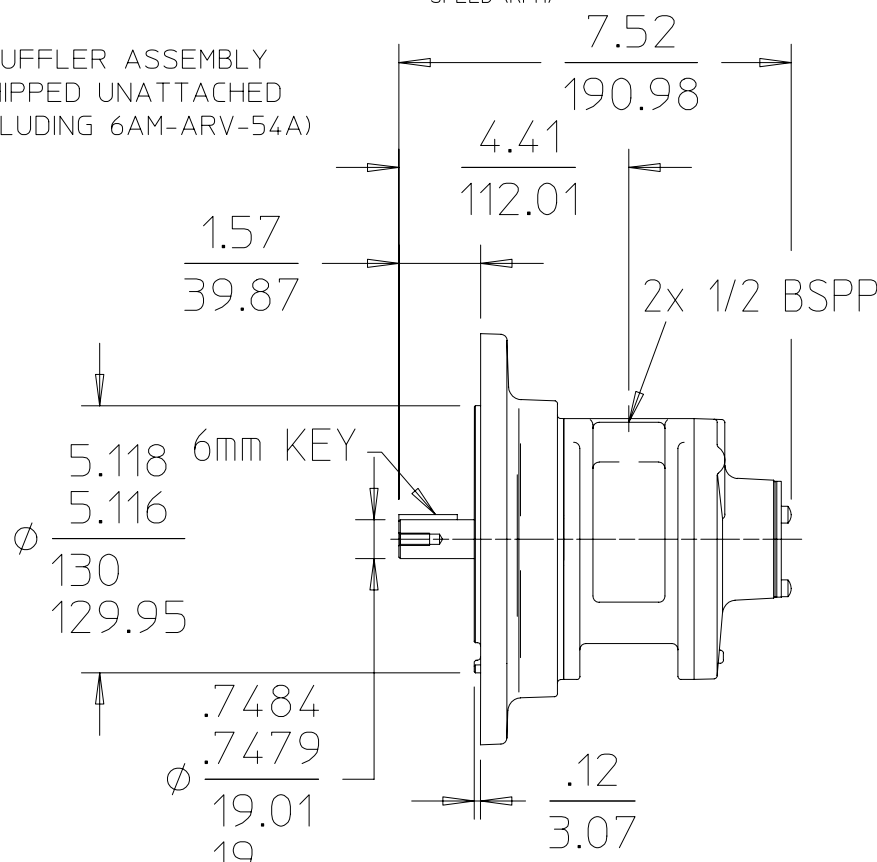
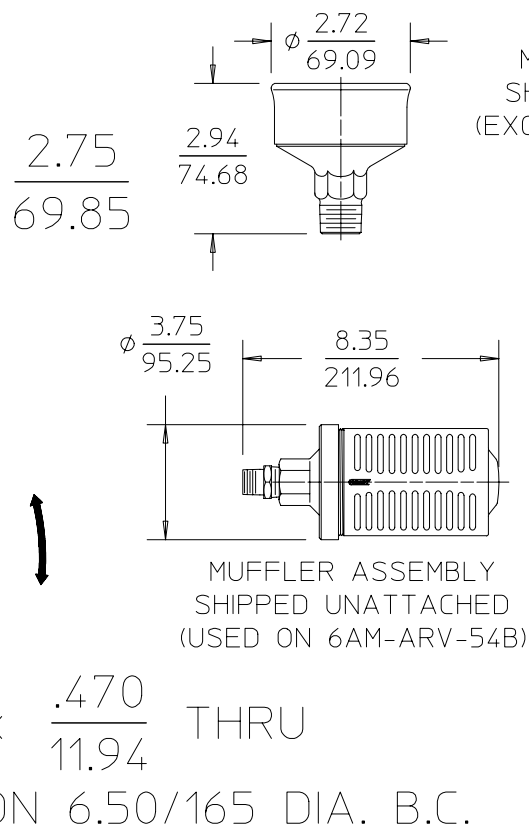
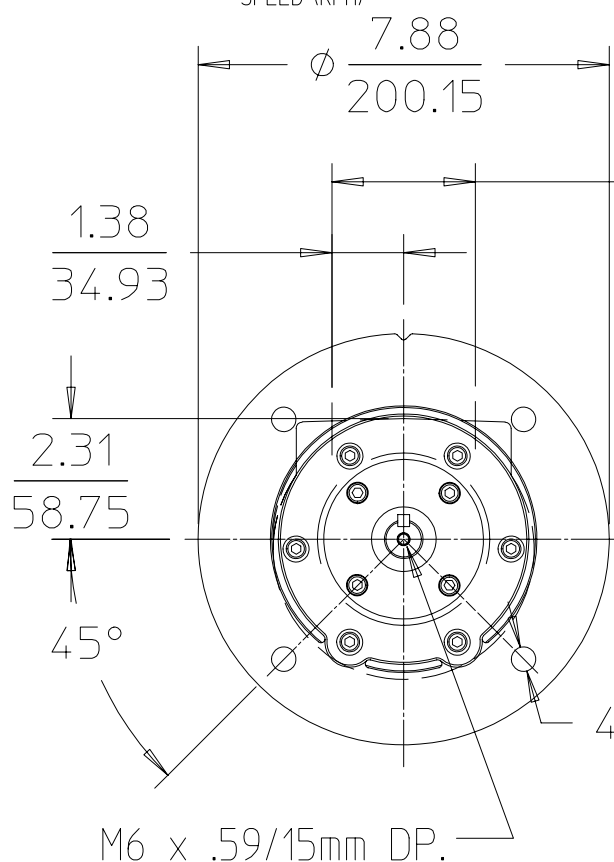
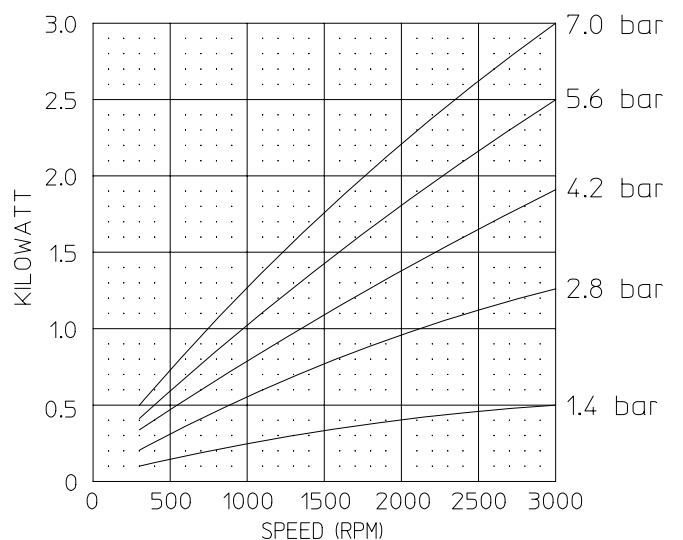
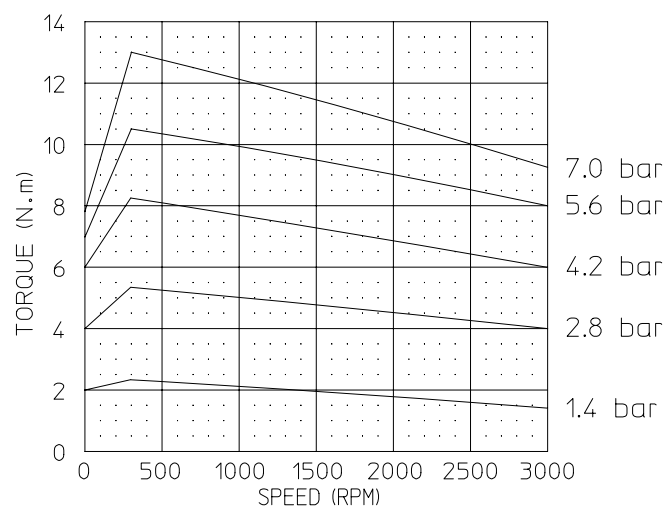
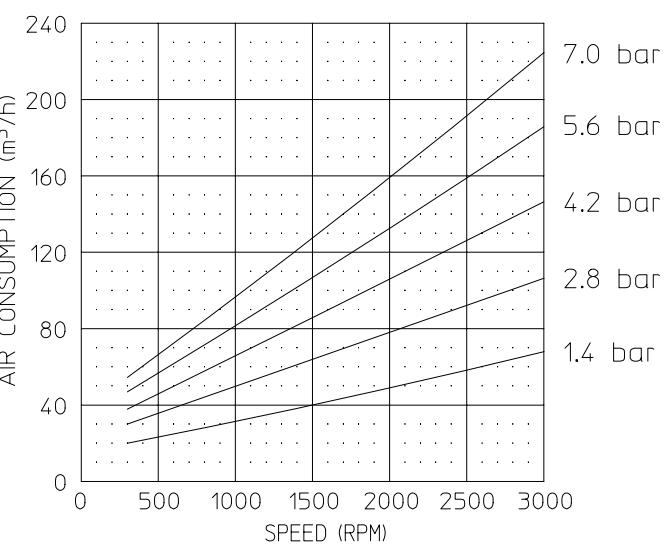
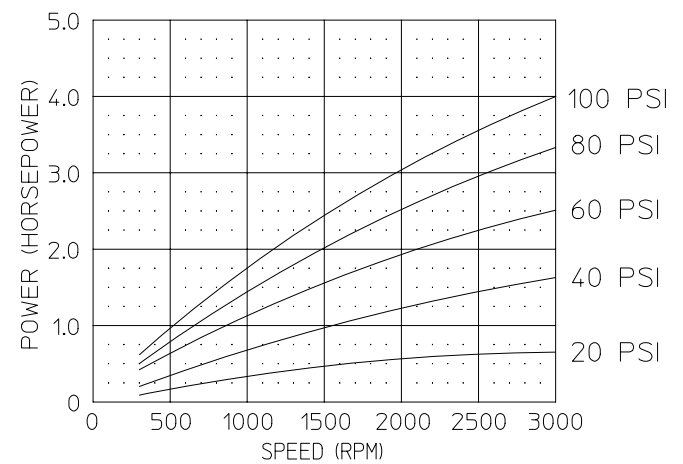
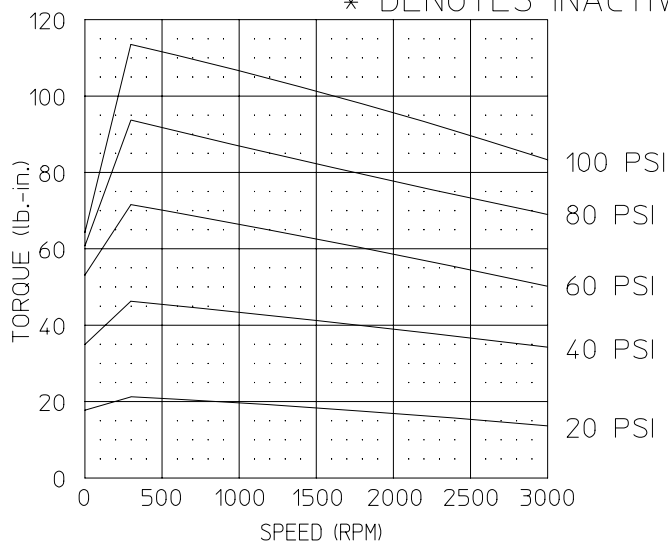
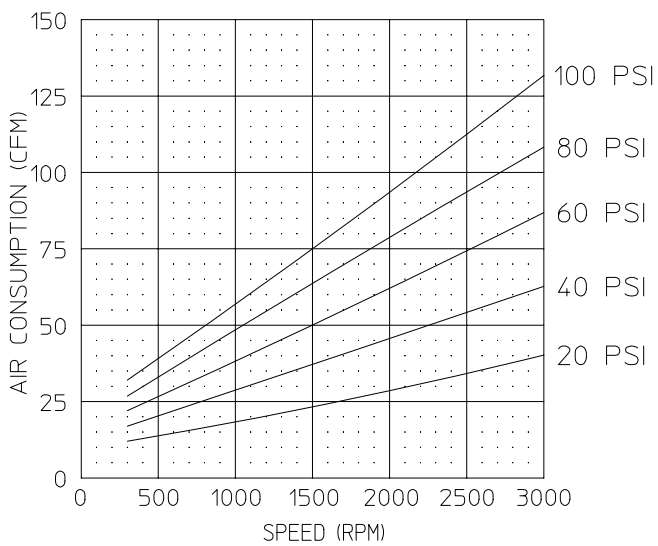
Model Number	MAX. PRESS.		MAX. SPEED	HP	kW	Net Wt.	
	bar.	PSI				lbs.	kg
6AM-ARV-54	7.0	100	3,000 RPM	4.0	3.0	21	9.5
* 6AM-ARV-54A	7.0	100	3,000 RPM	4.0	3.0	21	9.5
* 6AM-ARV-54B	7.0	100	3,000 RPM	4.0	3.0	21	9.5
6AM-ARV-55	7.0	100	3,000 RPM	4.0	3.0	21	9.5
* 6AM-ARV-77	7.0	100	3,000 RPM	4.0	3.0	21	9.5

SOUND LEVEL 90 dB(A) MAX.
 NORMAL AMBIENT +1° C. - 120° C.
 RELATIVE HUMIDITY 0% - 100%
 ENVIRONMENT HAZARDOUS AMBIENT COMBUSTIBLE
GAS AND DUST +1°C TO +40°C

CONFORMS TO EUROPEAN STANDARD EN13463-1
NON-ELECTRICAL EQUIPMENT FOR EXPLOSIVE
ATMOSPHERES GROUP 11 CAT 2 (GAS & DUST),
PROTECTED BY CONSTRUCTION
(SURFACE TEMP. RATED 135C).

TECHNICAL DATA SUBJECT TO CHANGE WITHOUT NOTICE.
DIMENSIONS SHOWN ARE FOR REF. ONLY.

* DENOTES INACTIVE UNITS





Post Office Box 97
 Benton Harbor, Michigan
 Ph: 269/926-6171
 Fax: 269/925-8288

PART NUMBER: STD132
 REVISION: F

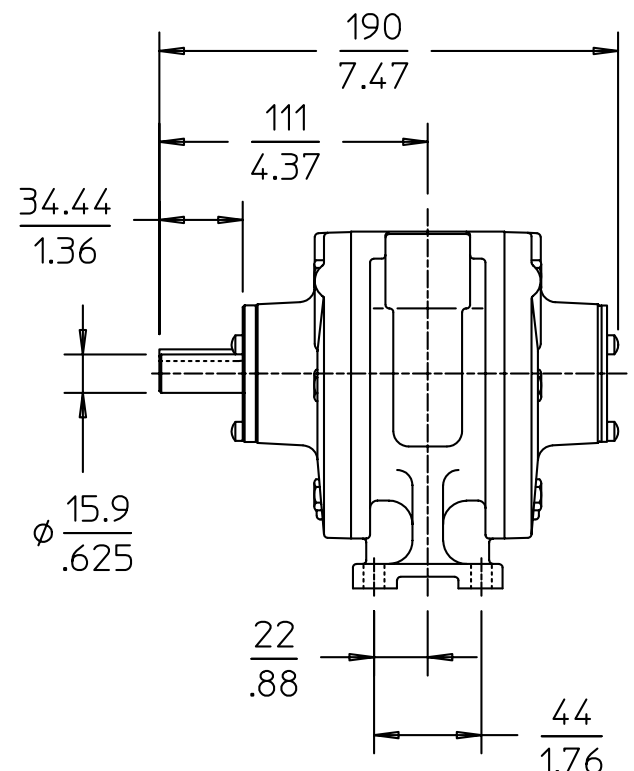
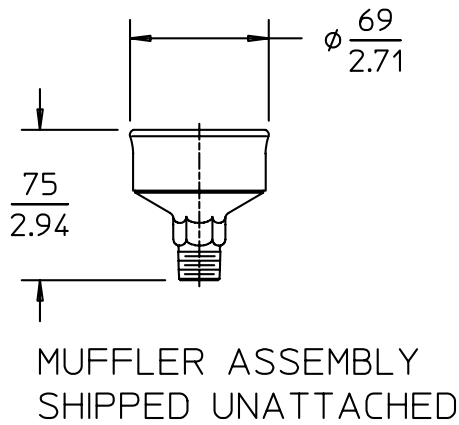
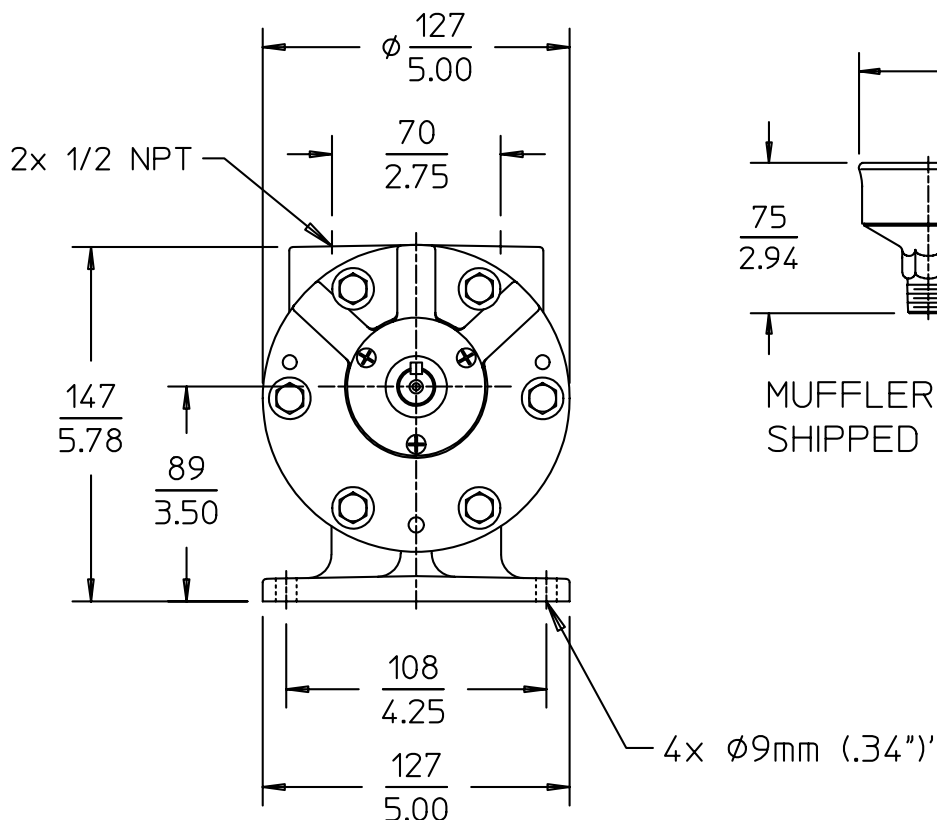
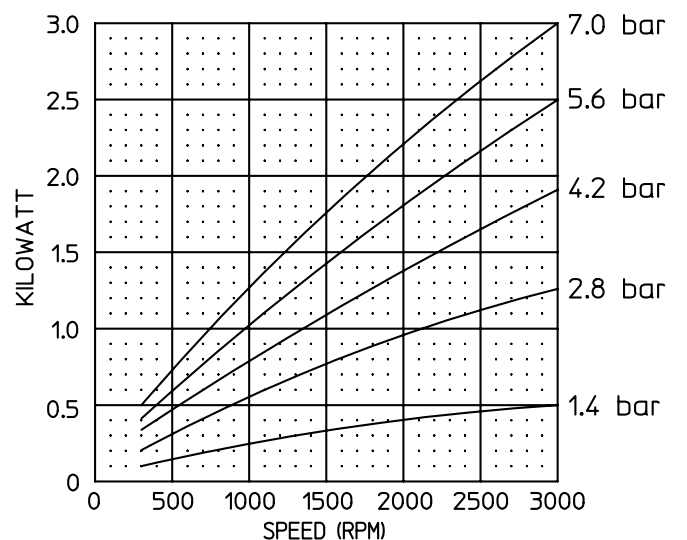
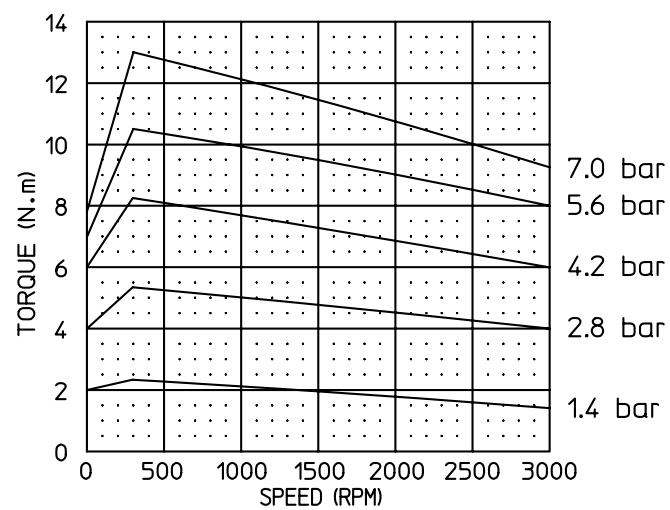
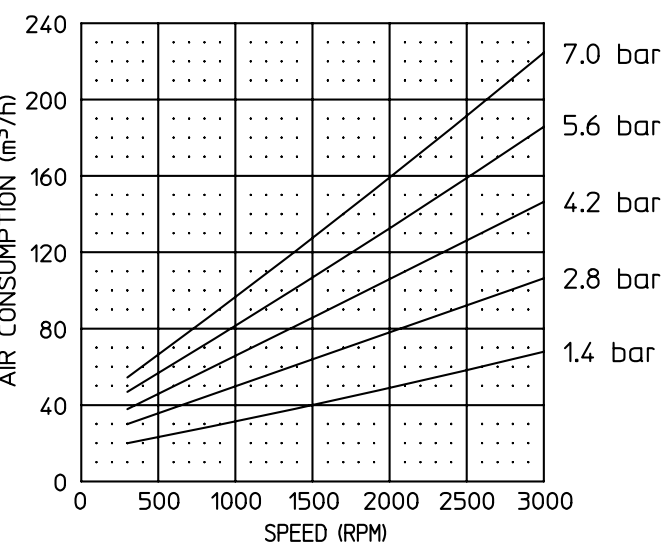
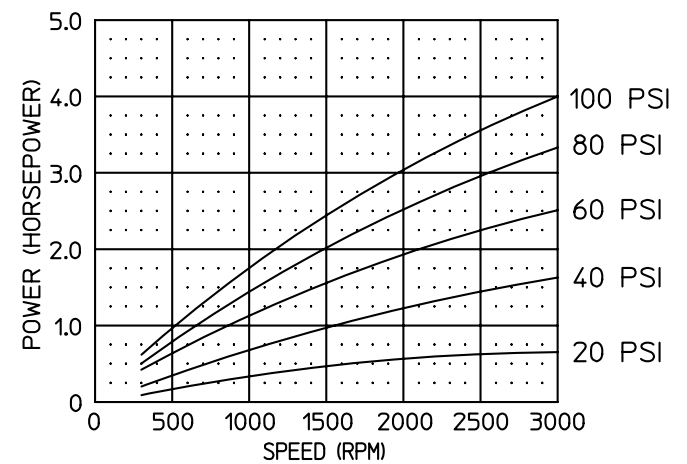
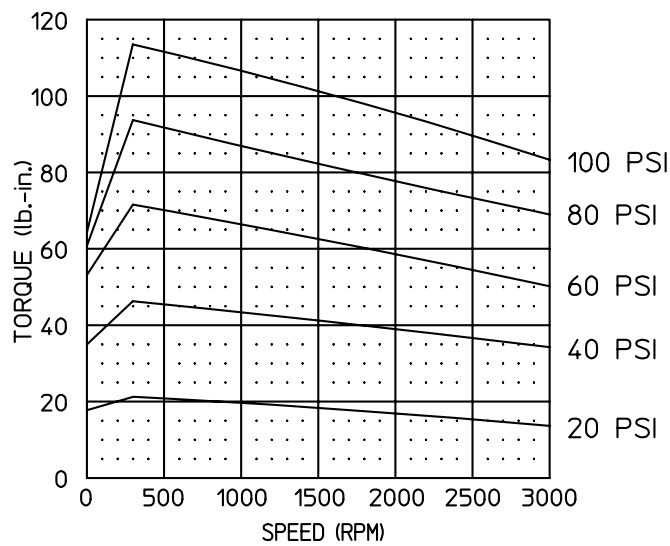
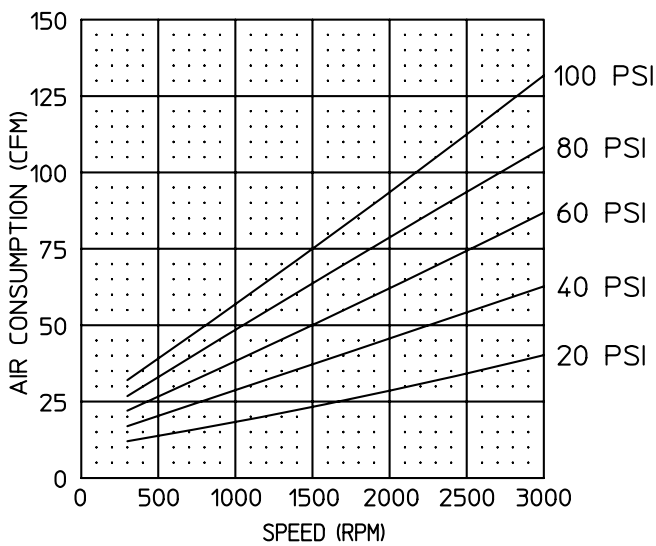
Product Specifications

Model Number	MAX. PRESS.		MAX. SPEED	HP	kW	Net Wt.	
	bar.	PSI				lbs.	kg
6AM-FRV-5A	7.0	100	3,000 RPM	4.0	3.0	21	9.5
6AM-FRV-23A	7.0	100	3,000 RPM	4.0	3.0	21	9.5

SOUND LEVEL 90 dba MAX.
 NORMAL AMBIENT +1° C. - 120° C.
 RELATIVE HUMIDITY 0% - 100%
 ENVIRONMENT HAZARDOUS AMBIENT COMBUSTIBLE
GAS AND DUST +1°C TO +40°C

CONFORMS TO EUROPEAN STANDARD EN13463-1
 NON-ELECTRICAL EQUIPMENT FOR EXPLOSIVE
 ATMOSPHERES GROUP 11 CAT 2 (GAS & DUST),
 PROTECTED BY CONSTRUCTION (SURFACE TEMP. RATED 135C).

* TECHNICAL DATA SUBJECT TO CHANGE
 WITHOUT NOTICE.





Post Office Box 97
 Benton Harbor, Michigan
 Ph: 269/926-6171
 Fax: 269/925-8288

PART NUMBER: STD133
 REVISION: J

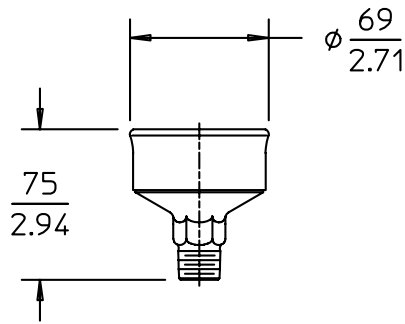
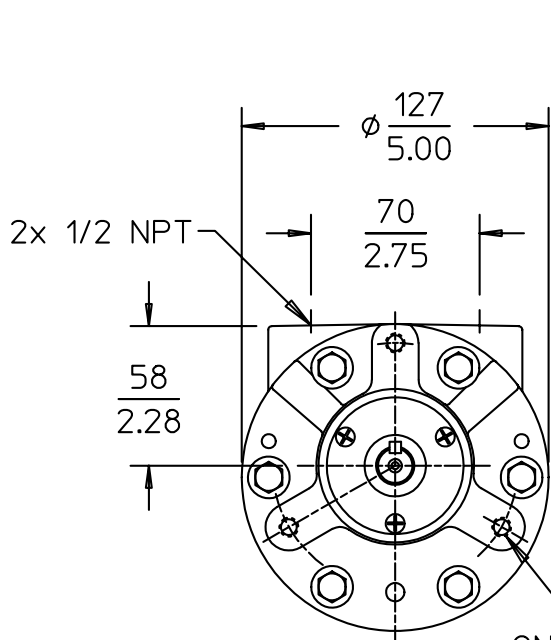
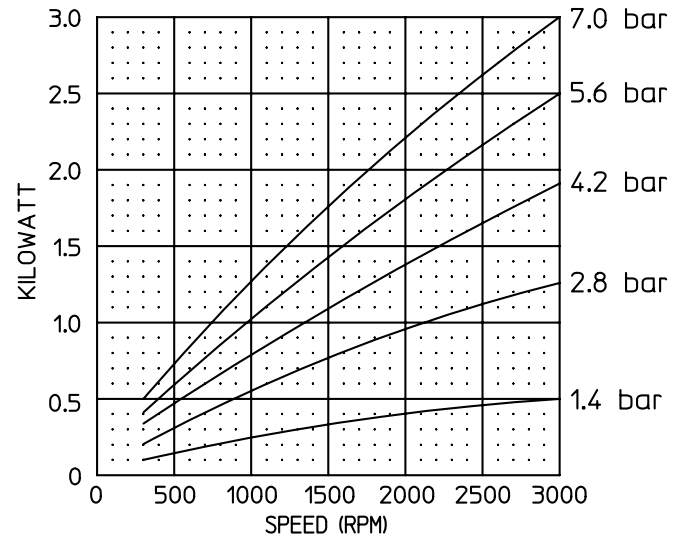
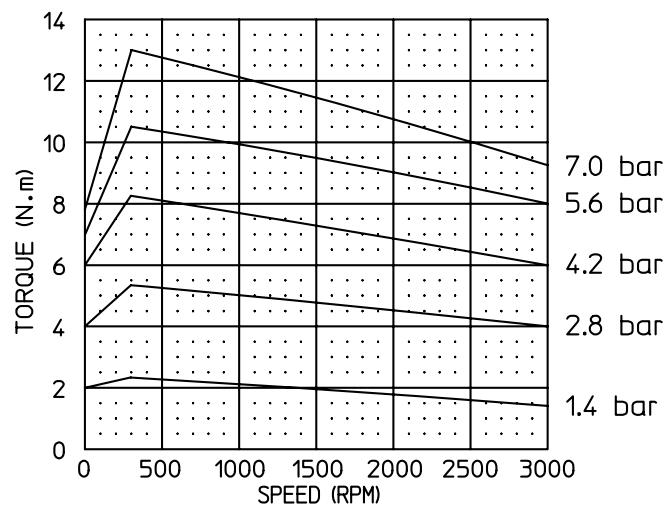
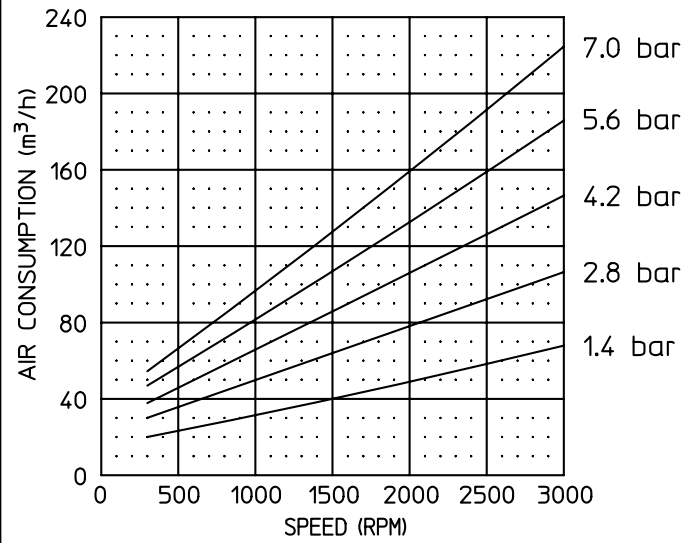
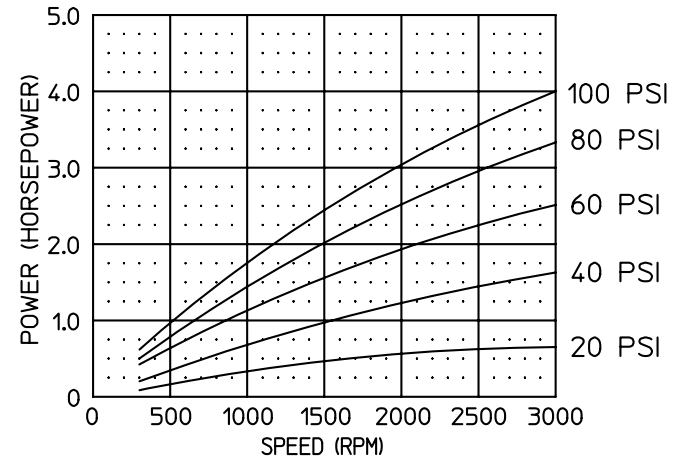
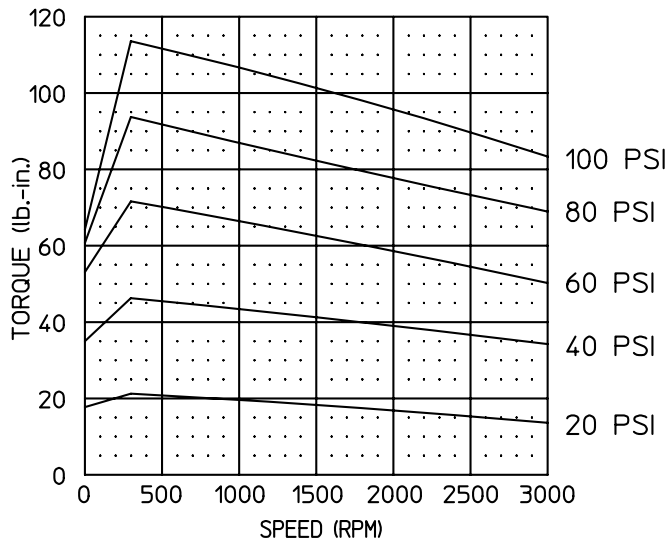
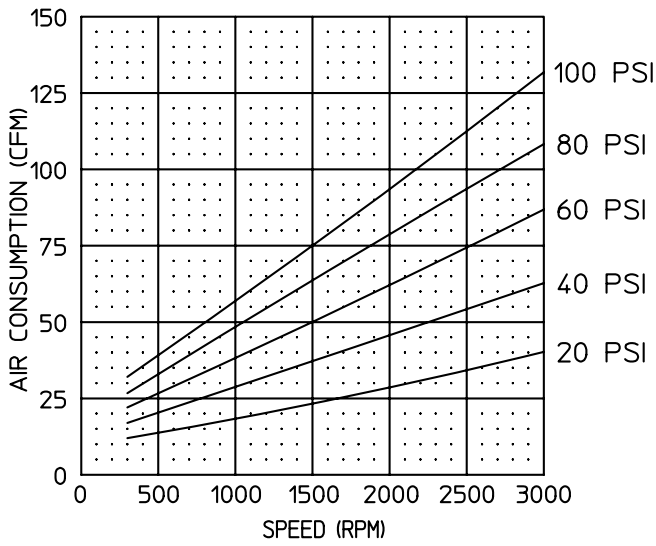
Product Specifications

Model Number	MAX. PRESS.		MAX. SPEED	HP	kW	Net Wt.	
	bar.	PSI				lbs.	kg
6AM-NRV-7A	7.0	100	3,000 RPM	4.0	3.0	21	9.5
6AM-NRV-7C	7.0	100	3,000 RPM	4.0	3.0	21	9.5
6AM-NRV-7D	7.0	100	3,000 RPM	4.0	3.0	21	9.5
6AM-NRV-7E	7.0	100	3,000 RPM	4.0	3.0	21	9.5
6AM-NRV-29A	7.0	100	3,000 RPM	4.0	3.0	21	9.5

SOUND LEVEL 90 dba MAX.
 NORMAL AMBIENT +1° C. - 120° C.
 RELATIVE HUMIDITY 0% - 100%
 ENVIRONMENT HAZARDOUS AMBIENT COMBUSTIBLE
GAS AND DUST +1°C TO +40°C

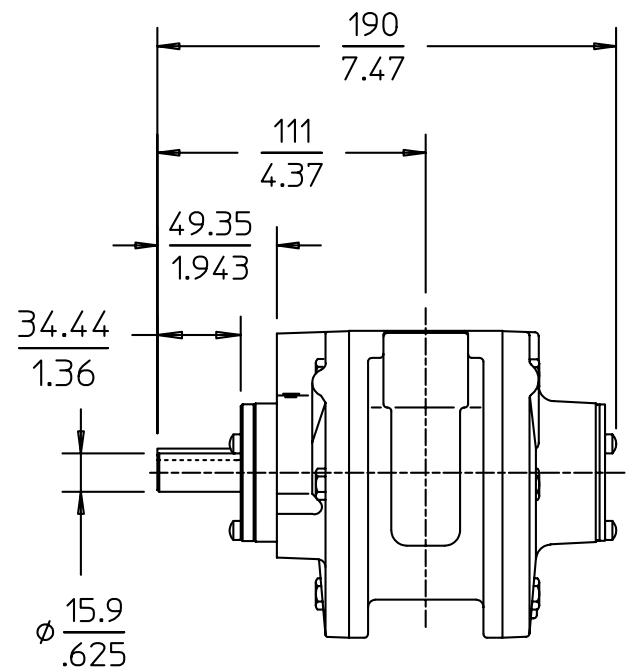
CONFORMS TO EUROPEAN STANDARD EN13463-1
 NON-ELECTRICAL EQUIPMENT FOR EXPLOSIVE
 ATMOSPHERES GROUP 11 CAT 2 (GAS & DUST),
 PROTECTED BY CONSTRUCTION (SURFACE TEMP. RATED 135C).

* TECHNICAL DATA SUBJECT TO CHANGE WITHOUT NOTICE



MUFFLER ASSEMBLY
 SHIPPED UNATTACHED
 6AM-NRV-7A AND
 6AM-NRV-29A ONLY

3x 5/16-18
 ON A 102mm (4.00")
 BOLT CIRCLE





Post Office Box 97
 Benton Harbor, Michigan
 Ph: 269/926-6171
 Fax: 269/925-8288

PART NUMBER: STD131
 REVISION: E

Product Specifications

Model Number	MAX. PRESS.		MAX. SPEED	HP	kW	Net Wt.	
	bar.	PSI				lbs.	kg
6AM-NRV-11	7.0	100	3,000 RPM	4.0	3.0	21	9.5
6AM-NRV-11A	7.0	100	3,000 RPM	4.0	3.0	21	9.5
6AM-NRV-22A	7.0	100	3,000 RPM	4.0	3.0	21	9.5

SOUND LEVEL 90 dB(A) MAX.

NORMAL AMBIENT +1° C. - 120° C.

RELATIVE HUMIDITY 0% - 100%

ENVIRONMENT HAZARDOUS AMBIENT COMBUSTIBLE
 GAS AND DUST +1°C TO +40°C

CONFORMS TO EUROPEAN STANDARD EN13463-1 NON-ELECTRICAL
 EQUIPMENT FOR EXPLOSIVE ATMOSPHERES GROUP II CAT 2
 (GAS & DUST), PROTECTED BY CONSTRUCTION (SURFACE TEMP RATED 135C)

* TECHNICAL DATA SUBJECT TO CHANGE WITHOUT NOTICE.

