



Post Office Box 97
 Benton Harbor, Michigan
 Ph: 269/926-6171
 Fax: 269/925-8288

PART NUMBER: STD115
 REVISION: G

Product Specifications

Model Number	MAX. PRESS.		MAX. SPEED	HP	kW	Net Wt.	
	bar.	PSI				lbs.	kg
2AM-ACC-91	7.0	100	3,000 RPM	.95	0.70	6.6	3.0

SOUND LEVEL 76 dba MAX.

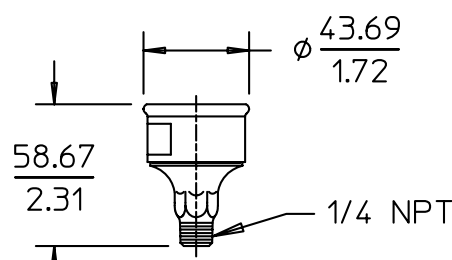
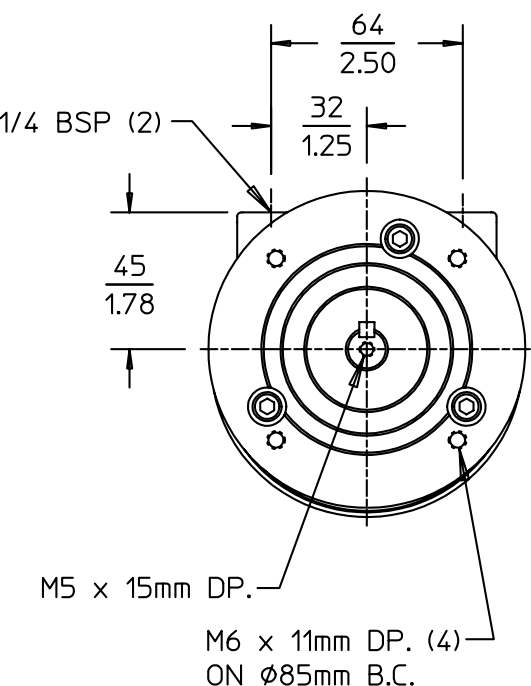
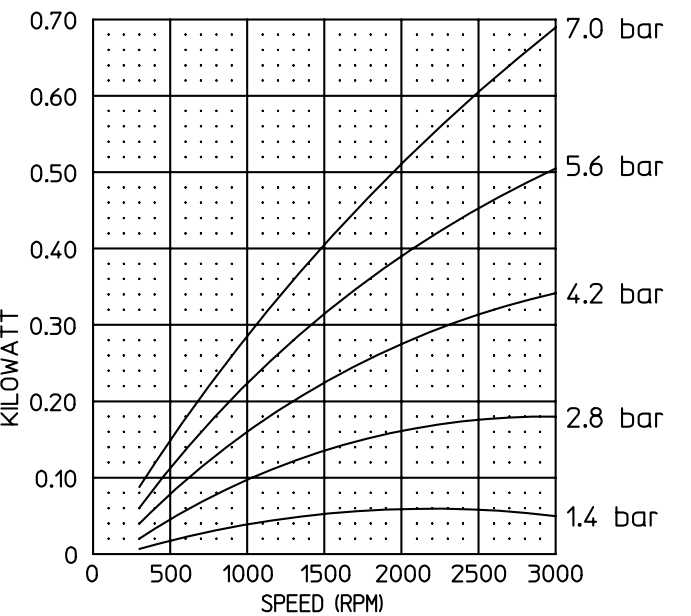
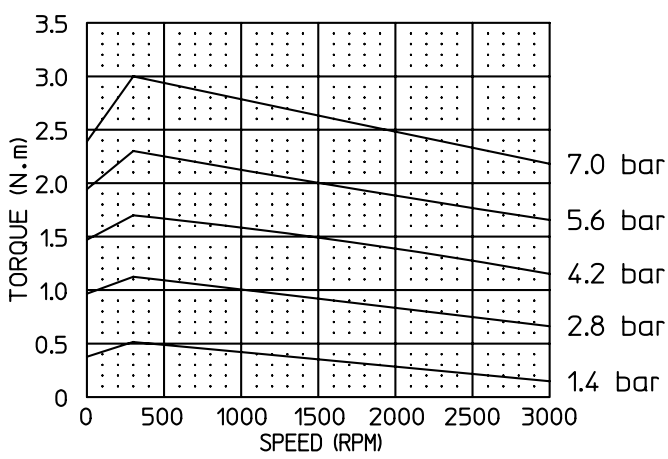
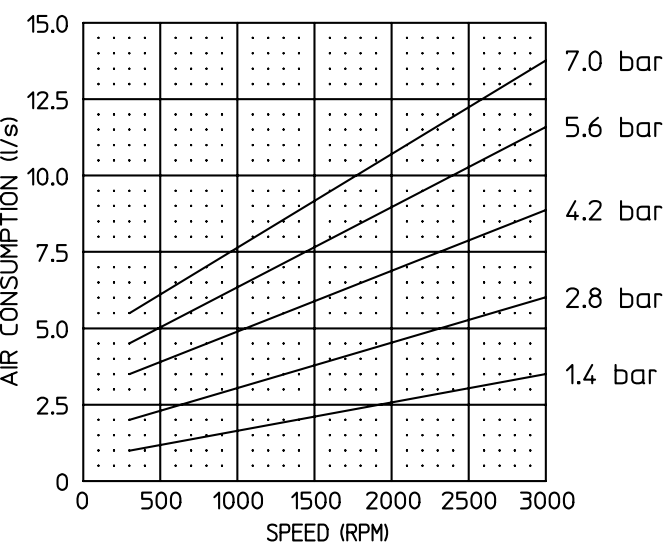
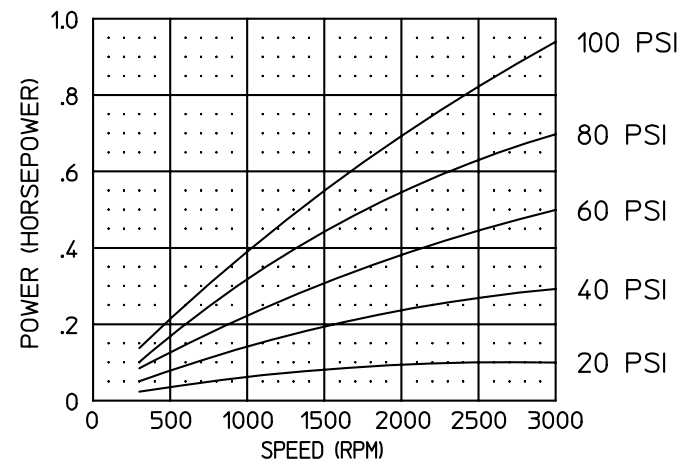
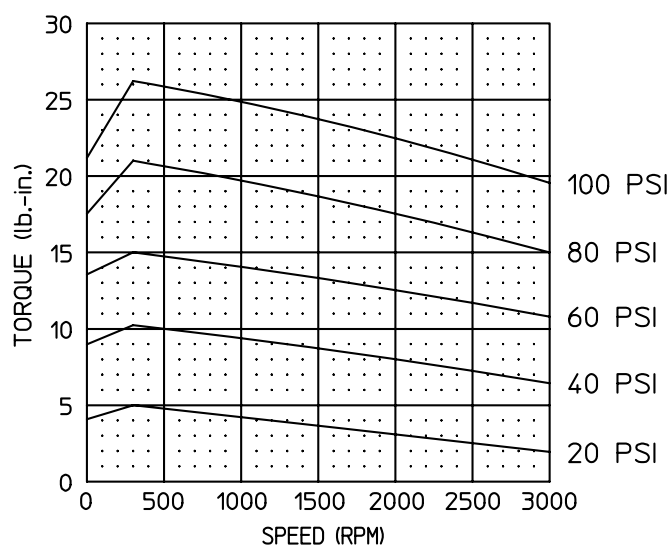
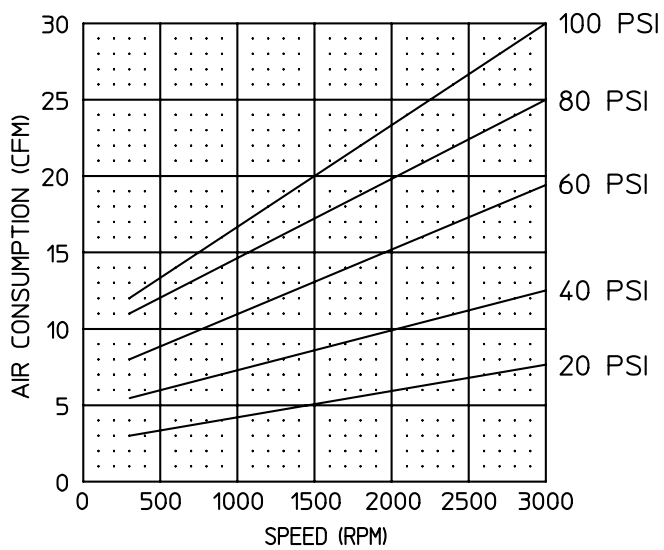
NORMAL AMBIENT 1° C. - 120° C.

RELATIVE HUMIDITY 0% - 100%

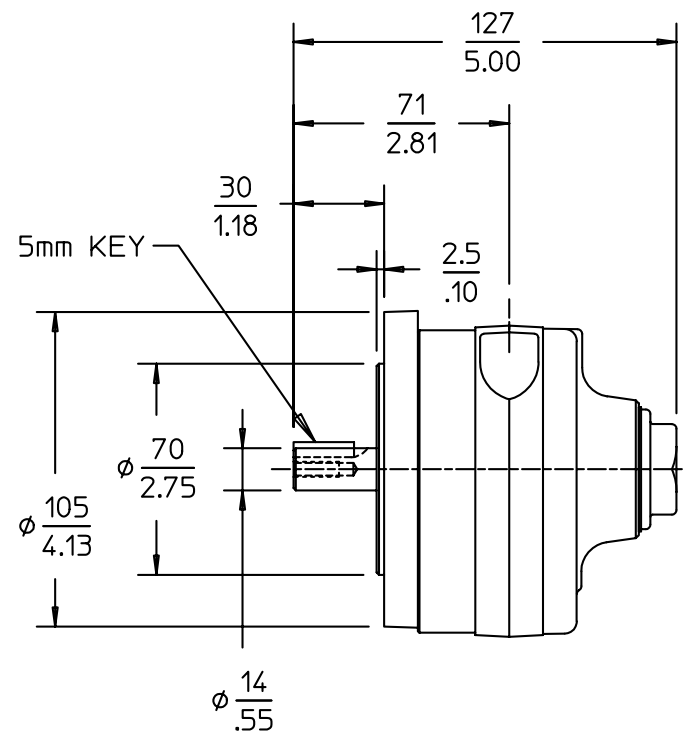
ENVIRONMENT HAZARDOUS AMBIENT COMBUSTIBLE
GAS AND DUST +1C TO +40C

CONFORMS TO EUROPEAN STANDARD EN13463-1
 NON-ELECTRICAL EQUIPMENT FOR EXPLOSIVE
 ATMOSPHERES GROUP 11 CAT 2 (GAS & DUST),
 PROTECTED BY CONSTRUCTION (SURFACE TEMP. RATED 135C).

* TECHNICAL DATA SUBJECT TO CHANGE
 WITHOUT NOTICE.



MUFFLER ASM.
 (SHIPPED UNATTACHED)





Post Office Box 97
 Benton Harbor, Michigan
 Ph: 269/926-6171
 Fax: 269/925-8288

PART NUMBER: STD119
 REVISION: G

Product Specifications

Model Number	MAX. PRESS.		MAX. SPEED	HP	kW	Net Wt.	
	bar.	PSI				lbs.	kg
2AM-ARV-92	7.0	100	3,000 RPM	.95	0.70	7.5	3.4

SOUND LEVEL 76 dB(A) MAX.

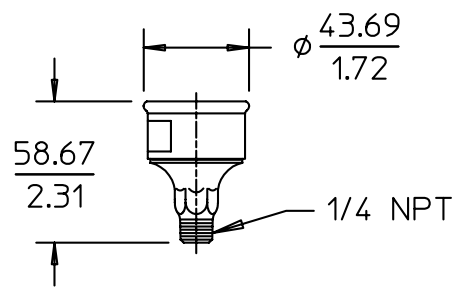
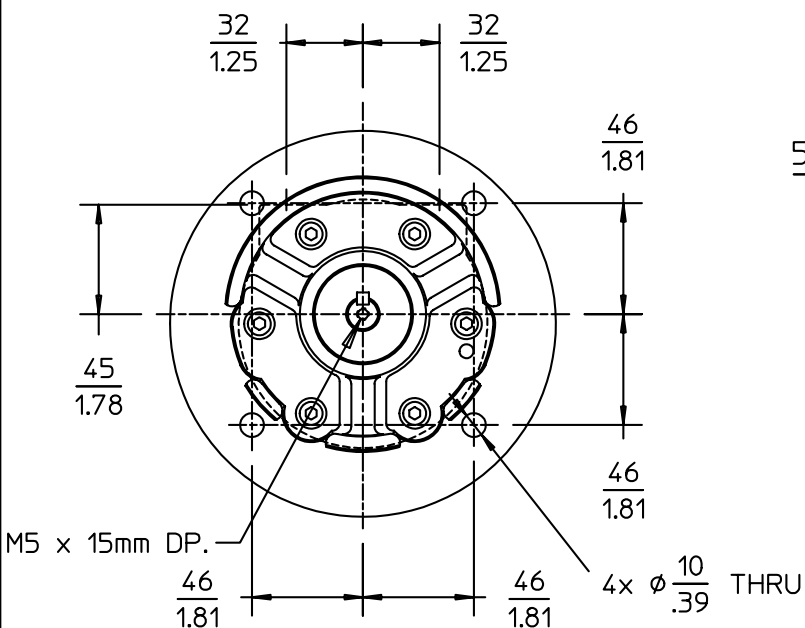
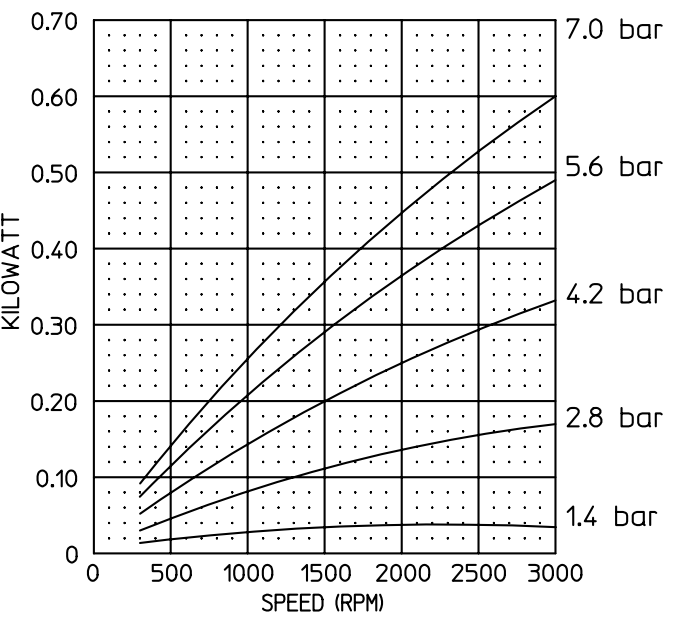
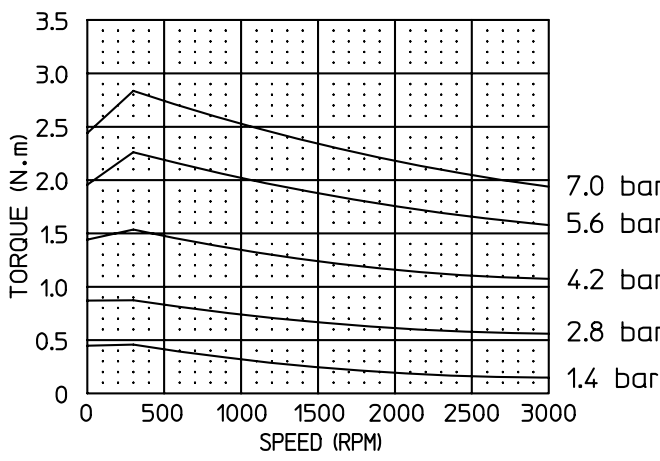
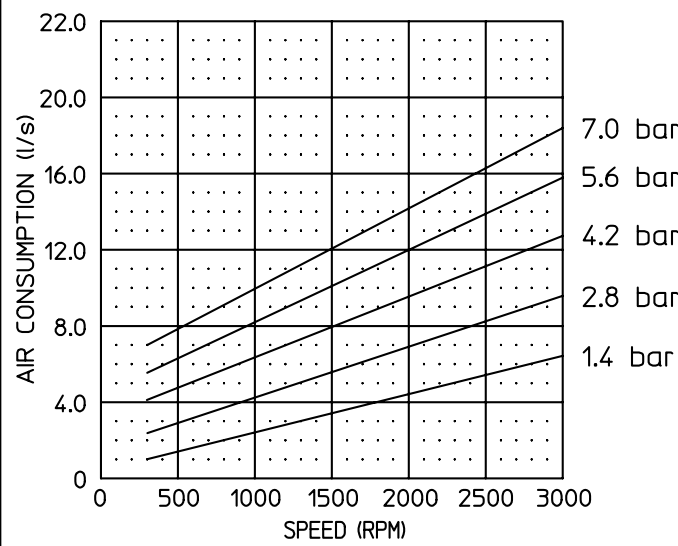
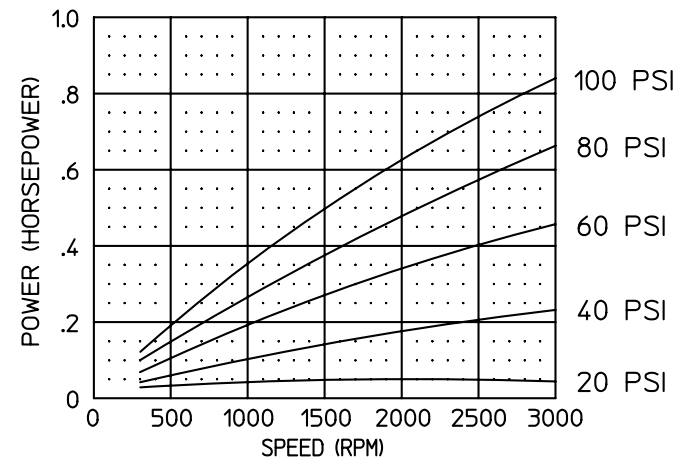
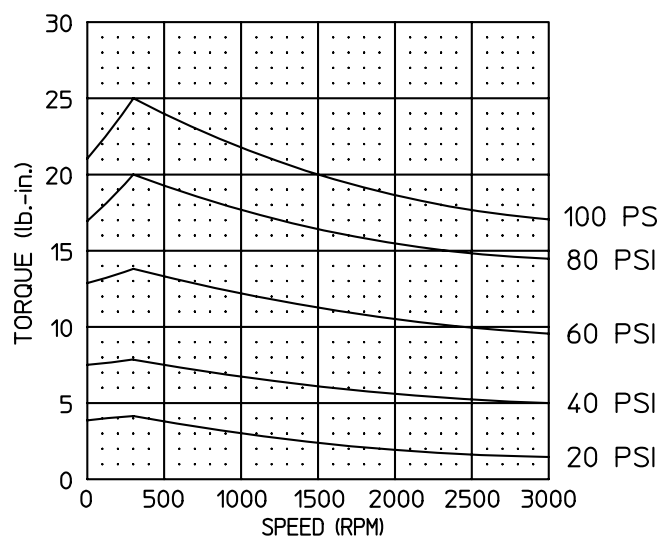
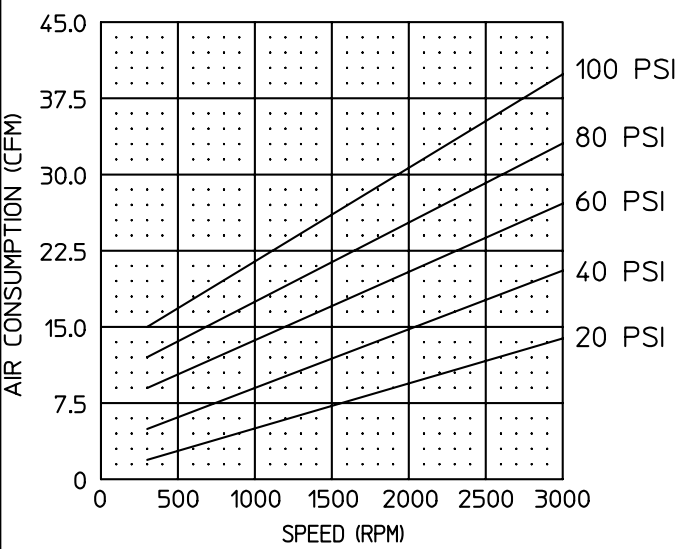
NORMAL AMBIENT 1° C. - 120° C.

RELATIVE HUMIDITY 0% - 100%

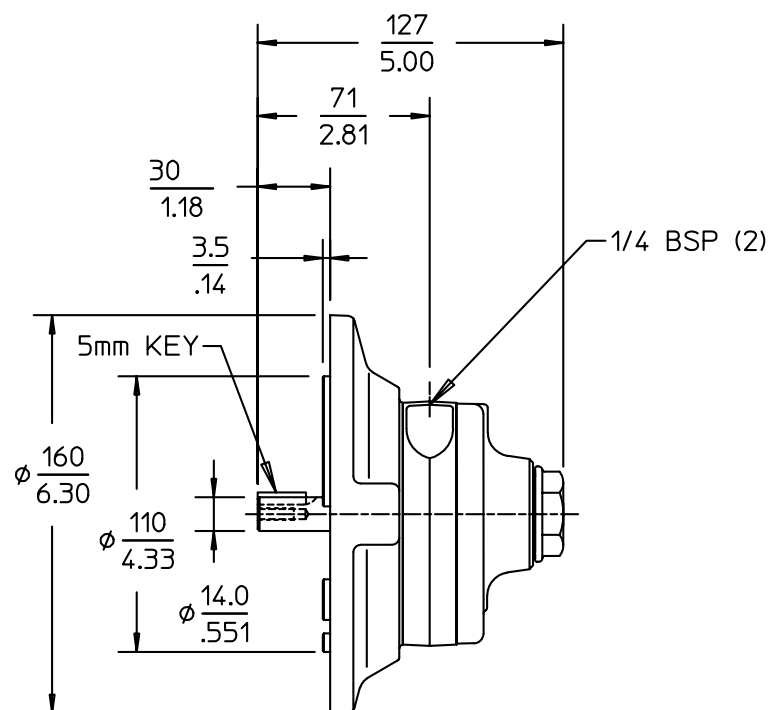
ENVIRONMENT HAZARDOUS AMBIENT COMBUSTIBLE
GAS AND DUST +1C TO +40C

CONFORMS TO EUROPEAN STANDARD PREN13463-1
 NON-ELECTRICAL EQUIPMENT FOR EXPLOSIVE
 ATMOSPHERES GROUP II CAT 2 (GAS & DUST),
 PROTECTED BY CONSTRUCTION (SURFACE TEMP. RATED 135C).

* TECHNICAL DATA SUBJECT TO CHANGE
 WITHOUT NOTICE.



MUFFLER ASM.
 (SHIPPED UNATTACHED)





Post Office Box 97
 Benton Harbor, Michigan
 Ph: 269/926-6171
 Fax: 269/925-8288

Product Specifications

Model Number	MAX. PRESS. bar.	PSI	MAX. SPEED	HP	kW	Net Wt. lbs.	kg
ZAM-ARV-93	7.0	100	3,000 RPM	.95	0.70	6.6	3.0

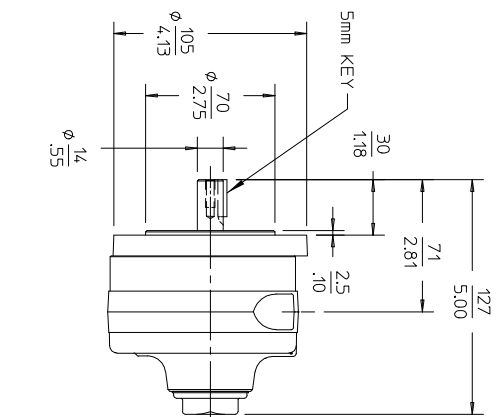
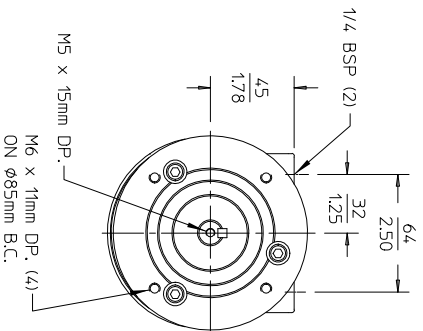
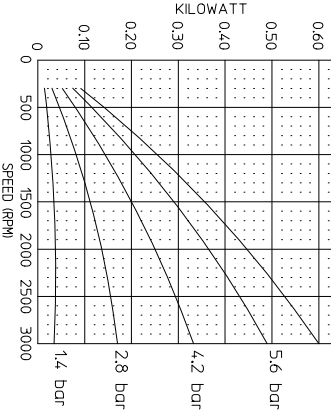
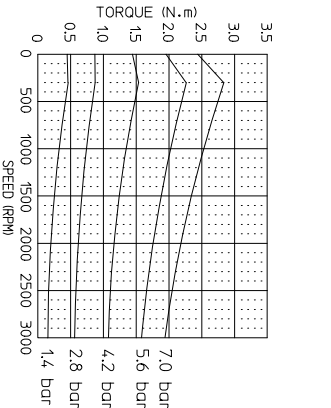
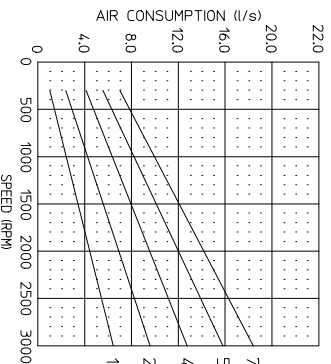
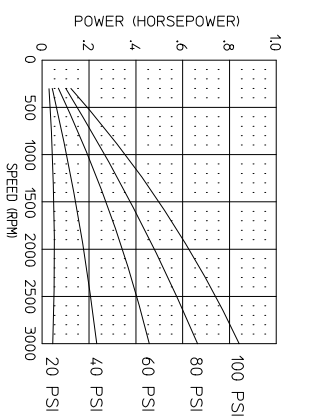
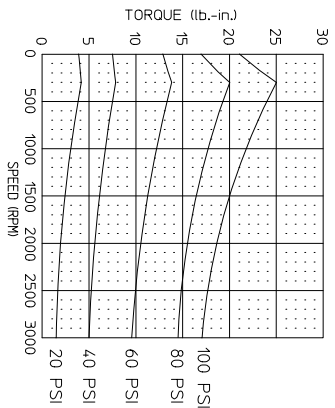
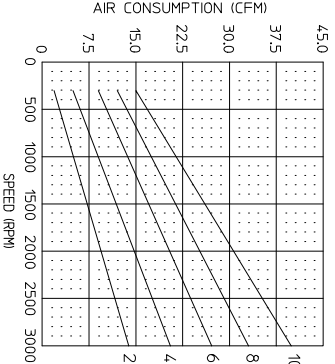
PART NUMBER: STD120
 REVISION: G

SOUND LEVEL 76 dba MAX.
 NORMAL AMBIENT +1° C. - 120° C.
 RELATIVE HUMIDITY 0% - 100%

CONFORMS TO EUROPEAN STANDARD EN13463-1
 NON-ELECTRICAL EQUIPMENT FOR EXPLOSIVE
 ATMOSPHERES GROUP 11 CAT 2 (GAS & DUST),
 PROTECTED BY CONSTRUCTION (SURFACE TEMP. RATED 135C).

ENVIRONMENT HAZARDOUS AMBIENT COMBUSTIBLE
GAS AND DUST +1°C TO +4.0°C

* TECHNICAL DATA SUBJECT TO CHANGE
 WITHOUT NOTICE.





Post Office Box 97
 Benton Harbor, Michigan
 Ph: 269/926-6171
 Fax: 269/925-8288

PART NUMBER: STD224
 REVISION: E

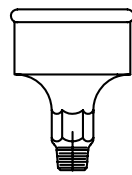
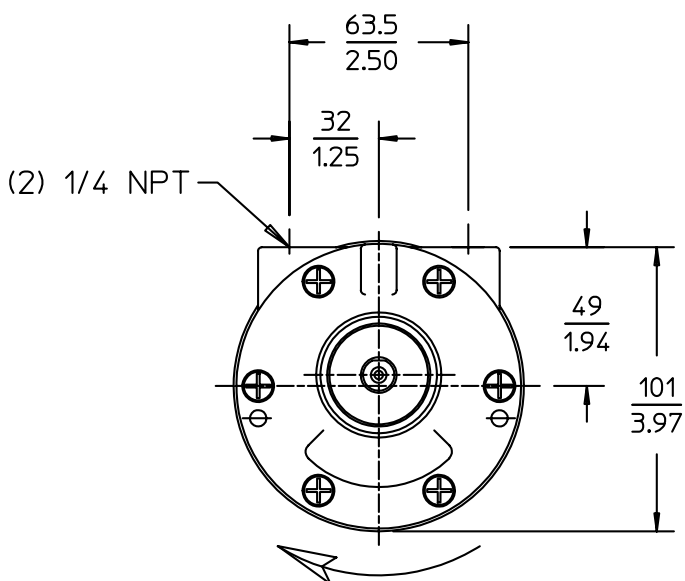
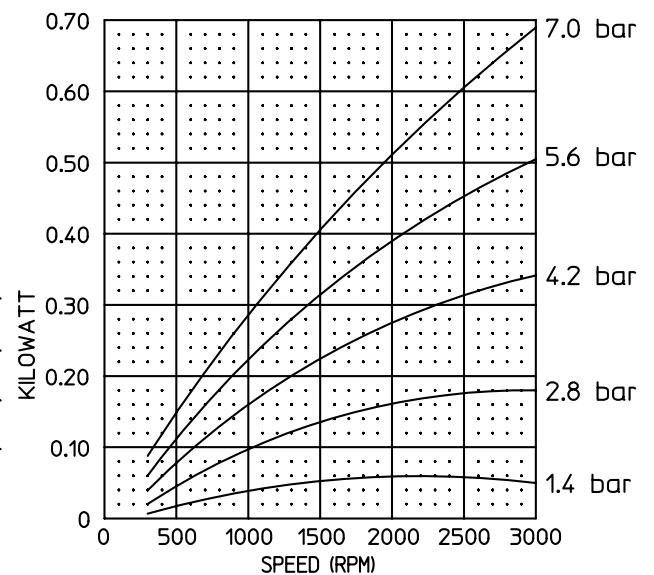
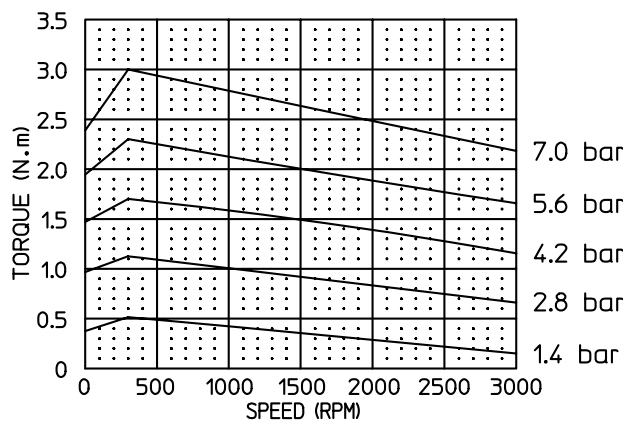
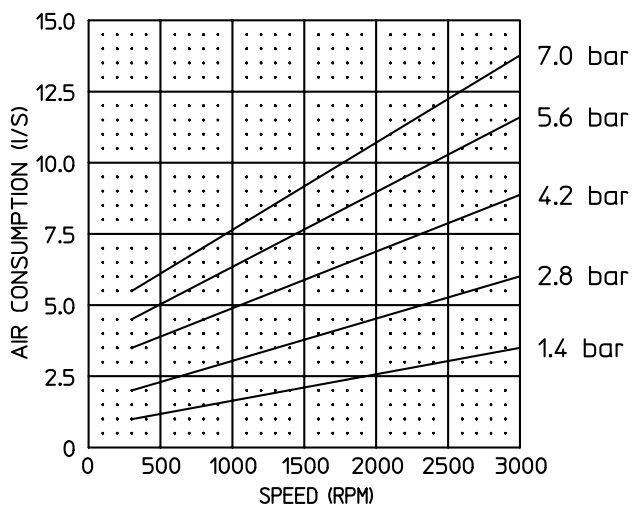
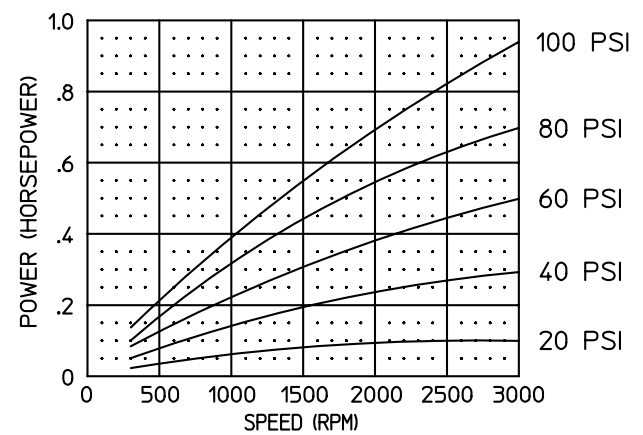
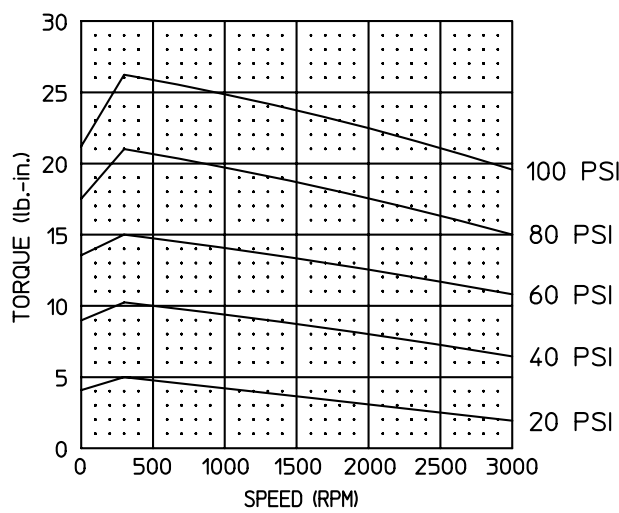
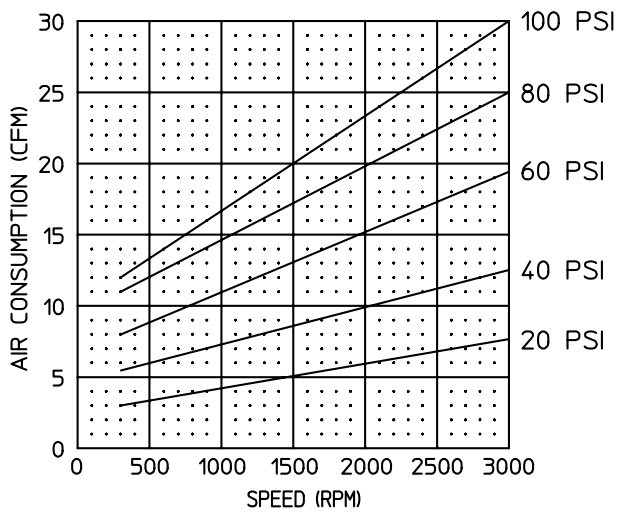
Product Specifications

Model Number	MAX. PRESS.		MAX. SPEED	HP	kW	Net Wt.	
	bar.	PSI				lbs.	kg
2AM-NCW-7B	7.0	100	3,000 RPM	.95	0.70	4.2	1.9

SOUND LEVEL 76 dba MAX.
 NORMAL AMBIENT +1° C. - 120° C.
 RELATIVE HUMIDITY 0% - 100%
 ENVIRONMENT HAZARDOUS AMBIENT COMBUSTIBLE
GAS AND DUST +1°C TO +40°C

CONFORMS TO EUROPEAN STANDARD EN13463-1
 NON-ELECTRICAL EQUIPMENT FOR EXPLOSIVE
 ATMOSPHERES GROUP 11 CAT 2 (GAS & DUST),
 PROTECTED BY CONSTRUCTION (SURFACE TEMP. RATED 135C).

* TECHNICAL DATA SUBJECT TO CHANGE
 WITHOUT NOTICE.



MUFFLER ASSEMBLY
 SHIPPED UNATTACHED

