

# Product Specifications



Post Office Box 97  
Benton Harbor, Michigan  
Ph: 269/926-6171  
Fax: 269/925-8288

PART NUMBER:  
**STD150**

REV.  
**G**

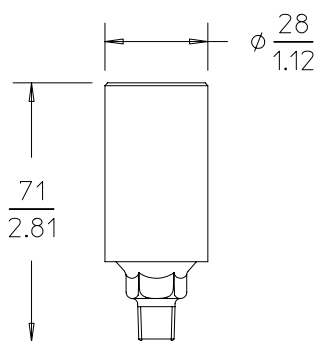
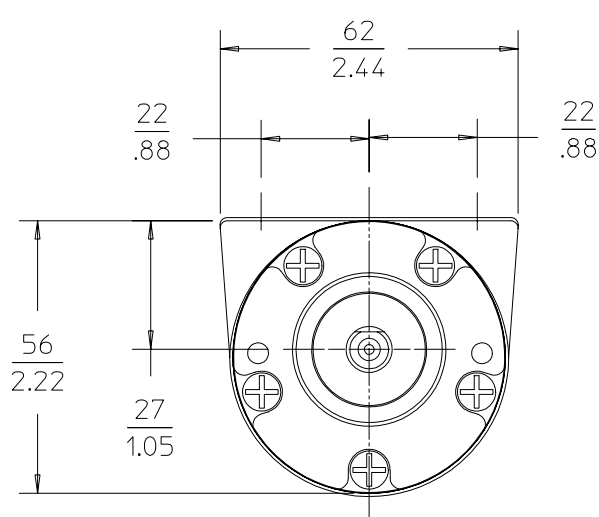
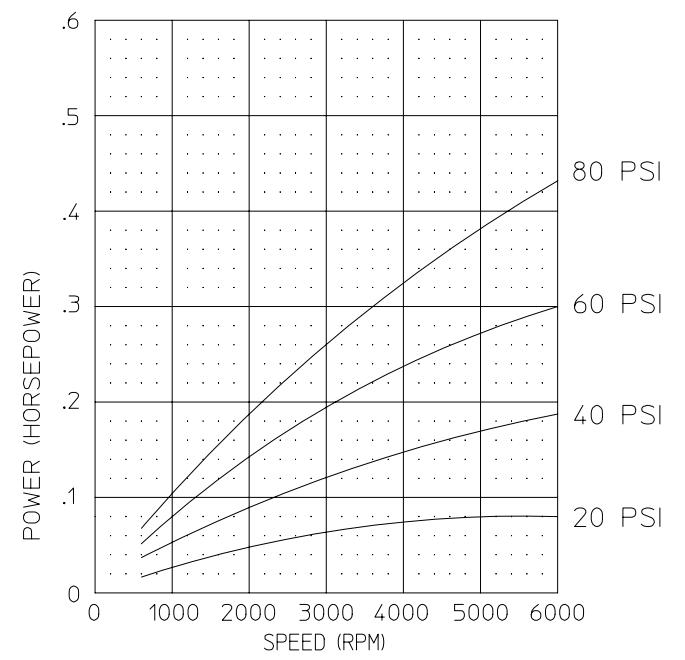
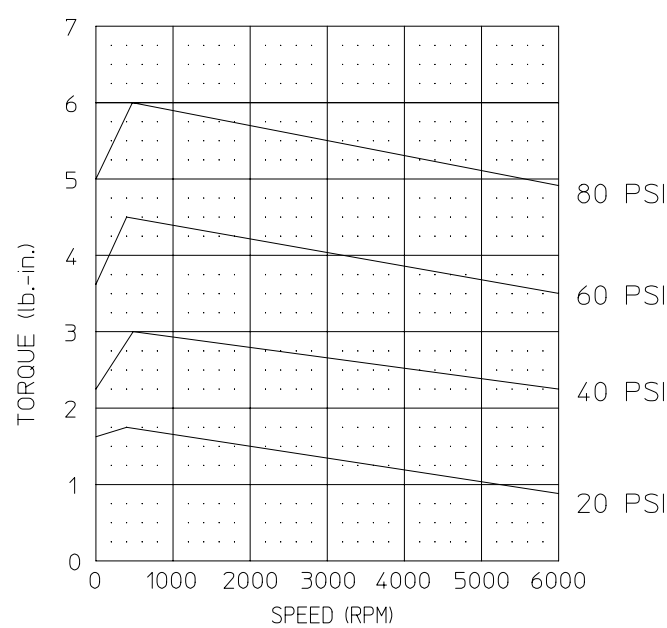
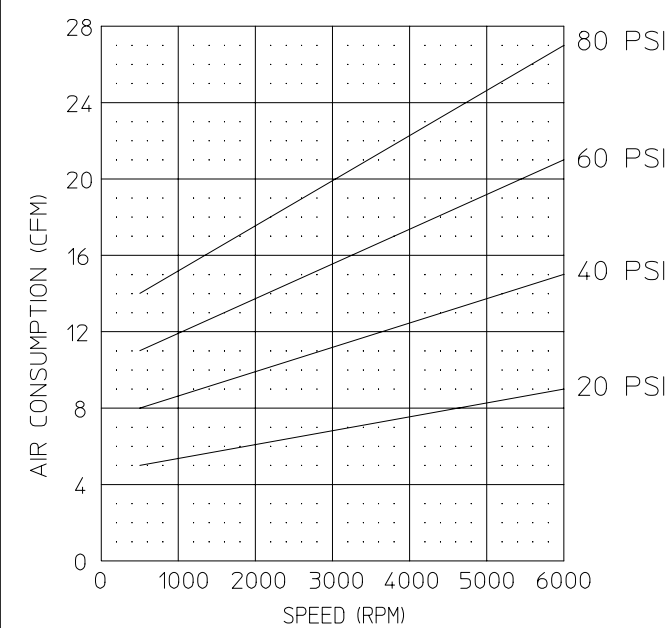
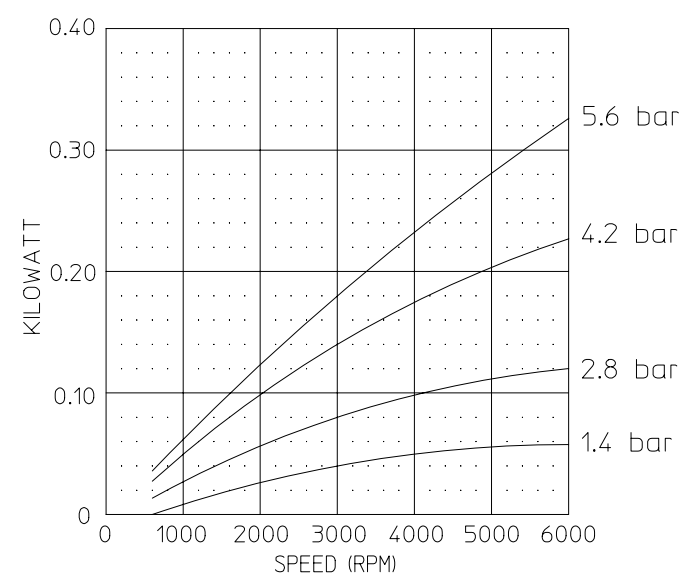
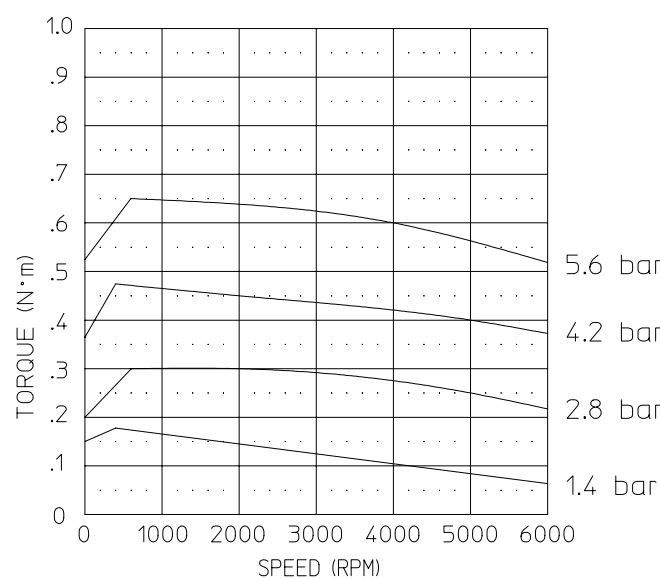
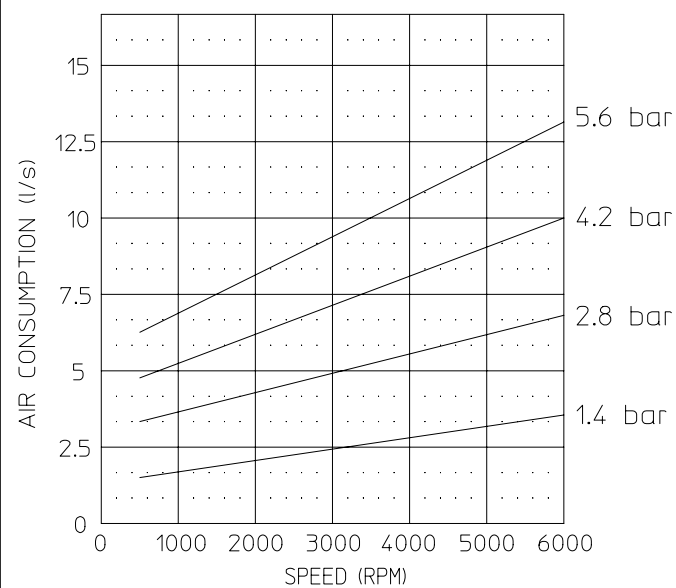
Model Number	MAX. PRESS.		MAX. SPEED	HP	kW	Net Wt.	
	bar.	PSI				lbs.	kg
1UP-NCC-1A	5.6	80	6,000 RPM	.42	0.33	3	1.4
1UP-NCW-2A	5.6	80	6,000 RPM	.42	0.33	3	1.4
* 1UP-NRV-3	5.6	80	6,000 RPM	.42	0.33	3	1.4
1UP-NRV-3A	5.6	80	6,000 RPM	.42	0.33	3	1.4
1UP-NRV-10	5.6	80	6,000 RPM	.42	0.33	3	1.4
1UP-NCC-30	5.6	80	6,000 RPM	.42	0.33	3	1.4

SOUND LEVEL 78 dB(A) MAX.  
 NORMAL AMBIENT +1° C. - 120° C.  
 RELATIVE HUMIDITY 0% - 100%  
 ENVIRONMENT HAZARDOUS AMBIENT COMBUSTIBLE  
GAS AND DUST +1°C TO +40°C

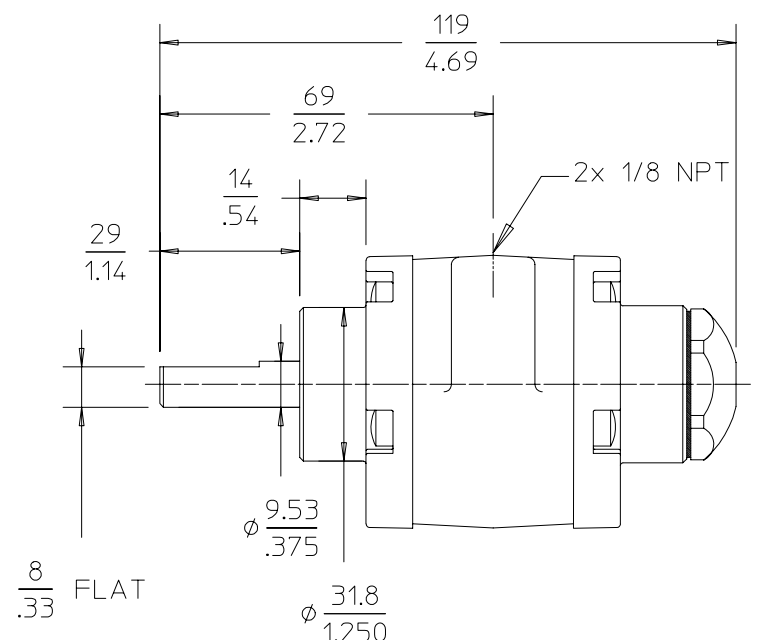
CONFORMS TO EUROPEAN STANDARD EN13463-1  
 NON-ELECTRICAL EQUIPMENT FOR EXPLOSIVE  
 ATMOSPHERES GROUP 11 CAT 2 (GAS & DUST),  
 PROTECTED BY CONSTRUCTION (SURFACE TEMP. RATED 135C).

\* DENOTES INACTIVE MODELS

TECHNICAL DATA SUBJECT TO CHANGE WITHOUT NOTICE



MUFFLER ASSEMBLY  
 SHIPPED UNATTACHED  
 (1UP-NRV-3A ONLY)



# Product Specifications



Post Office Box 97  
Benton Harbor, Michigan  
Ph: 269/926-6171  
Fax: 269/925-8288

PART NUMBER:  
**STD150**

REV.  
**G**

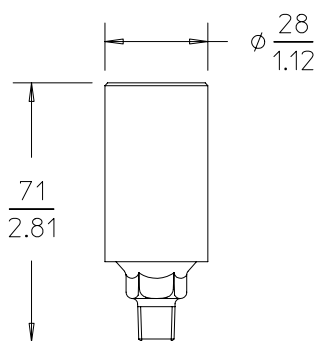
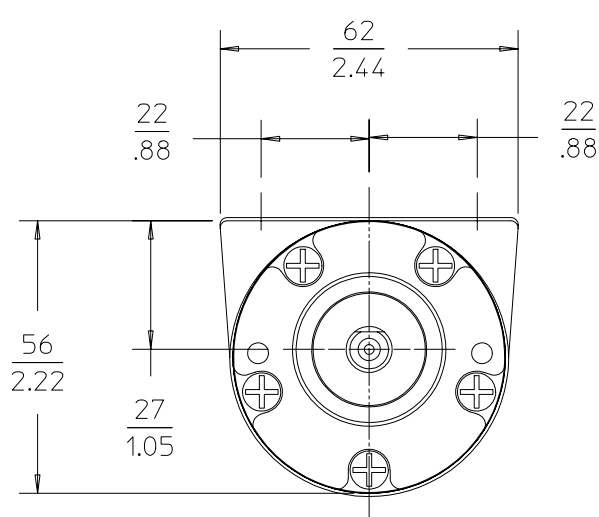
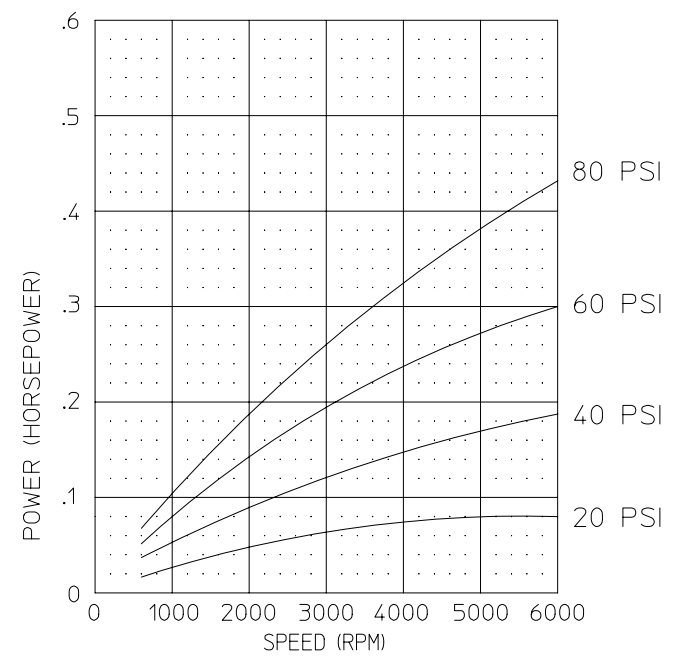
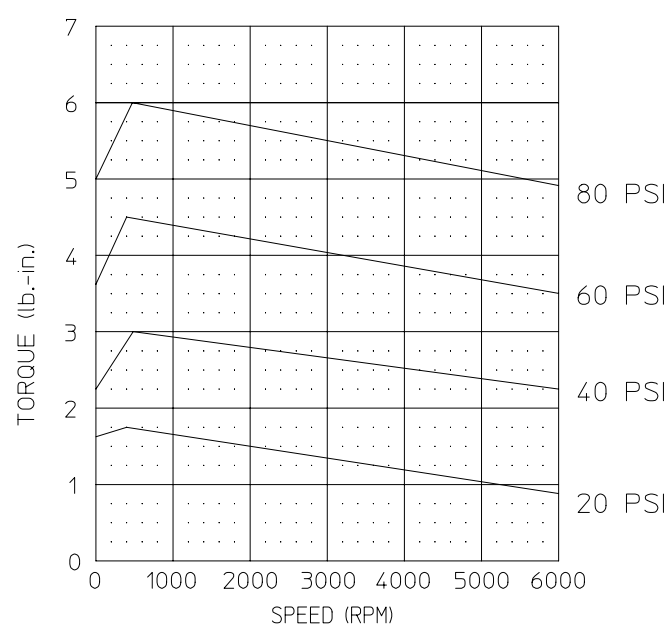
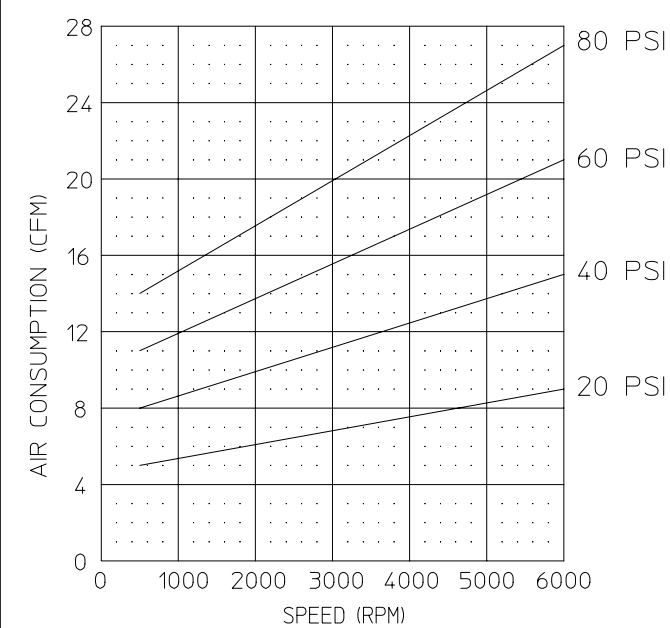
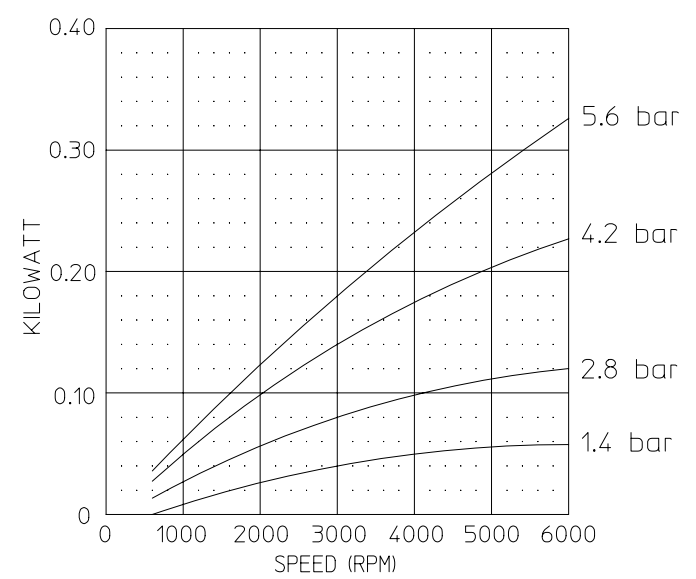
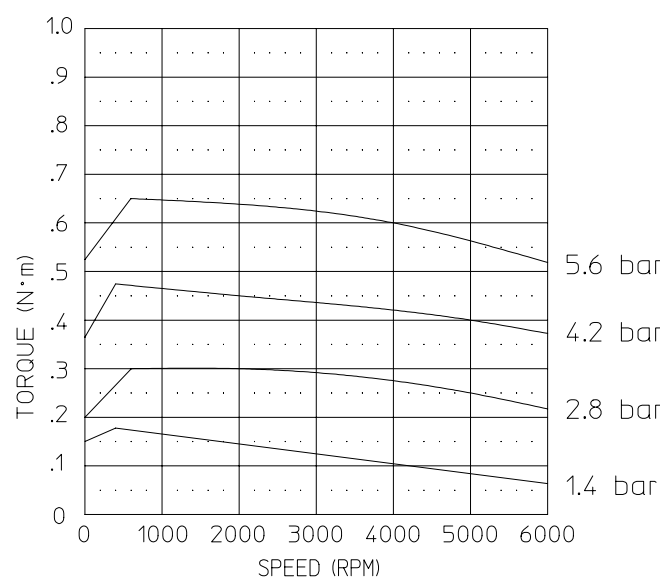
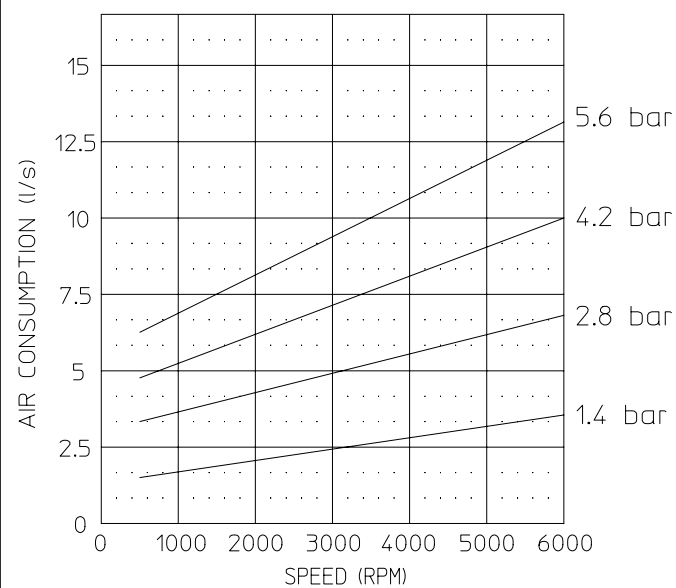
Model Number	MAX. PRESS.		MAX. SPEED	HP	kW	Net Wt.	
	bar.	PSI				lbs.	kg
1UP-NCC-1A	5.6	80	6,000 RPM	.42	0.33	3	1.4
1UP-NCW-2A	5.6	80	6,000 RPM	.42	0.33	3	1.4
* 1UP-NRV-3	5.6	80	6,000 RPM	.42	0.33	3	1.4
1UP-NRV-3A	5.6	80	6,000 RPM	.42	0.33	3	1.4
1UP-NRV-10	5.6	80	6,000 RPM	.42	0.33	3	1.4
1UP-NCC-30	5.6	80	6,000 RPM	.42	0.33	3	1.4

SOUND LEVEL 78 dB(A) MAX.  
 NORMAL AMBIENT +1° C. - 120° C.  
 RELATIVE HUMIDITY 0% - 100%  
 ENVIRONMENT HAZARDOUS AMBIENT COMBUSTIBLE  
GAS AND DUST +1°C TO +40°C

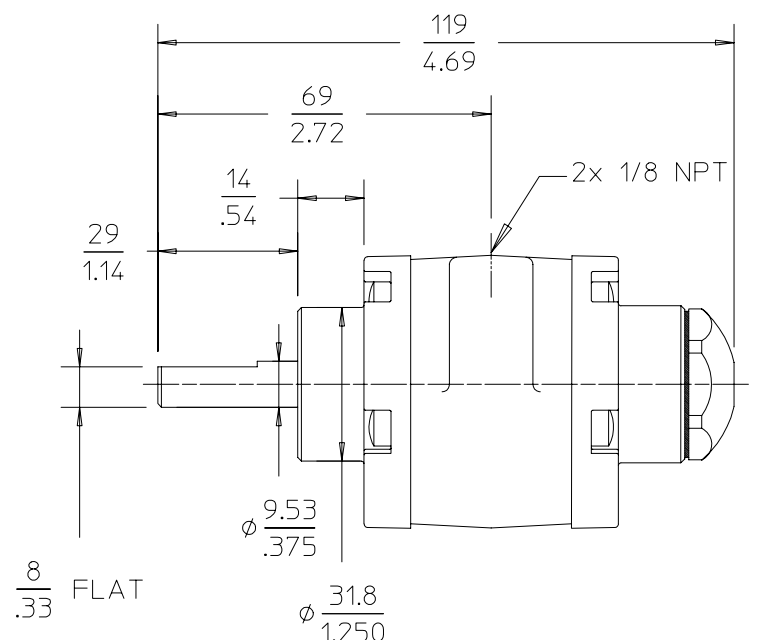
CONFORMS TO EUROPEAN STANDARD EN13463-1  
 NON-ELECTRICAL EQUIPMENT FOR EXPLOSIVE  
 ATMOSPHERES GROUP 11 CAT 2 (GAS & DUST),  
 PROTECTED BY CONSTRUCTION (SURFACE TEMP. RATED 135C).

\* DENOTES INACTIVE MODELS

TECHNICAL DATA SUBJECT TO CHANGE WITHOUT NOTICE



MUFFLER ASSEMBLY  
 SHIPPED UNATTACHED  
 (1UP-NRV-3A ONLY)



$\frac{8}{.33}$  FLAT

# Product Specifications



Post Office Box 97  
Benton Harbor, Michigan  
Ph: 269/926-6171  
Fax: 269/925-8288

PART NUMBER:  
**STD150**

REV.  
**G**

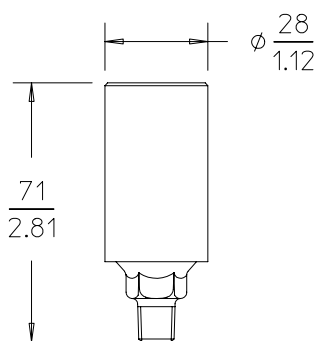
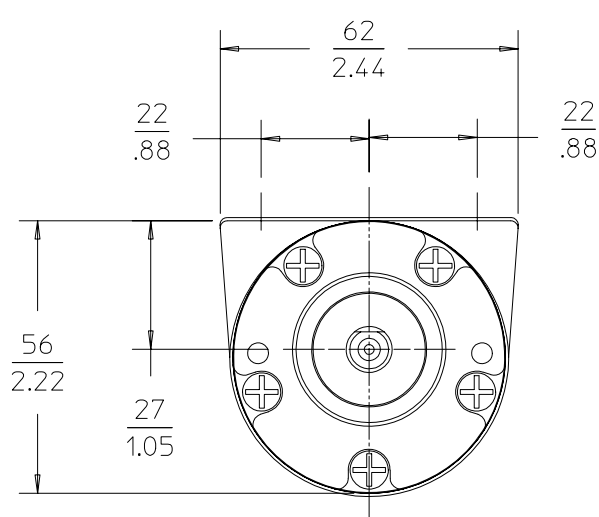
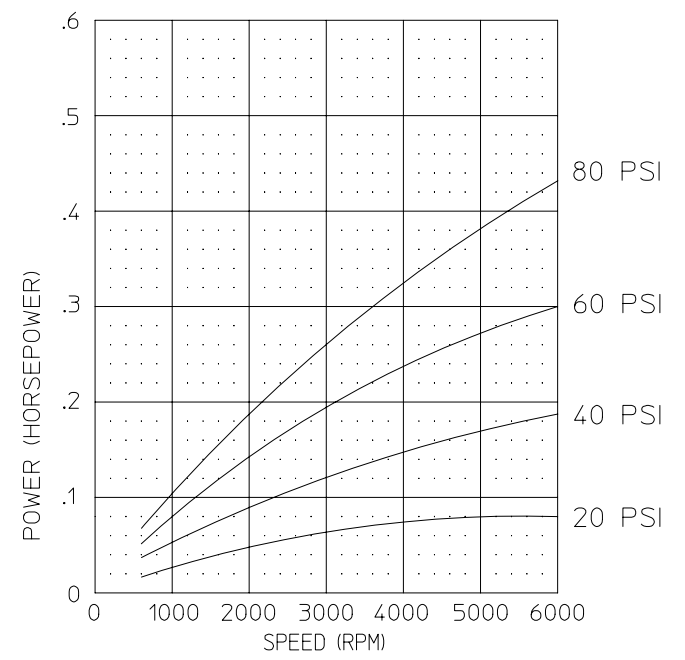
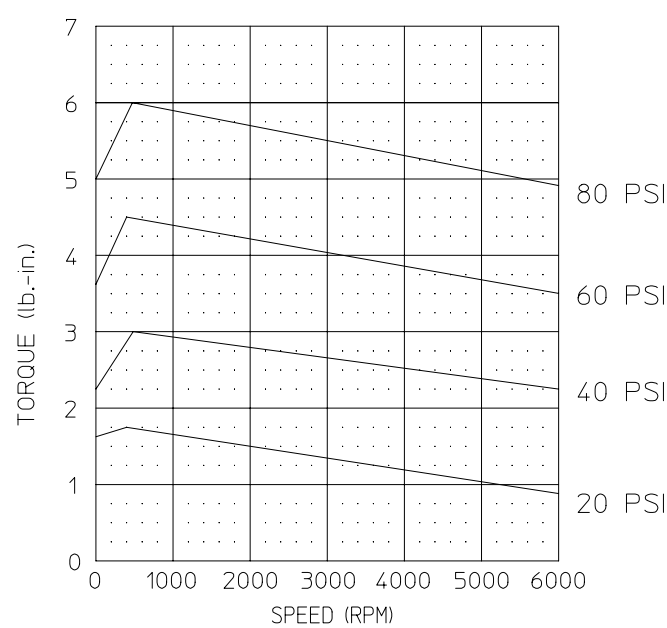
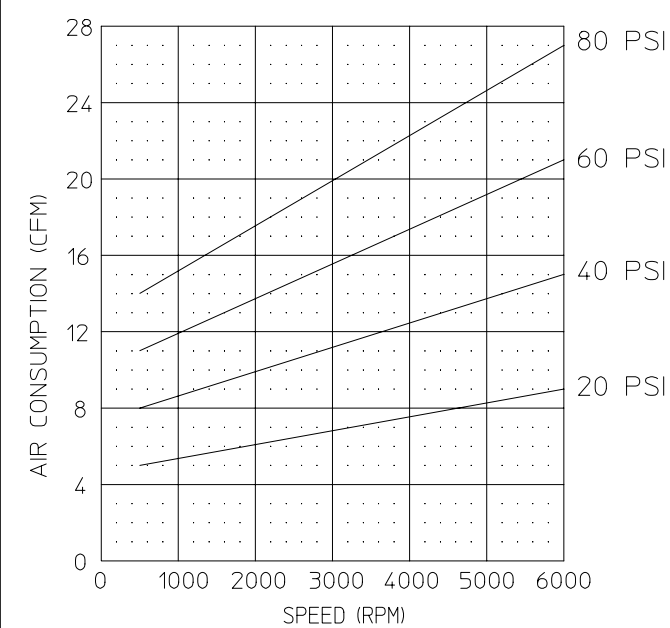
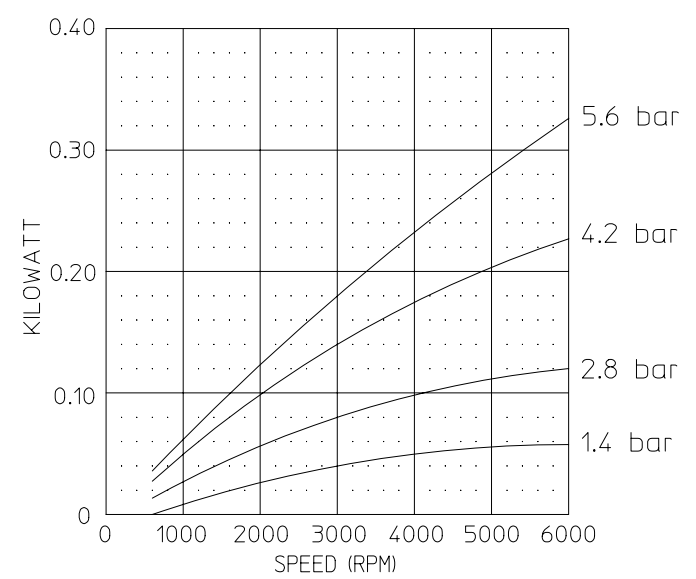
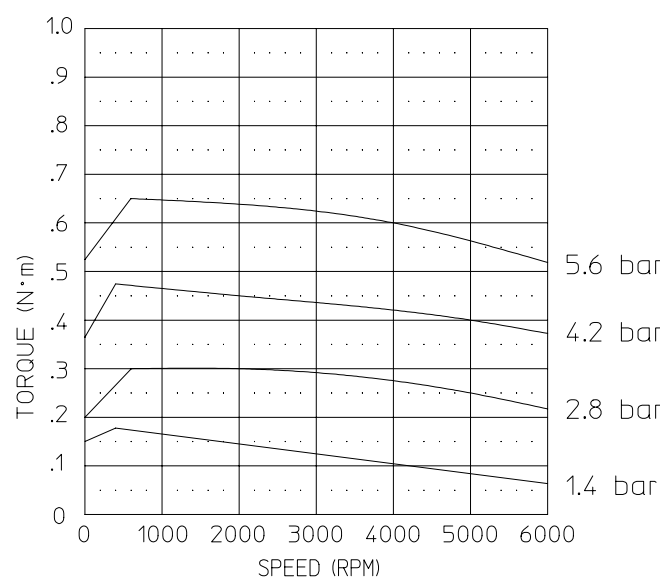
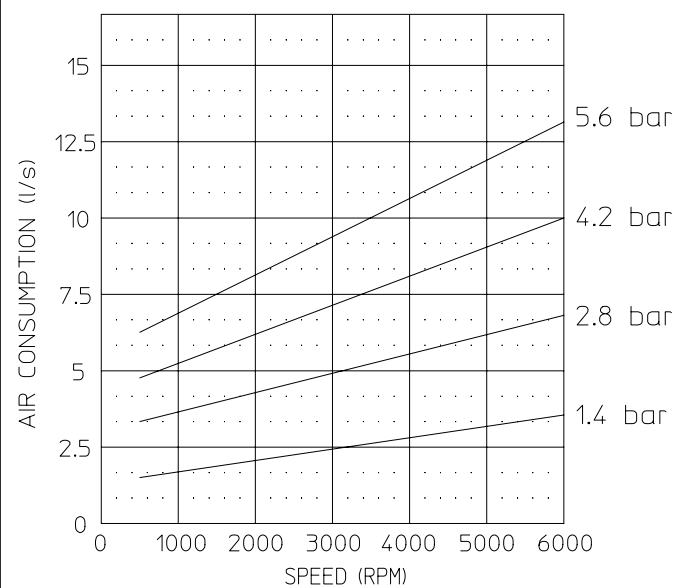
Model Number	MAX. PRESS.		MAX. SPEED	HP	kW	Net Wt.	
	bar.	PSI				lbs.	kg
1UP-NCC-1A	5.6	80	6,000 RPM	.42	0.33	3	1.4
1UP-NCW-2A	5.6	80	6,000 RPM	.42	0.33	3	1.4
* 1UP-NRV-3	5.6	80	6,000 RPM	.42	0.33	3	1.4
1UP-NRV-3A	5.6	80	6,000 RPM	.42	0.33	3	1.4
1UP-NRV-10	5.6	80	6,000 RPM	.42	0.33	3	1.4
1UP-NCC-30	5.6	80	6,000 RPM	.42	0.33	3	1.4

SOUND LEVEL 78 dB(A) MAX.  
 NORMAL AMBIENT +1° C. - 120° C.  
 RELATIVE HUMIDITY 0% - 100%  
 ENVIRONMENT HAZARDOUS AMBIENT COMBUSTIBLE  
GAS AND DUST +1°C TO +40°C

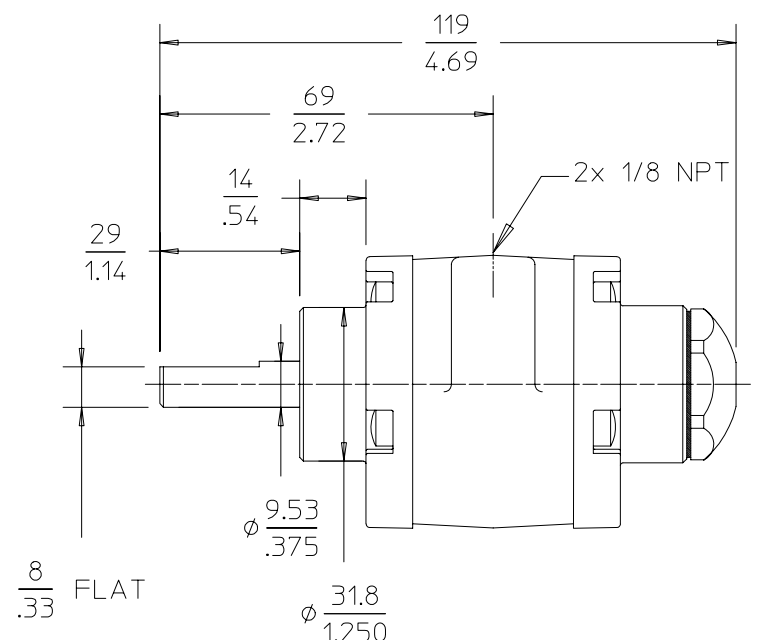
CONFORMS TO EUROPEAN STANDARD EN13463-1  
 NON-ELECTRICAL EQUIPMENT FOR EXPLOSIVE  
 ATMOSPHERES GROUP 11 CAT 2 (GAS & DUST),  
 PROTECTED BY CONSTRUCTION (SURFACE TEMP. RATED 135C).

\* DENOTES INACTIVE MODELS

TECHNICAL DATA SUBJECT TO CHANGE WITHOUT NOTICE



MUFFLER ASSEMBLY  
 SHIPPED UNATTACHED  
 (1UP-NRV-3A ONLY)





Post Office Box 97  
 Benton Harbor, Michigan  
 Ph: 269/926-6171  
 Fax: 269/925-8288

PART NUMBER: STD105  
 REVISION: F

# Product Specifications

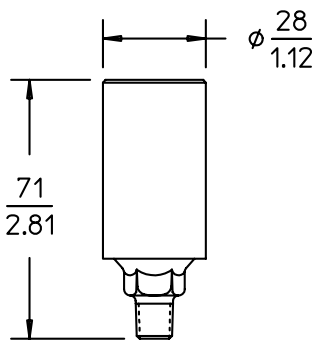
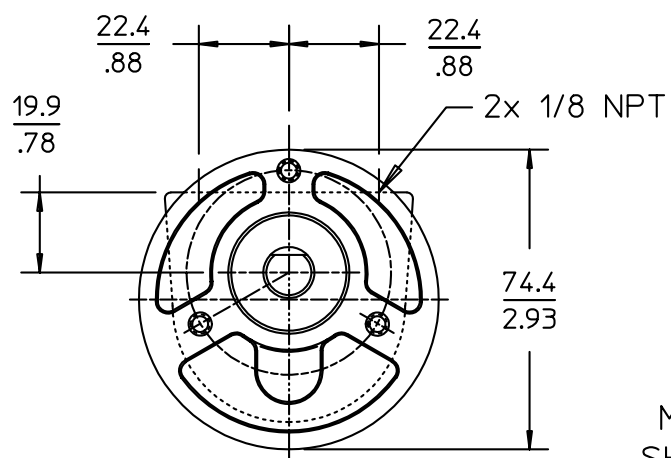
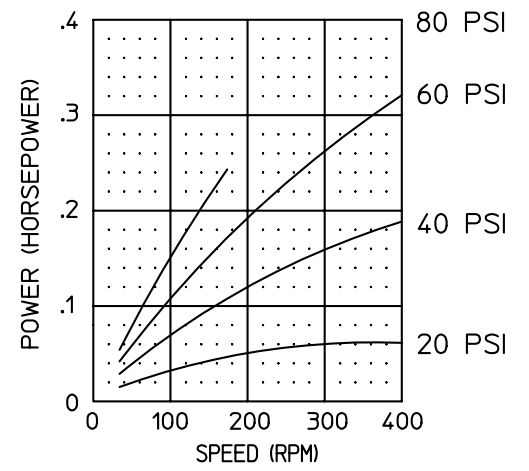
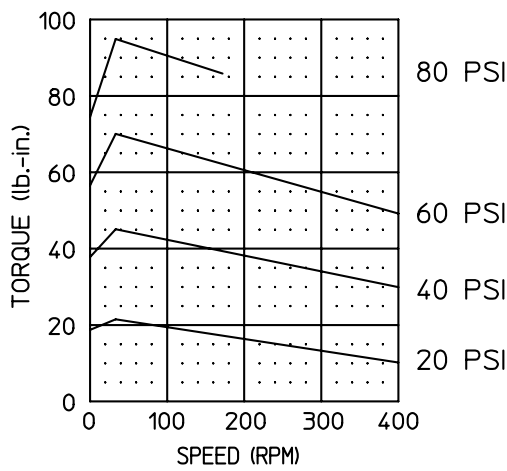
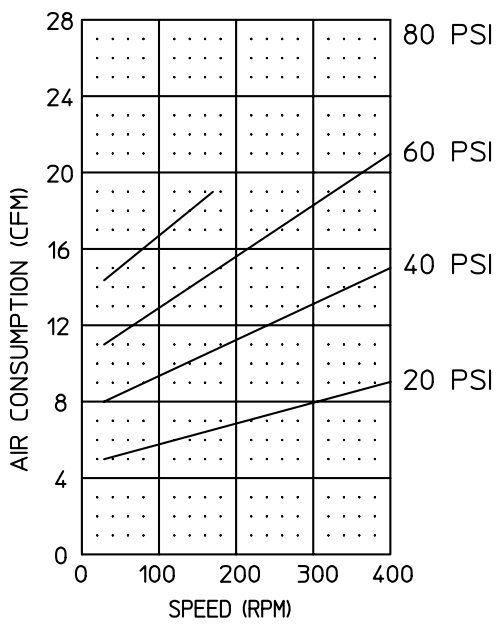
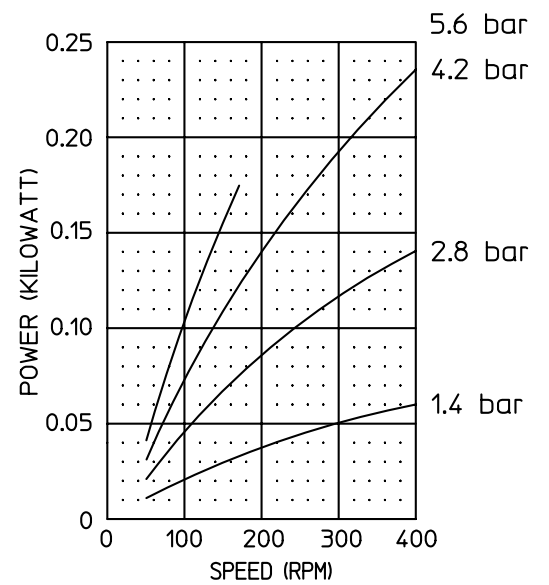
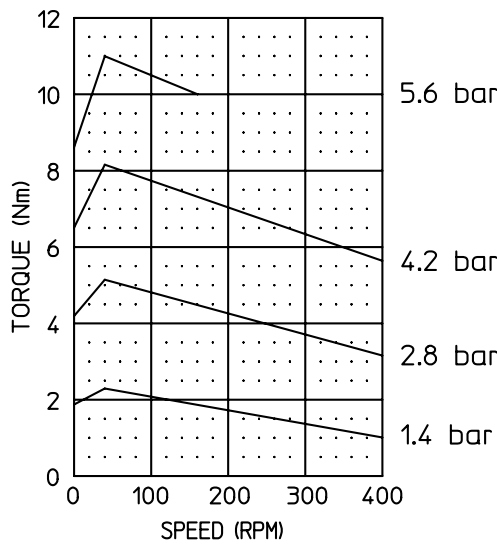
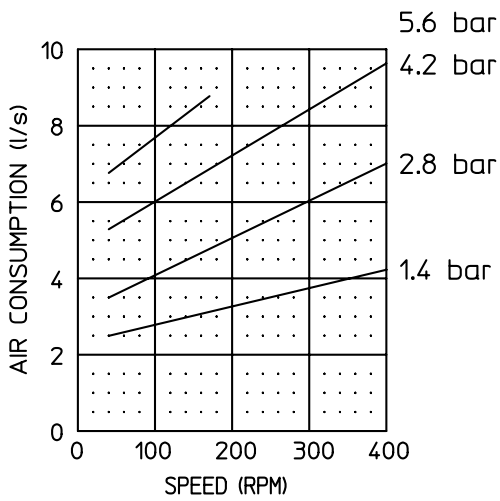
Model Number	MAX. PRESS.		MAX. SPEED	HP	kW	Net Wt.	
	bar.	PSI				lbs.	kg
1UP-NRV-4-GR11	5.6	80	400 RPM	.31	0.23	3.1	1.41
* 1UP-NRV-4A-GR11	5.6	80	400 RPM	.31	0.23	3.1	1.41
1UP-NRV-11-GR11	5.6	80	400 RPM	.31	0.23	3.1	1.41

SOUND LEVEL 78 dba MAX.  
 NORMAL AMBIENT 1° C. - 120° C.  
 RELATIVE HUMIDITY 0% - 100%  
 ENVIRONMENT HAZARDOUS AMBIENT COMBUSTIBLE  
GAS AND DUST +1°C TO +40°C

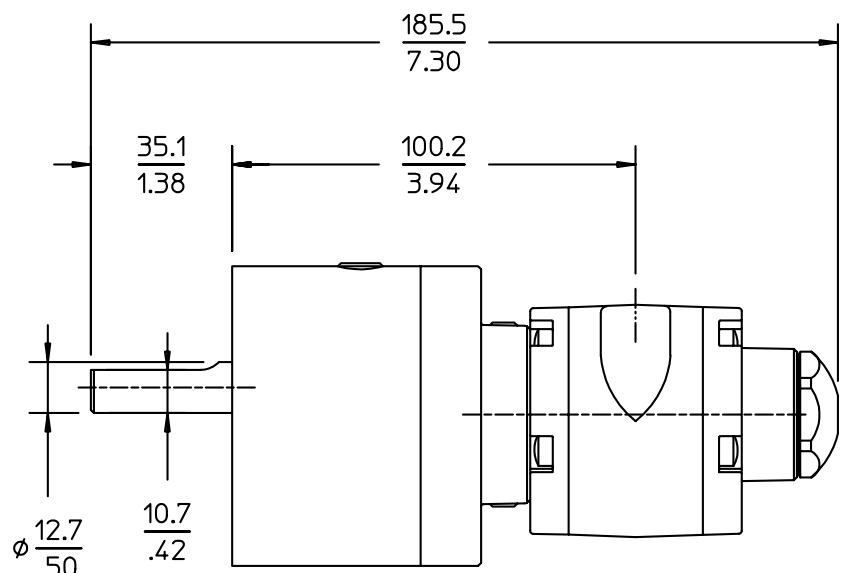
CONFORMS TO EUROPEAN STANDARD EN13463-1  
 NON-ELECTRICAL EQUIPMENT FOR EXPLOSIVE  
 ATMOSPHERES GROUP II, CAT 2 (GAS AND DUST)  
 PROTECTED BY CONSTRUCTION  
 (SURFACE TEMP. RATED 135C).

\* DENOTES INACTIVE

\* TECHNICAL DATA SUBJECT TO CHANGE  
 WITHOUT NOTICE.



MUFFLER ASSEMBLY  
 SHIPPED UNATTACHED  
 (1UP-NRV-4A-GR11 EXCLUDED)



# Product Specifications



Post Office Box 97  
Benton Harbor, Michigan  
Ph: 269/926-6171  
Fax: 269/925-8288

PART NUMBER:  
**STD150**

REV.  
**G**

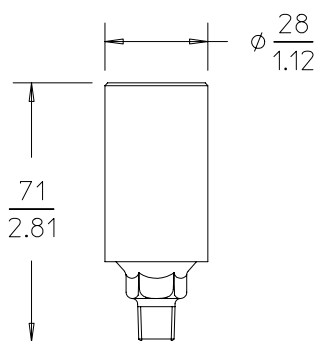
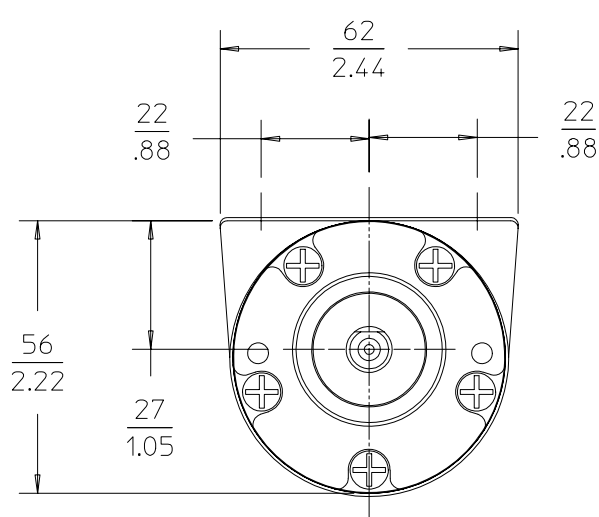
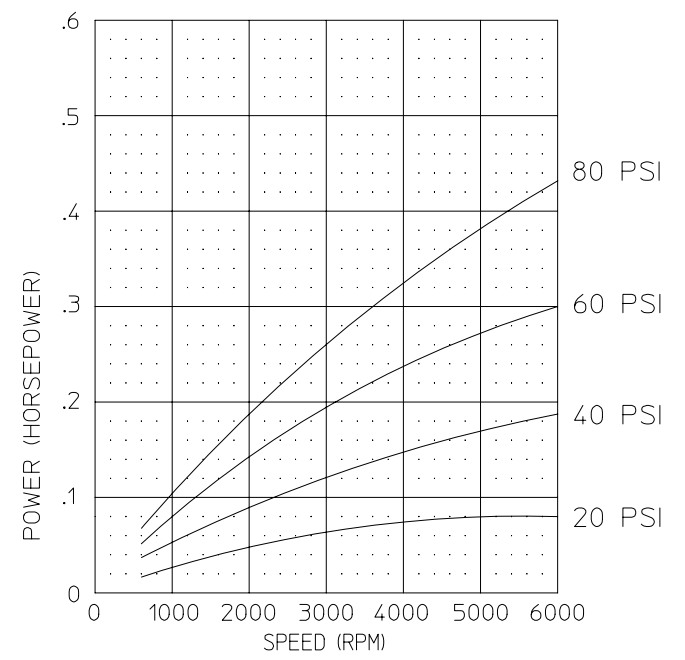
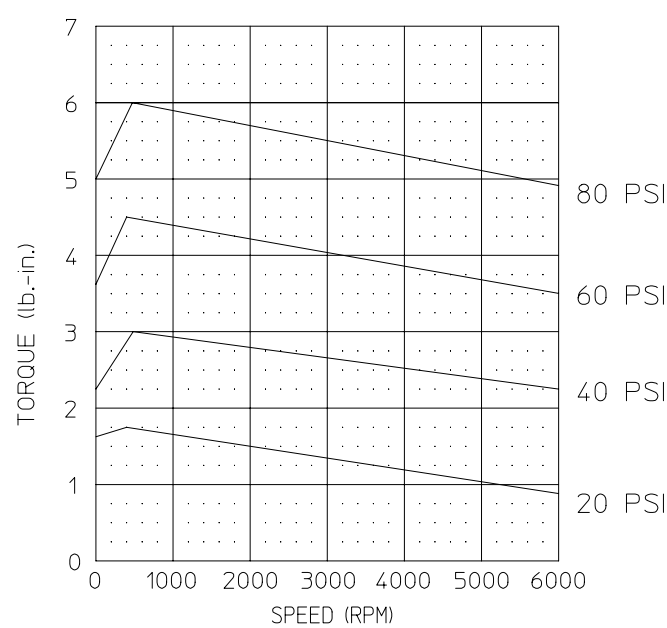
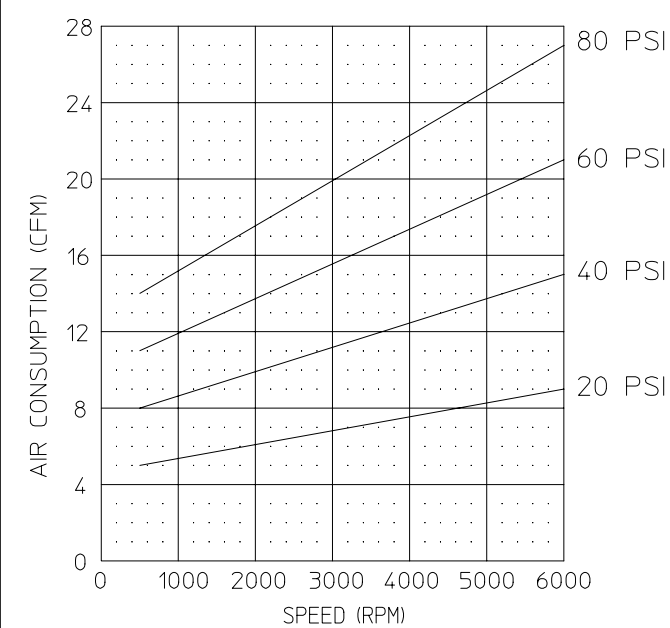
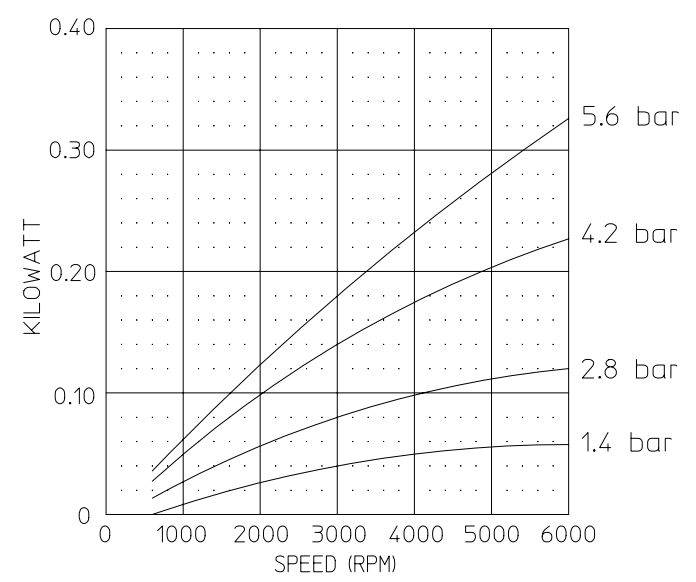
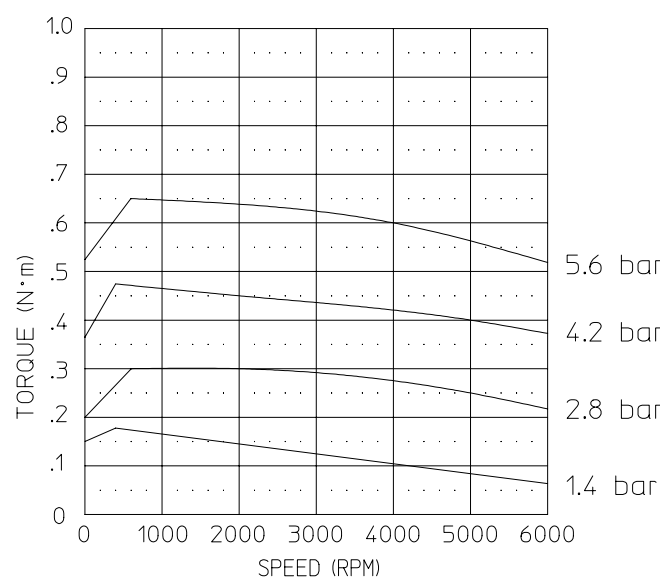
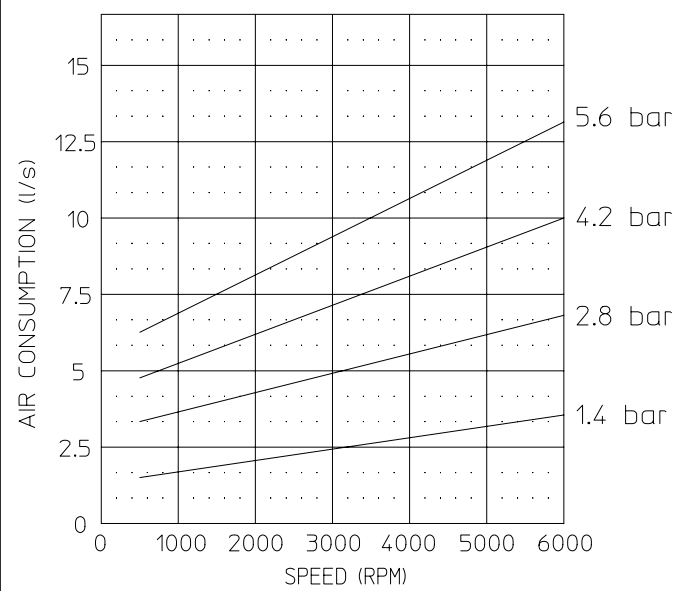
Model Number	MAX. PRESS.		MAX. SPEED	HP	kW	Net Wt.	
	bar.	PSI				lbs.	kg
1UP-NCC-1A	5.6	80	6,000 RPM	.42	0.33	3	1.4
1UP-NCW-2A	5.6	80	6,000 RPM	.42	0.33	3	1.4
* 1UP-NRV-3	5.6	80	6,000 RPM	.42	0.33	3	1.4
1UP-NRV-3A	5.6	80	6,000 RPM	.42	0.33	3	1.4
1UP-NRV-10	5.6	80	6,000 RPM	.42	0.33	3	1.4
1UP-NCC-30	5.6	80	6,000 RPM	.42	0.33	3	1.4

SOUND LEVEL 78 dB(A) MAX.  
 NORMAL AMBIENT +1° C. - 120° C.  
 RELATIVE HUMIDITY 0% - 100%  
 ENVIRONMENT HAZARDOUS AMBIENT COMBUSTIBLE  
GAS AND DUST +1°C TO +40°C

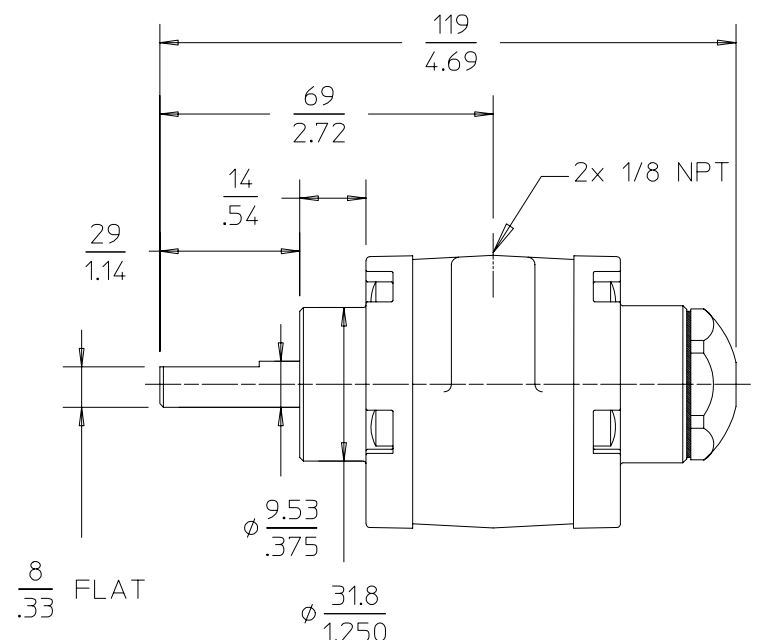
CONFORMS TO EUROPEAN STANDARD EN13463-1  
 NON-ELECTRICAL EQUIPMENT FOR EXPLOSIVE  
 ATMOSPHERES GROUP 11 CAT 2 (GAS & DUST),  
 PROTECTED BY CONSTRUCTION (SURFACE TEMP. RATED 135C).

\* DENOTES INACTIVE MODELS

TECHNICAL DATA SUBJECT TO CHANGE WITHOUT NOTICE



MUFFLER ASSEMBLY  
 SHIPPED UNATTACHED  
 (1UP-NRV-3A ONLY)





Post Office Box 97  
 Benton Harbor, Michigan  
 Ph: 269/926-6171  
 Fax: 269/925-8288

# Product Specifications

PART NUMBER: STD105  
 REVISION: F

Model Number	MAX. PRESS.		MAX. SPEED	HP	kW	Net Wt.	
	bar.	PSI				lbs.	kg
1UP-NRV-4-GR11	5,6	80	400 RPM	.31	0,23	3,1	1,41
* 1UP-NRV-4A-GR11	5,6	80	400 RPM	.31	0,23	3,1	1,41
1UP-NRV-11-GR11	5,6	80	400 RPM	.31	0,23	3,1	1,41

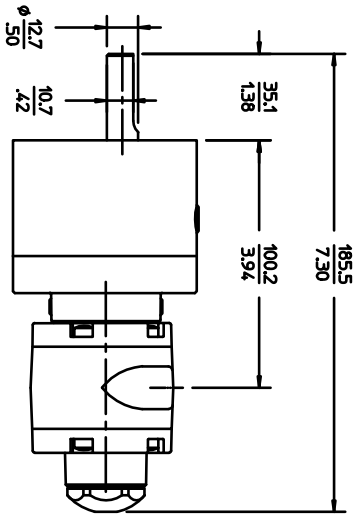
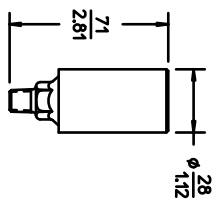
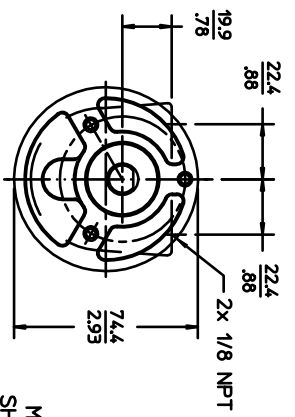
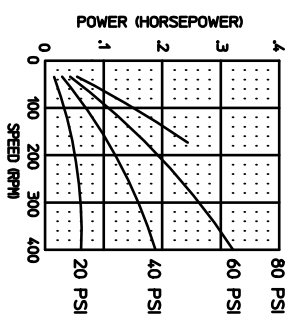
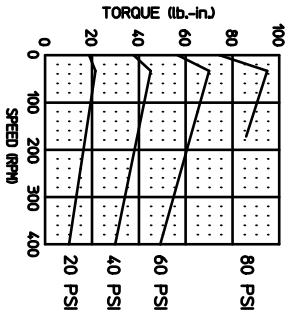
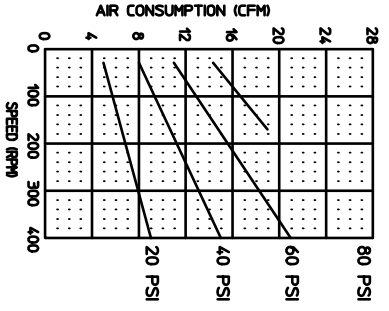
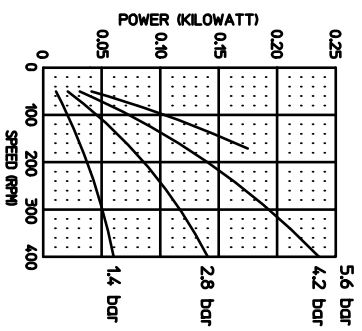
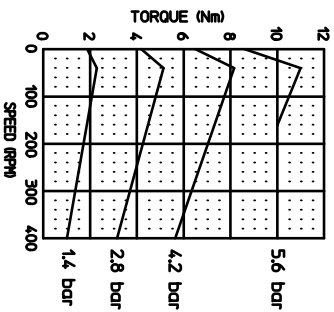
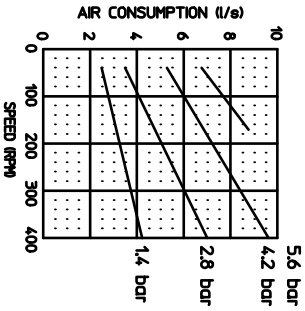
\* DENOTES INACTIVE

SOUND LEVEL 78 dba MAX.  
 NORMAL AMBIENT 1° C. - 120° C.

RELATIVE HUMIDITY 0% - 100%

ENVIRONMENT HAZARDOUS AMBIENT COMBUSTIBLE GAS AND DUST +1° C TO +40° C

CONFORMS TO EUROPEAN STANDARD EN13463-1  
 NON-ELECTRICAL EQUIPMENT FOR EXPLOSIVE  
 ATMOSPHERES GROUP II, CAT 2 (GAS AND DUST)  
 PROTECTED BY CONSTRUCTION  
 (SURFACE TEMP. RATED 135C.)  
 \* TECHNICAL DATA SUBJECT TO CHANGE  
 WITHOUT NOTICE.



MUFFLER ASSEMBLY  
 SHIPPED UNATTACHED  
 (1UP-NRV-4A-GR11 EXCLUDED)