



GAST MANUFACTURING, INC.
 A Unit of IDEX Corporation
 Post Office Box 97
 Benton Harbor, Michigan
 Ph: 269/926-6171
 Fax: 269/925-8288

PART NUMBER:

LTD229

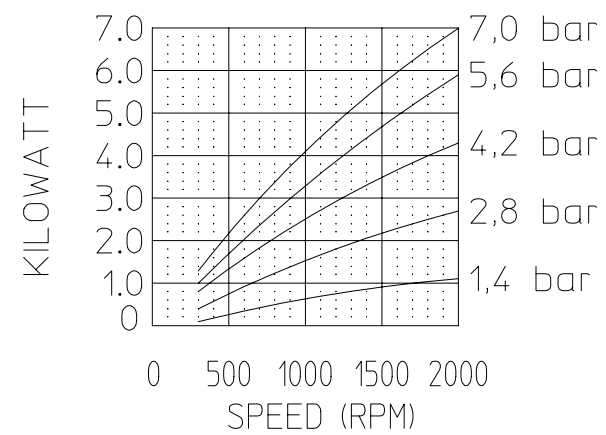
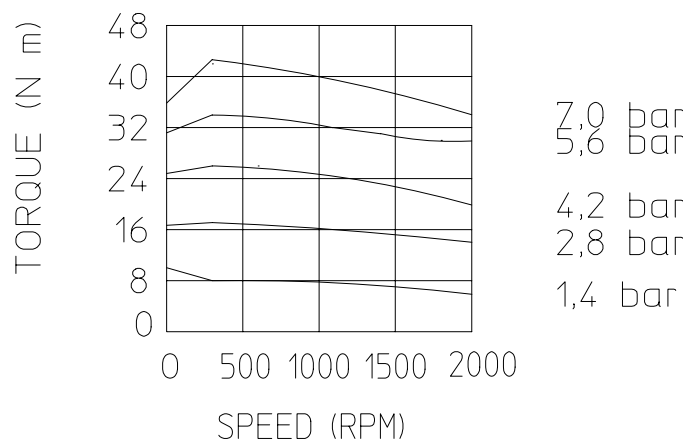
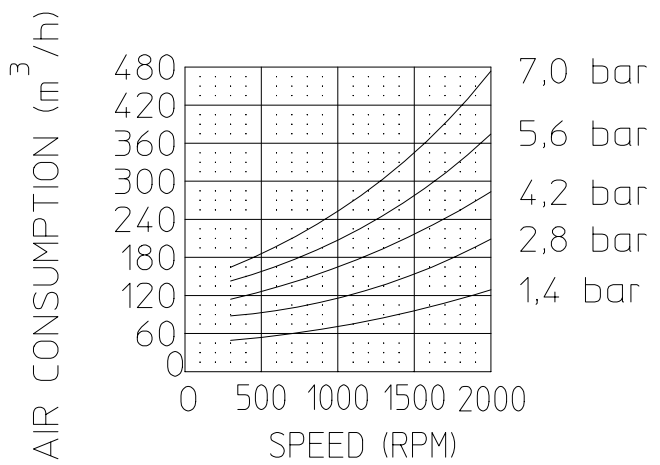
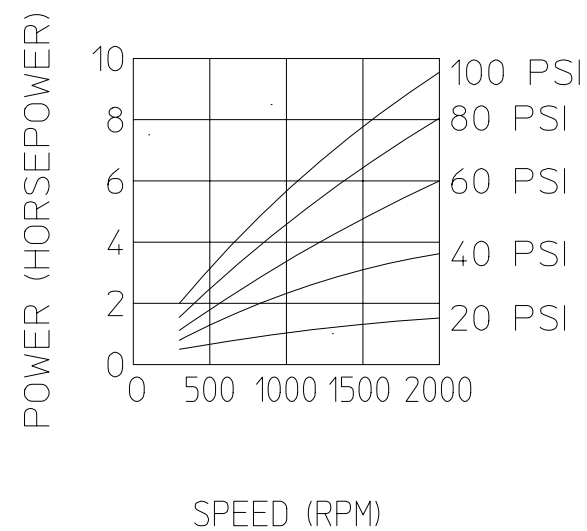
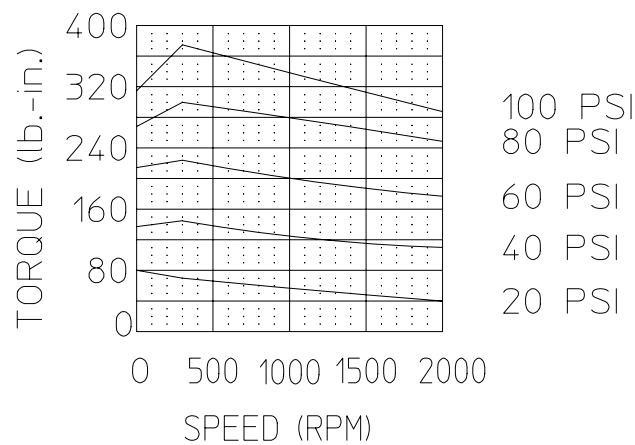
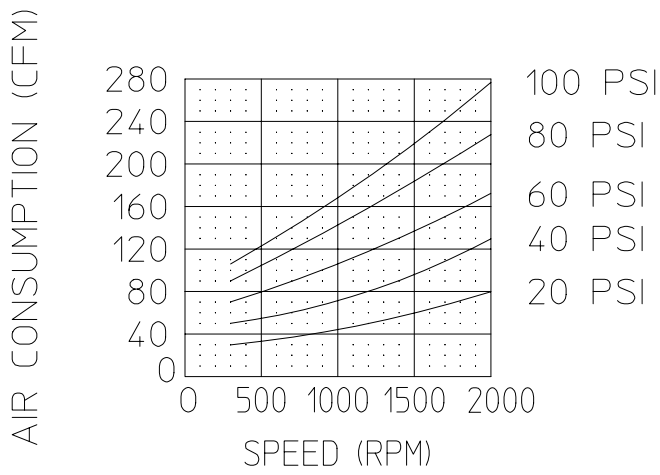
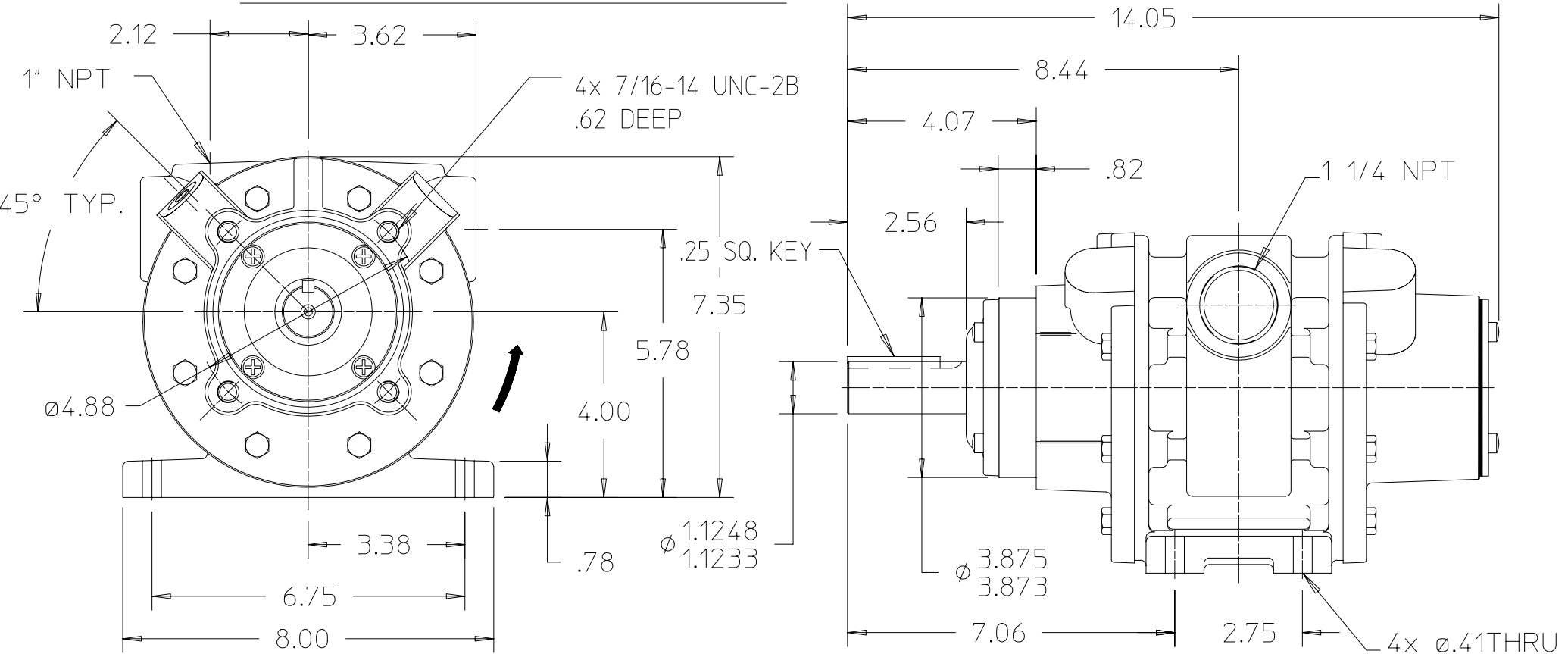
REV.:

A

NOTES:

1. TECHNICAL DATA SUBJECT TO CHANGE WITHOUT NOTICE.
2. CONFORMS TO EUROPEAN STANDARD EN13463-1
 NON-ELECTRICAL EQUIPMENT FOR EXPLOSIVE
 ATMOSPHERES GROUP 11 CAT 2 (GAS & DUST),
 PROTECTED BY CONSTRUCTION (SURFACE TEMP. RATED 135C).

SOUND LEVEL 113 dB(A) MAX.
 NORMAL AMBIENT +1 degC - +120 degC
 RELATIVE HUMIDITY 0% - 100%
 ENVIRONMENT HAZARDOUS AMBIENT COMBUSTIBLE
GAS AND DUST +0°C TO +40°C



Product Specifications

Model Number	MAX. PRESS.		MAX. SPEED	HP	kW	Net Wt.	
	bar.	PSI				lbs.	kg
16AM-FCC-1	7,0	100	2,000	9.0	6,73	73	33.1



GAST MANUFACTURING, INC.
 A Unit of IDEX Corporation
 Post Office Box 97
 Benton Harbor, Michigan
 Ph: 269/926-6171
 Fax: 269/925-8288

PART NUMBER:

LTD230

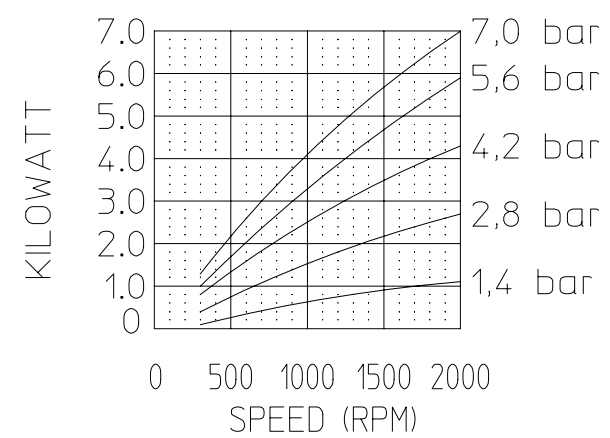
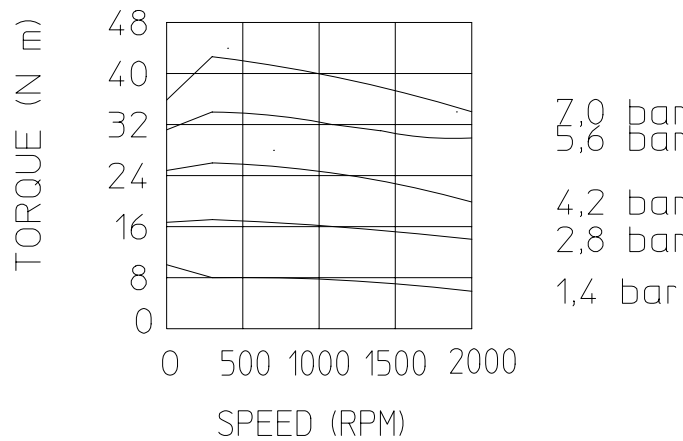
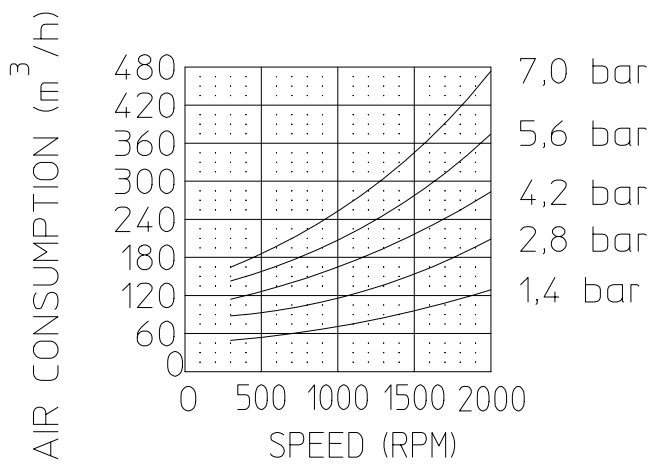
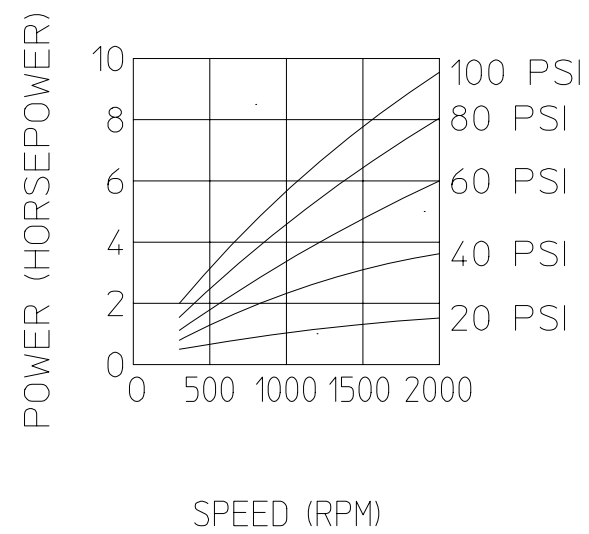
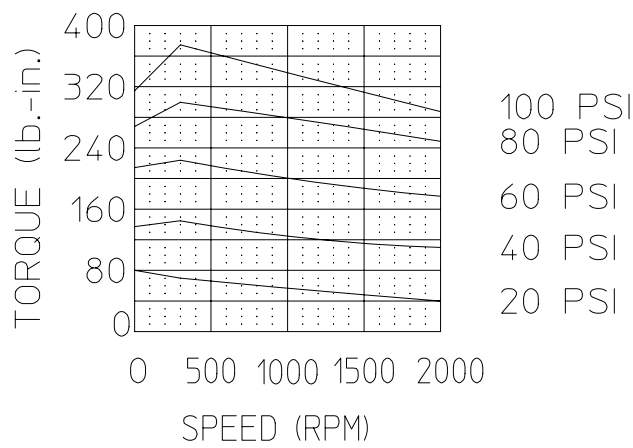
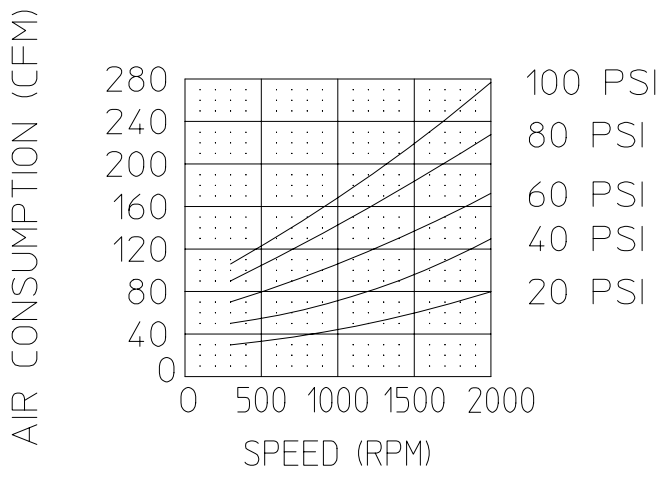
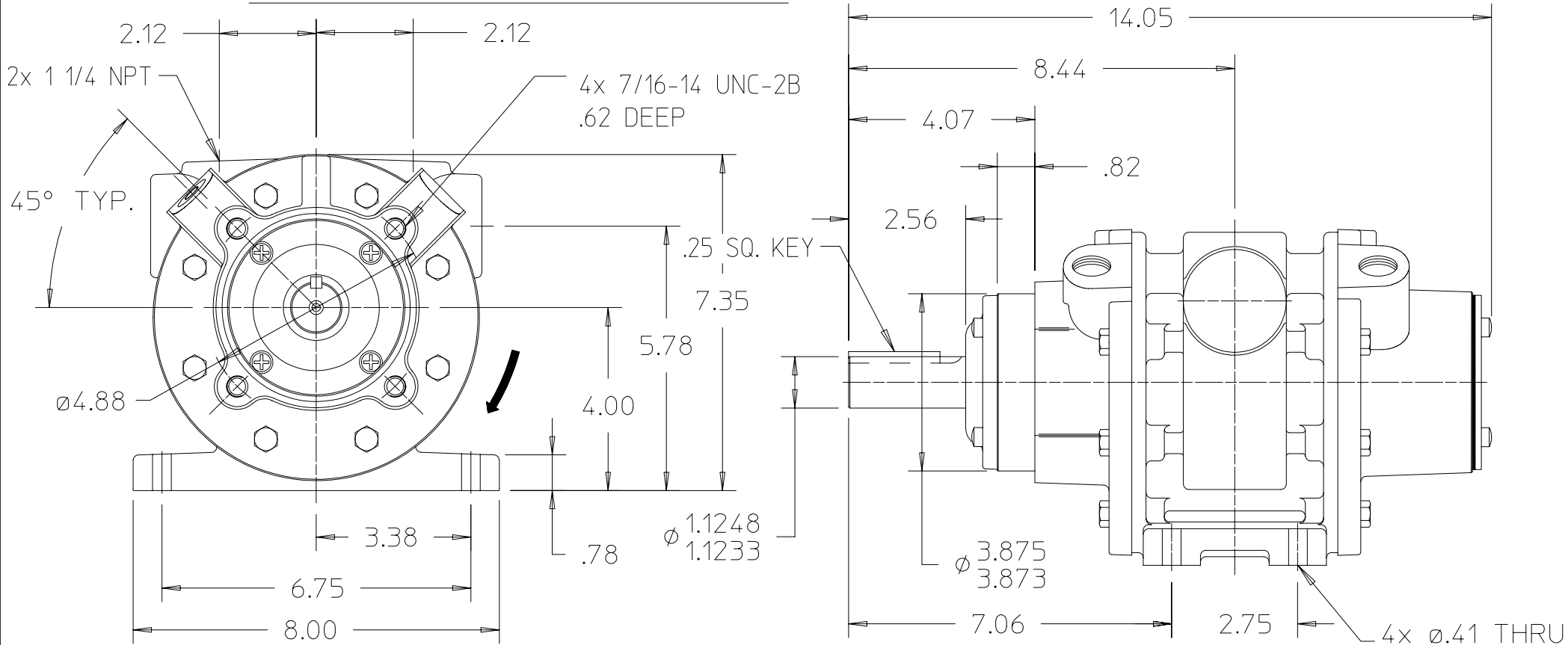
REV.:

A

NOTES:

1. TECHNICAL DATA SUBJECT TO CHANGE WITHOUT NOTICE.
2. CONFORMS TO EUROPEAN STANDARD EN13463-1
 NON-ELECTRICAL EQUIPMENT FOR EXPLOSIVE
 ATMOSPHERES GROUP 11 CAT 2 (GAS & DUST),
 PROTECTED BY CONSTRUCTION (SURFACE TEMP. RATED 135C).

SOUND LEVEL 113 dB(A) MAX.
 NORMAL AMBIENT +1 degC - +120 degC
 RELATIVE HUMIDITY 0% - 100%
 ENVIRONMENT HAZARDOUS AMBIENT COMBUSTIBLE
GAS AND DUST +0°C TO +40°C



Product Specifications

Model Number	MAX. PRESS.		MAX. SPEED	HP	kW	Net Wt.	
	bar.	PSI				lbs.	kg
16AM-FCW-28	7,0	100	2,000	9.0	6,73	73	33.1



Post Office Box 97
 Benton Harbor, Michigan
 Ph: 616/926-6171
 Fax: 616/925-8288

PART NUMBER:

LTD110

REV.

D

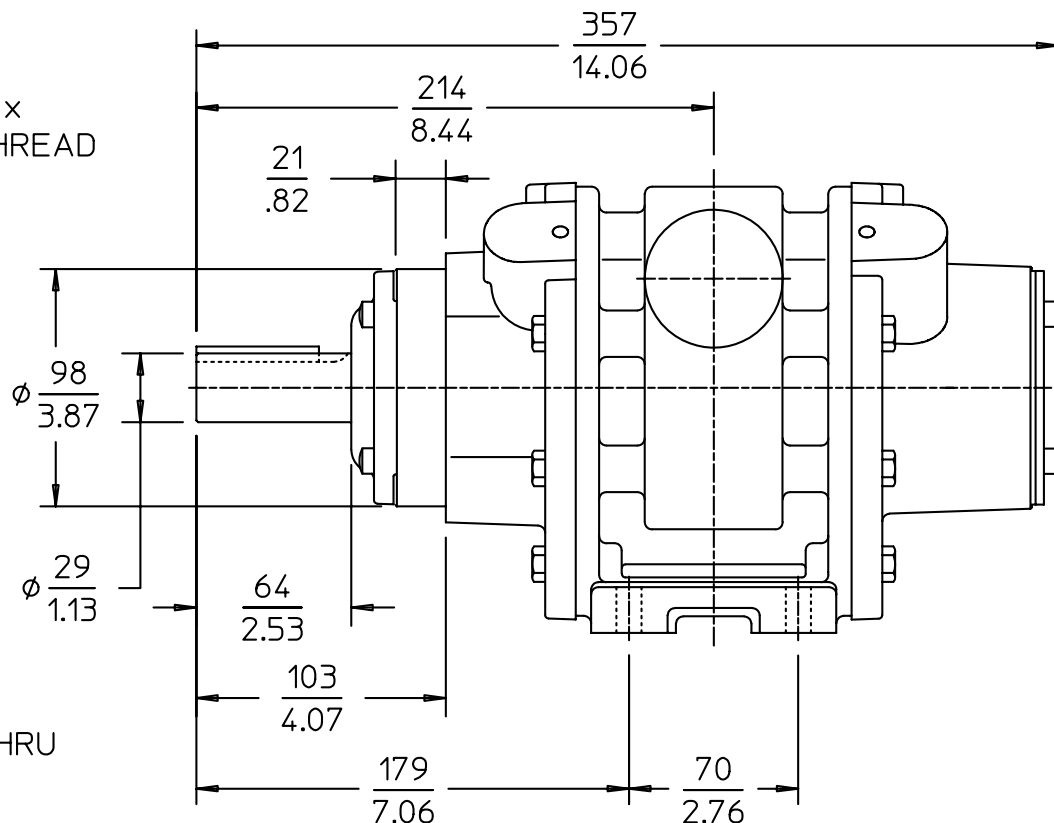
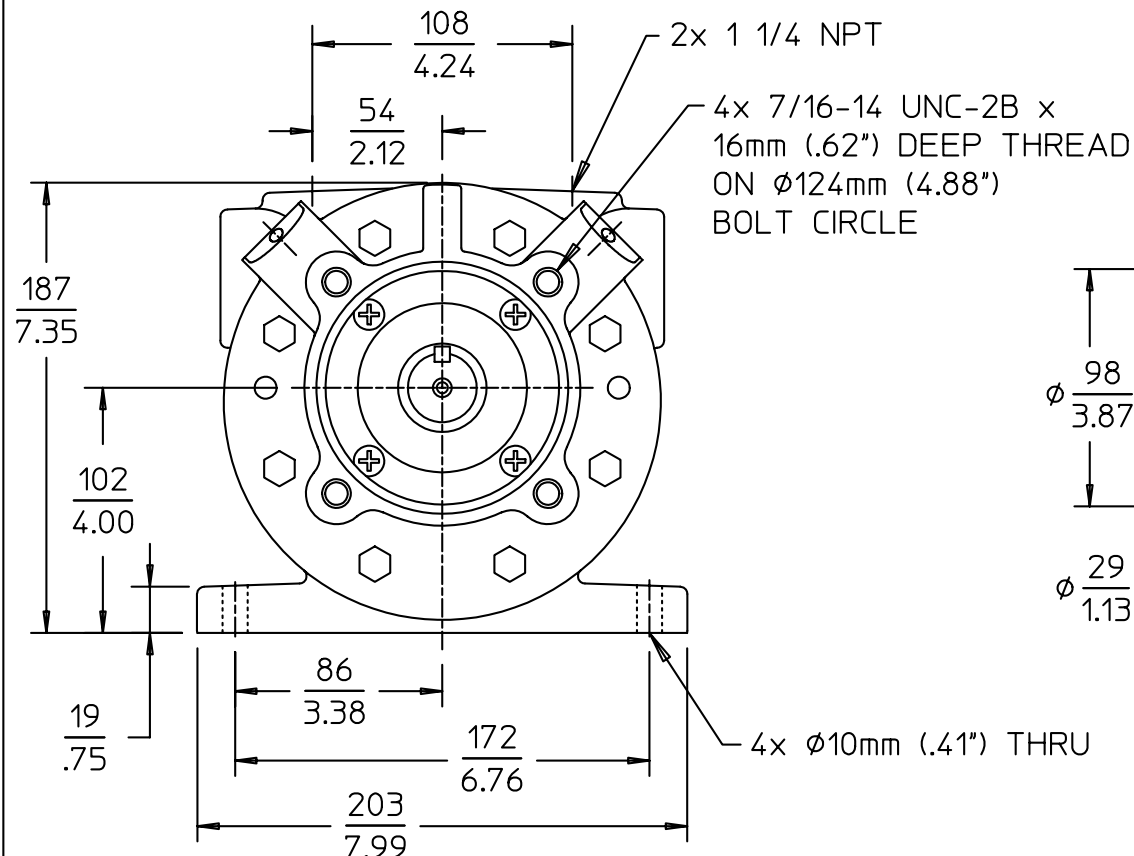
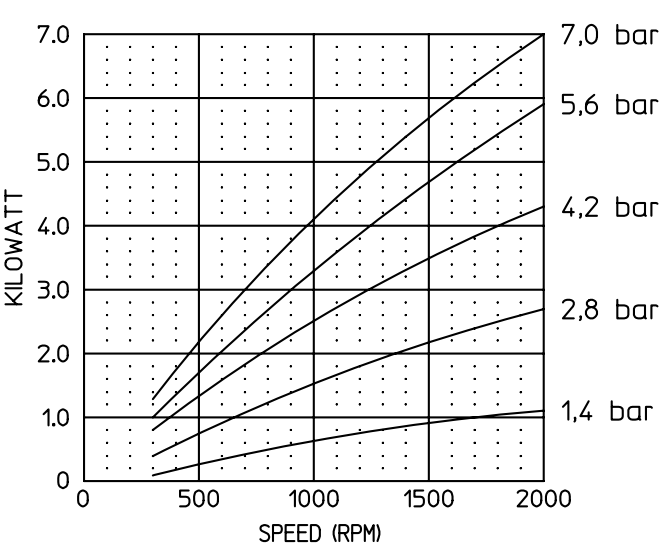
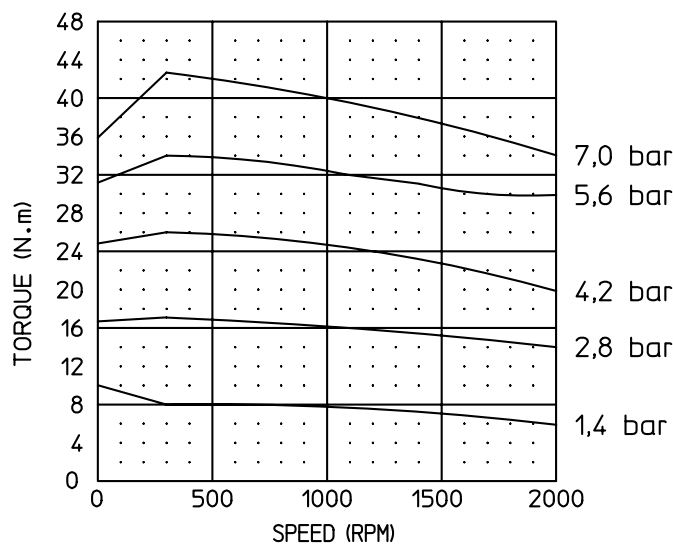
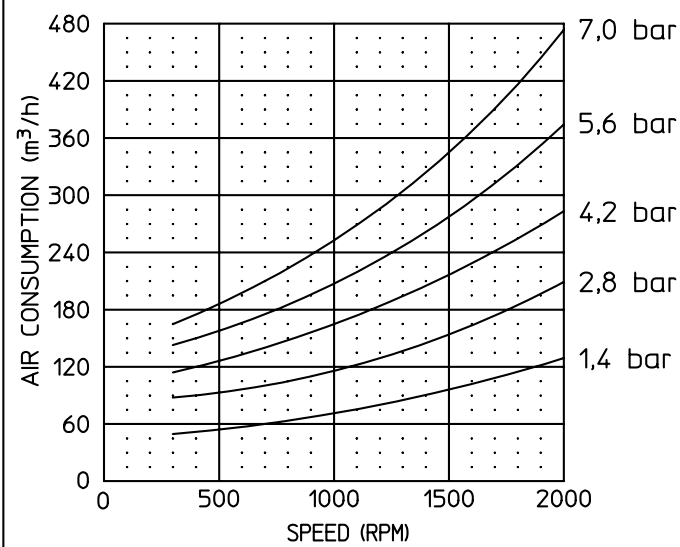
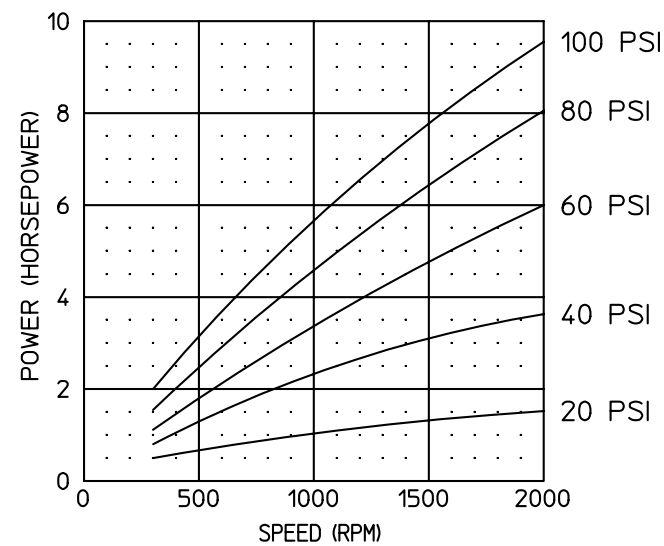
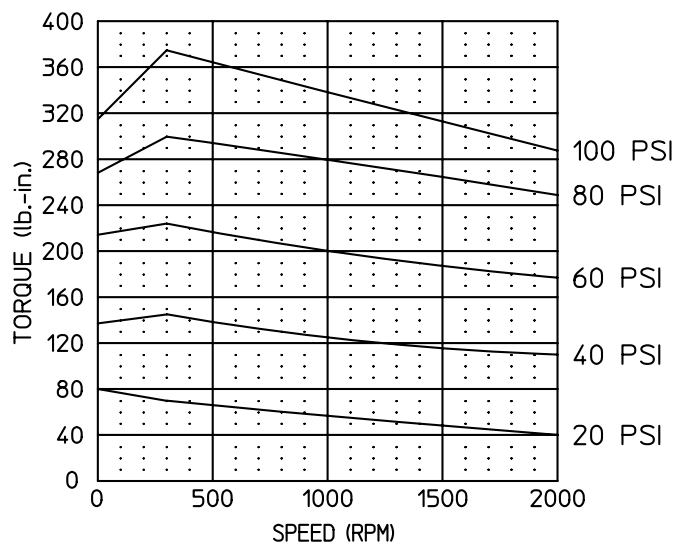
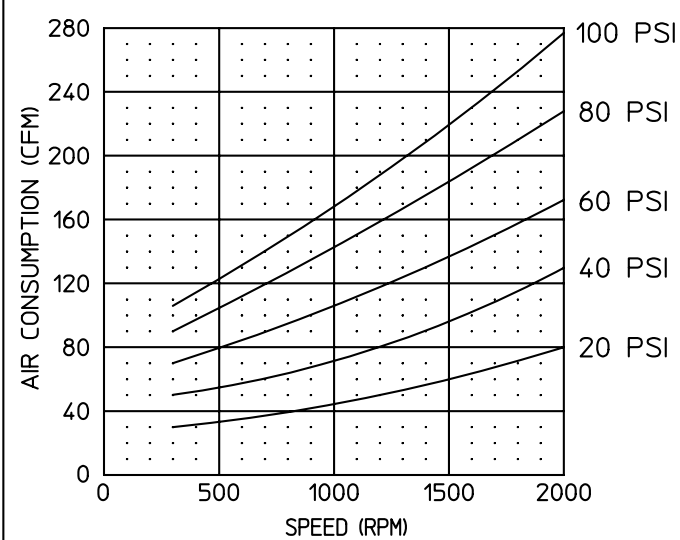
Product Specifications

Model Number	MAX. PRESS.		MAX. SPEED	HP	kW	Net Wt.	
	bar.	PSI				lbs.	kg
16AM-FRV-2	7,0	100	2,000 RPM	9.0	6,7	73	33,1
16AM-FRV-32	7,0	100	2,000 RPM	9.0	6,7	73	33,1

* TECHNICAL DATA SUBJECT TO CHANGE WITHOUT NOTICE.

SOUND LEVEL 113 dba MAX.
 NORMAL AMBIENT 1° C. - 120° C.
 RELATIVE HUMIDITY 0% - 100%
 ENVIRONMENT HAZARDOUS AMBIENT COMBUSTIBLE GAS AND DUST +0C TO +40C

CONFORMS TO EUROPEAN STANDARD EN13463-1
 NON-ELECTRICAL EQUIPMENT FOR EXPLOSIVE
 ATMOSPHERES GROUP 11 CAT 2 (GAS & DUST).
 PROTECTED BY CONSTRUCTION
 (SURFACE TEMP. RATED 135C).





Post Office Box 97
 Benton Harbor, Michigan
 Ph: 616/926-6171
 Fax: 616/925-8288

Product Specifications

PART NUMBER: LTD111
 REVISION: F

Model Number	MAX. PRESS.		MAX. SPEED	HP	kW	Net Wt.	
	bar.	PSI				lbs.	kg
16AM-FRV-13	7,0	100	2,000 RPM	9.0	6,7	80	36.3
16AM-FRV-33	7,0	100	2,000 RPM	9.0	6,7	80	36.3
16AM-FRV-13B	7,0	100	2,000 RPM	9.0	6,7	80	36.3

* TECHNICAL DATA SUBJECT TO CHANGE WITHOUT NOTICE.

SOUND LEVEL 113 dba MAX.
 NORMAL AMBIENT 1° C. - 120° C.
 RELATIVE HUMIDITY 0% - 100%
 ENVIRONMENT HAZARDOUS AMBIENT COMBUSTIBLE
GAS AND DUST +0C TO +40C

CONFORMS TO EUROPEAN STANDARD EN13463-1
 NON-ELECTRICAL EQUIPMENT FOR EXPLOSIVE
 ATMOSPHERES GROUP 11 CAT 2 (GAS & DUST).
 PROTECTED BY CONSTRUCTION
 (SURFACE TEMP. RATED 135C).

