



GAST MANUFACTURING, INC.  
 A Unit of IDEX Corporation  
 Post Office Box 97  
 Benton Harbor, Michigan  
 Ph: 269/926-6171  
 Fax: 269/925-8288

PART NUMBER:

RTD761

REV.:

A

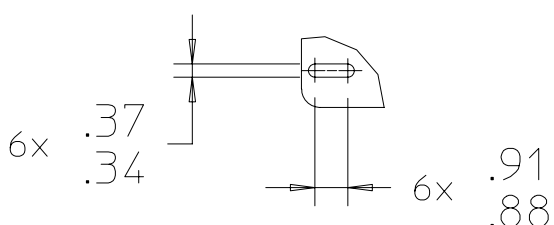
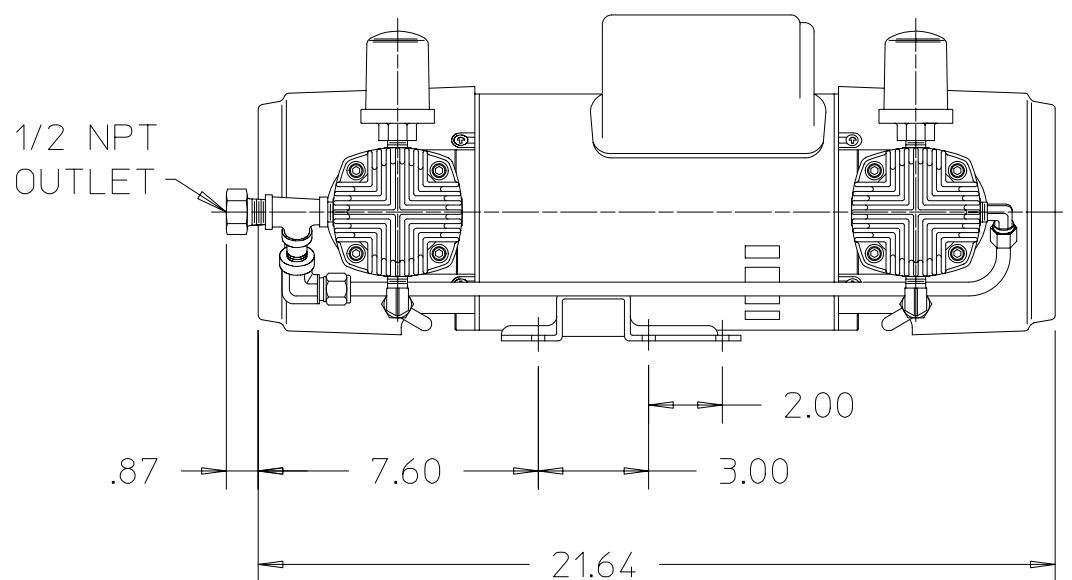
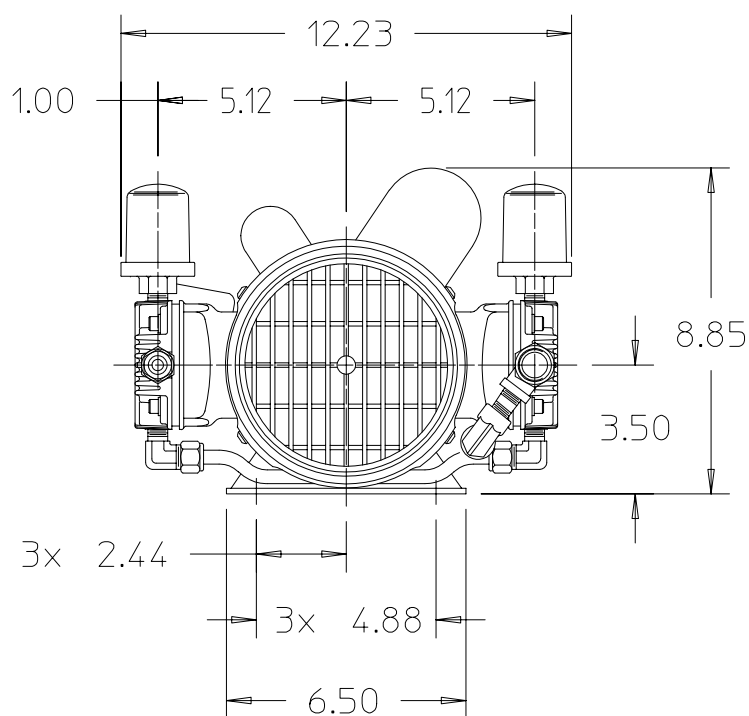
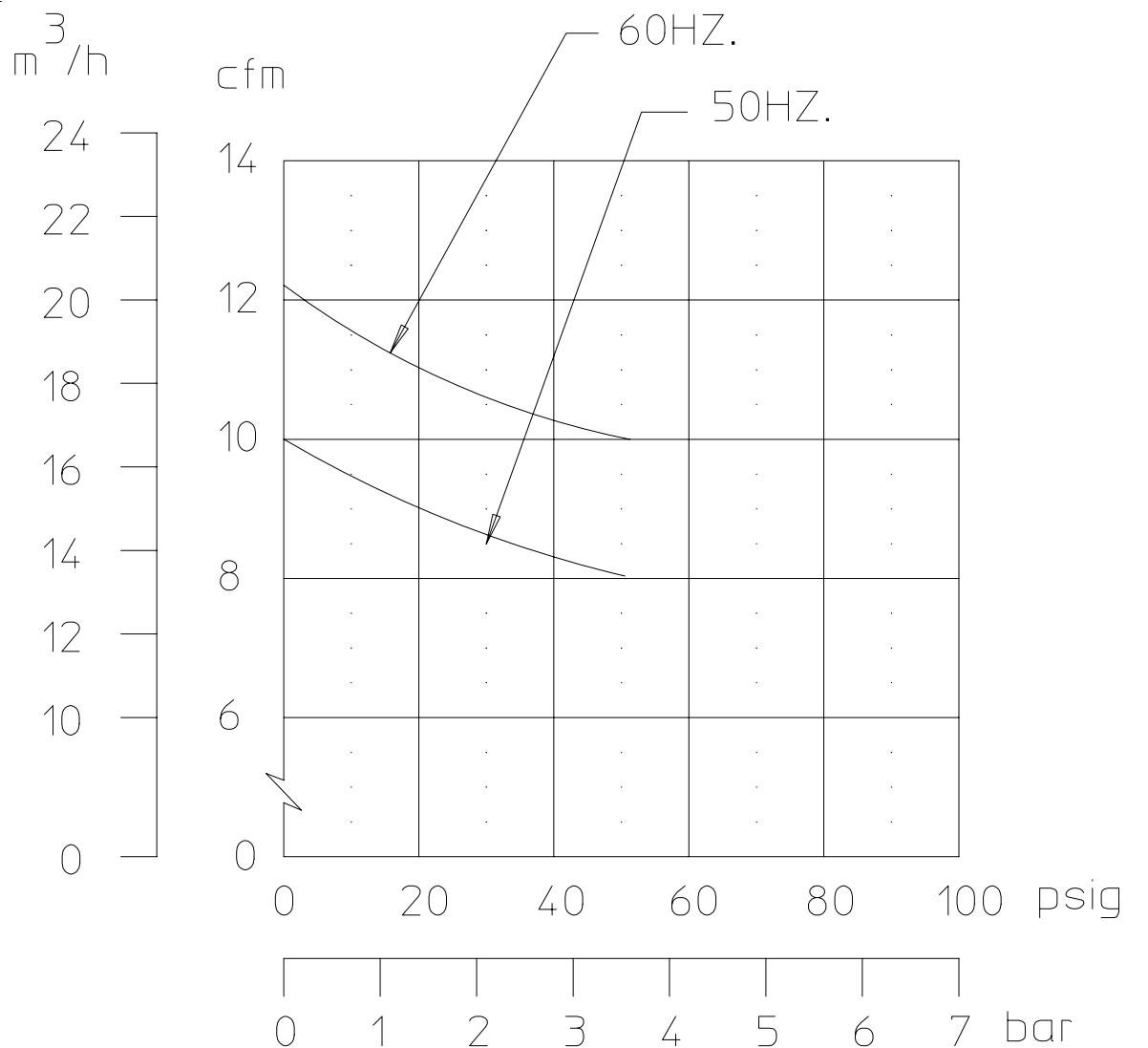
## Product Specifications

Model Number	Motor	RPM		HP	kW	Net Wt.	
		60HZ.	50HZ.			lbs.	kg
8LDF-10-M850X	115/230 60HZ. 110/220 50HZ.	1725	1425	2.0	1.5	80	36.3

NOTES:

1. TECHNICAL DATA SUBJECT TO CHANGE WITHOUT NOTICE.

SOUND LEVEL 75-81 dB(A)  
 NORMAL AMBIENT +5 degC - +40 degC  
 RELATIVE HUMIDITY 20% - 80%  
 ENVIRONMENT Clean Dust Free





GAST MANUFACTURING, INC.  
 A Unit of IDEX Corporation  
 Post Office Box 97  
 Benton Harbor, Michigan  
 Ph: 269/926-6171  
 Fax: 269/925-8288

PART NO:

RTD345

REV.

B

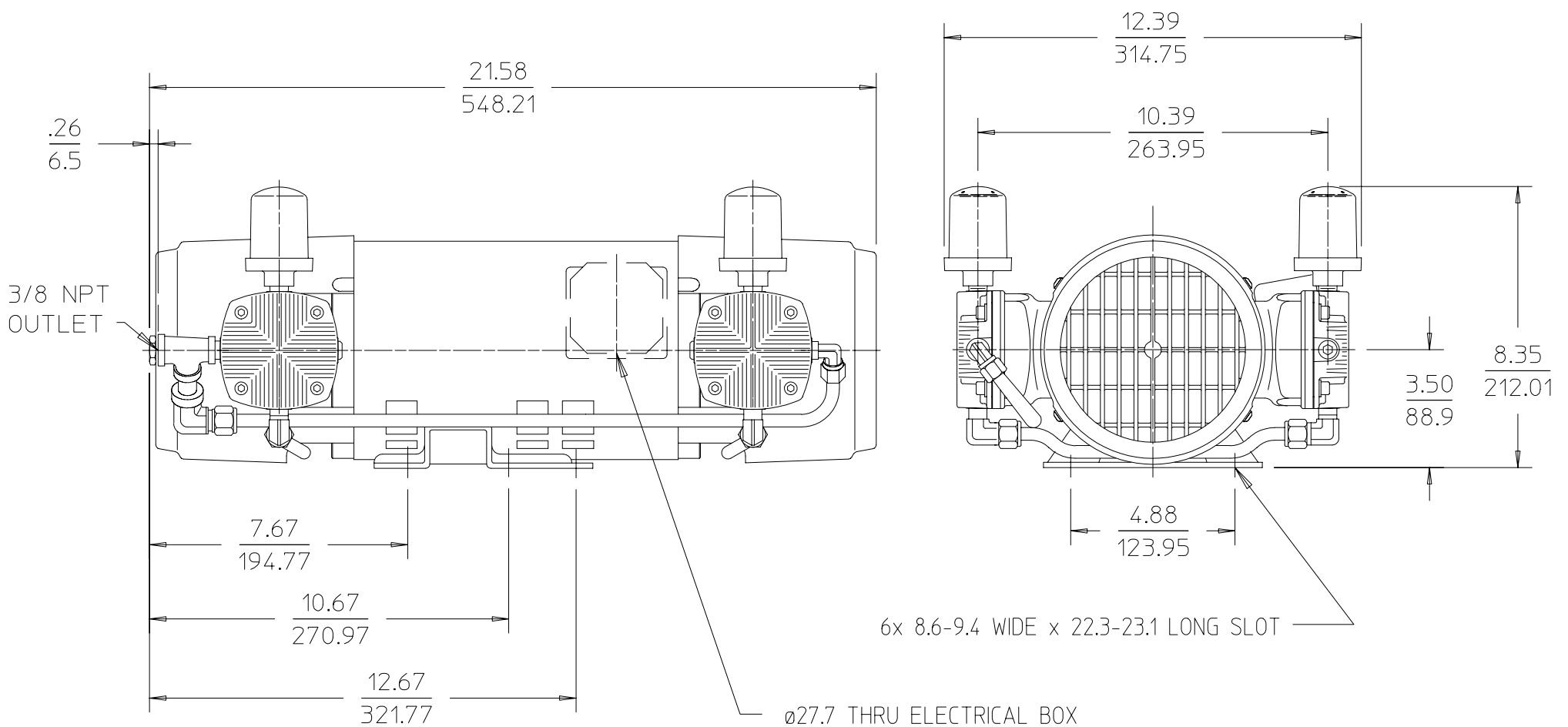
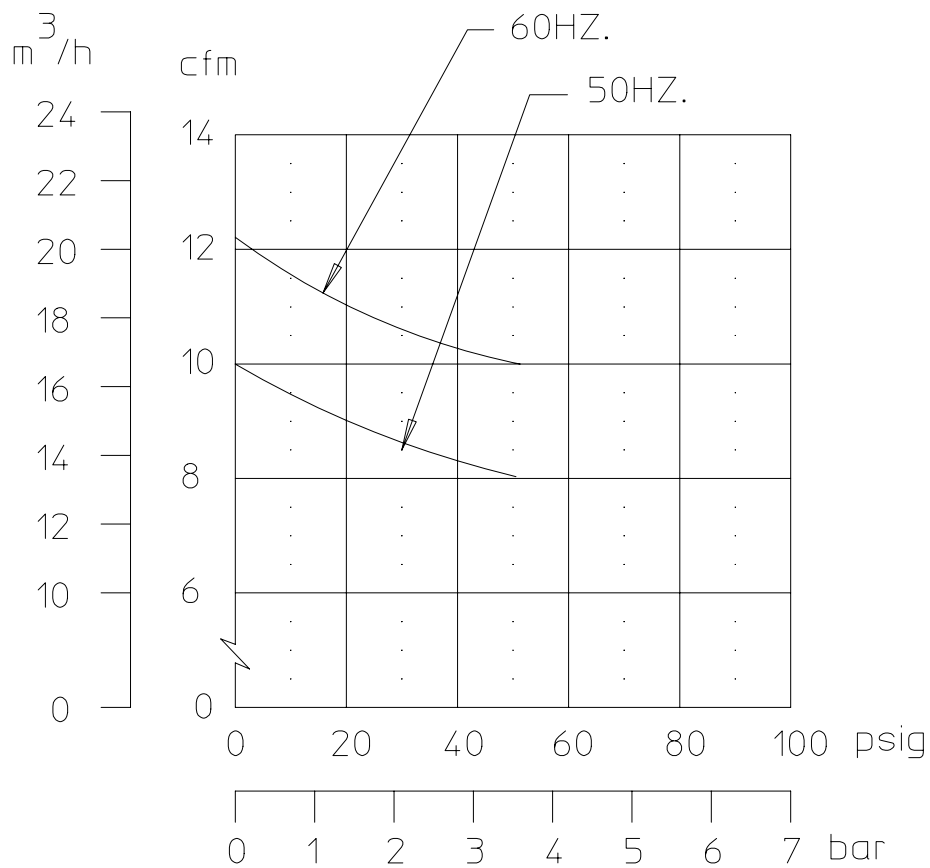
Product Specifications

Model Number	Motor	RPM		HP	kW	Net lbs.	Wt. kg
		60 cycle	50 cycle				
8LDF-10-M853	200-240/380-440 50 Hz. 3 Ph 230/460 60 Hz. 3Ph	1725	1425	2.0	1.5	66	30

SOUND LEVEL 76 dB(A)  
 NORMAL AMBIENT +5 degC - +40 degC  
 RELATIVE HUMIDITY 20% - 80%  
 ENVIRONMENT Clean Dust Free

- NOTES:
1. TECHNICAL DATA SUBJECT TO CHANGE WITHOUT NOTICE.
  2. ALL DIMENSIONS ARE FOR REFERENCE USE ONLY.
  3. PRODUCT DIMENSIONS: U.S. IMPERIAL (inches) METRIC (mm).

Product Performance



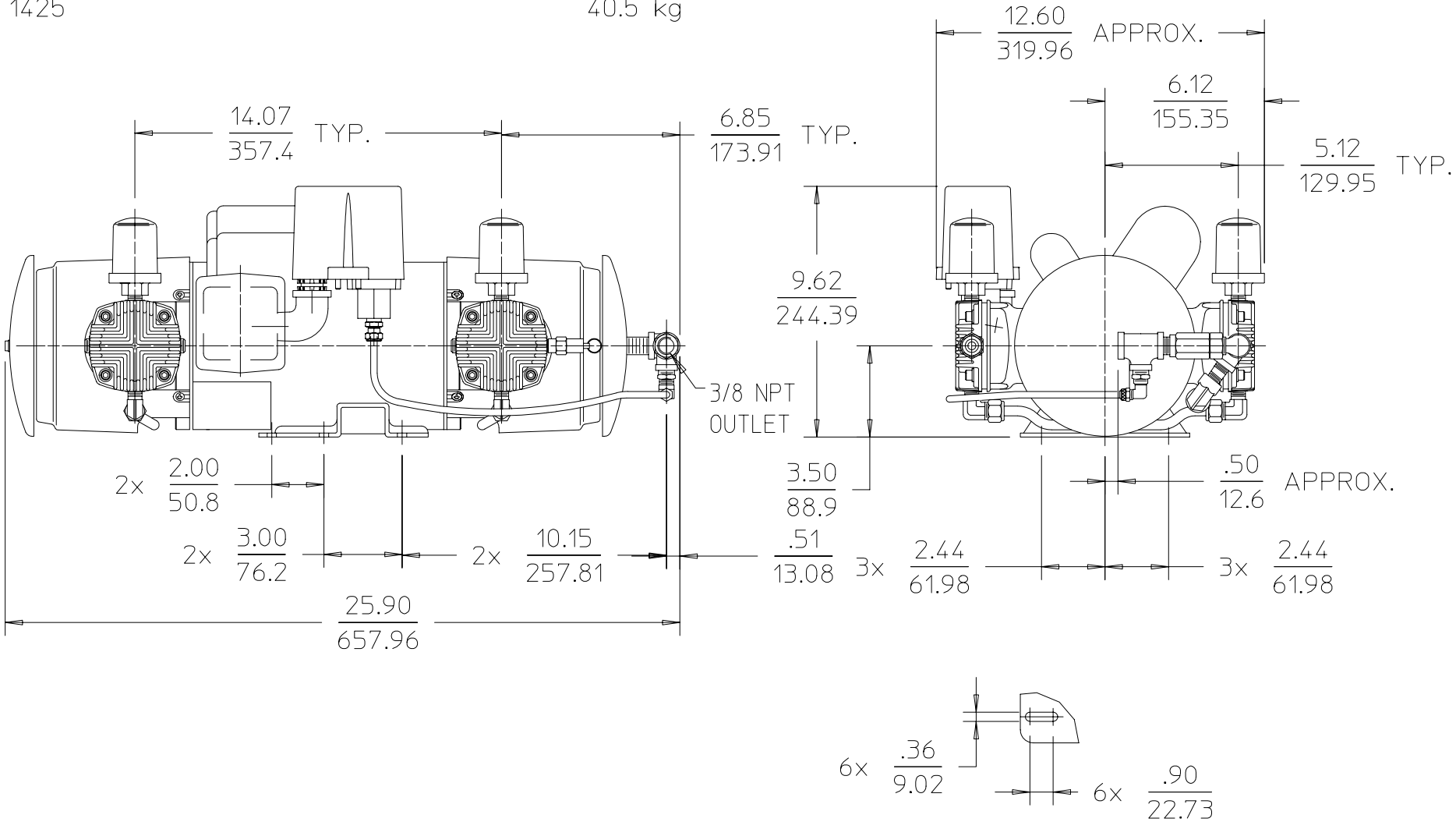
# Product Specifications



GAST MANUFACTURING, INC.  
 A Unit of IDEX Corporation  
 Post Office Box 97  
 Benton Harbor, Michigan  
 Ph: 269/926-6171  
 Fax: 269/925-8288

Model	V	HP	kW	Hz	Part Number:	Revision
8LDF-46S-M850X	115/230	2.0	2.74	50/60	RTD732	A

1725  
 75-81 dBA  
 +5 °C  
 20-80  
 90 lbs.  
 40.5 kg



**NOTES:**

1. ALL DIMENSIONS ARE FOR REFERENCE USE ONLY.
2. PRODUCT DIMENSIONS: U.S. IMPERIAL (inches) METRIC (mm).
3. TECHNICAL DATA SUBJECT TO CHANGE WITHOUT NOTICE.
4. ENVIRONMENT: CLEAN DUST FREE.
5. FACTORY SETTING: CUT-IN 40 PSI± 2 PSI/CUT-OUT 50 PSI ±2 PSI.

**PRODUCT PERFORMANCE**

